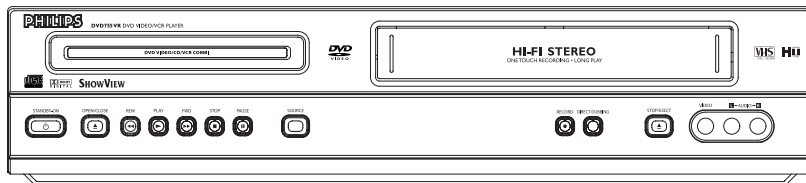
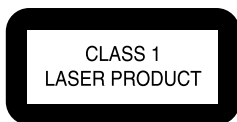


Service
 Service
Service



Service Manual



Contents

Chapter	/00	PAL I
Sec. 1: Adjustment Procedure	/05	PAL B/G
Schematic Diagrams and CBA's	/02	PAL B/G,L,L' & SECAM B/G,L,L'
Exploded Views		
Mechanical and Electrical Parts Lists		
Sec. 2: Standard Maintenance		
Mechanism Alignment Procedures		
Disassembly / Assembly of Mechanism		
Deck Exploded Views		
Sec. 3: Spare Parts List		
Revision List		

Survey of versions:

©Copyright 2003 Philips Consumer Electronics B.V. Eindhoven, The Netherlands.
 All rights reserved. No part of this publication may be reproduced, stored in a retrieval system or transmitted, in any form or by any means, electronic, mechanical, photocopying, or otherwise without the prior permission of Philips.



MAIN SECTION

DIGITAL VIDEO DISC PLAYER & VIDEO CASSETTE RECORDER

Sec. 1: Main Section

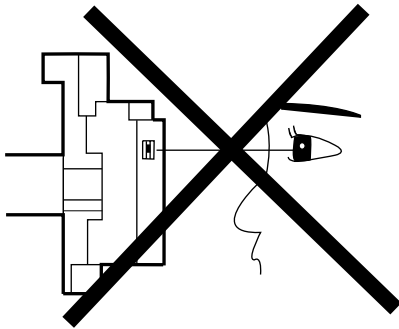
- Adjustment Procedures
- Schematic Diagrams and CBA's
- Exploded Views
- Mechanical and Electrical Parts List

TABLE OF CONTENTS

LASER BEAM SAFETY PRECAUTIONS	1-1-1
IMPORTANT SAFETY PRECAUTIONS	1-2-1
STANDARD NOTES FOR SERVICING	1-3-1
PREPARATION FOR SERVICING	1-4-1
OPERATING CONTROLS AND FUNCTIONS	1-5-1
SIGNAL NAME ABBREVIATIONS	1-6-1
CABINET DISASSEMBLY INSTRUCTIONS	1-7-1
ELECTRICAL ADJUSTMENT INSTRUCTIONS	1-8-1
FIRMWARE RENEWAL MODE	1-9-1
BLOCK DIAGRAMS	1-10-1
SCHEMATIC DIAGRAMS / CBA'S AND TEST POINTS	1-11-1
WAVEFORMS	1-12-1
WIRING DIAGRAM	1-13-1
SYSTEM CONTROL TIMING CHARTS	1-14-1
IC PIN FUNCTION DESCRIPTIONS	1-15-1
LEAD IDENTIFICATIONS	1-16-1
ELECTRICAL PARTS LIST	1-17-1
EXPLODED VIEWS	1-18-1
SET MECHANICAL PARTS LIST	1-19-1

LASER BEAM SAFETY PRECAUTIONS

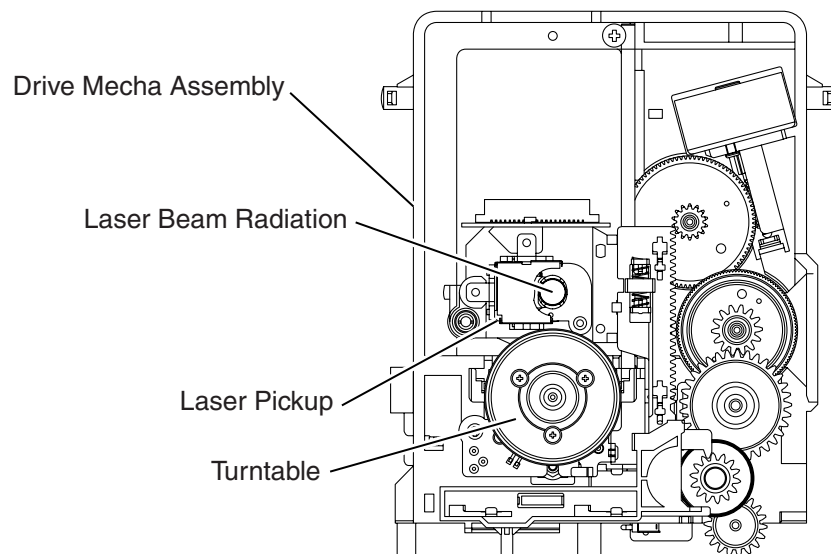
This DVD player uses a pickup that emits a laser beam.



Do not look directly at the laser beam coming from the pickup or allow it to strike against your skin.

The laser beam is emitted from the location shown in the figure. When checking the laser diode, be sure to keep your eyes at least 30cm away from the pickup lens when the diode is turned on. Do not look directly at the laser beam.

Caution: Use of controls and adjustments, or doing procedures other than those specified herein, may result in hazardous radiation exposure.



IMPORTANT SAFETY PRECAUTIONS

Product Safety Notice

Some electrical and mechanical parts have special safety-related characteristics which are often not evident from visual inspection, nor can the protection they give necessarily be obtained by replacing them with components rated for higher voltage, wattage, etc. Parts that have special safety characteristics are identified by a \triangle on schematics and in parts lists. Use of a substitute replacement that does not have the same safety characteristics as the recommended replacement part might create shock, fire, and/or other hazards. The Product's Safety is under review continuously and new instructions are issued whenever appropriate. Prior to shipment from the factory, our products are carefully inspected to confirm with the recognized product safety and electrical codes of the countries in which they are to be sold. However, in order to maintain such compliance, it is equally important to implement the following precautions when a set is being serviced.

Precautions during Servicing

- A.** Parts identified by the \triangle symbol are critical for safety. Replace only with part number specified.
- B.** In addition to safety, other parts and assemblies are specified for conformance with regulations applying to spurious radiation. These must also be replaced only with specified replacements.
Examples: RF converters, RF cables, noise blocking capacitors, and noise blocking filters, etc.
- C.** Use specified internal wiring. Note especially:
 - 1) Wires covered with PVC tubing
 - 2) Double insulated wires
 - 3) High voltage leads
- D.** Use specified insulating materials for hazardous live parts. Note especially:
 - 1) Insulation tape
 - 2) PVC tubing
 - 3) Spacers
 - 4) Insulators for transistors
- E.** When replacing AC primary side components (transformers, power cord, etc.), wrap ends of wires securely about the terminals before soldering.
- F.** Observe that the wires do not contact heat producing parts (heatsinks, oxide metal film resistors, fusible resistors, etc.).
- G.** Check that replaced wires do not contact sharp edges or pointed parts.
- H.** When a power cord has been replaced, check that 5 - 6 kg of force in any direction will not loosen it.
- I.** Also check areas surrounding repaired locations.
- J.** Use care that foreign objects (screws, solder droplets, etc.) do not remain inside the set.
- K.** Crimp type wire connector
The power transformer uses crimp type connectors which connect the power cord and the primary side of the transformer. When replacing the transformer, follow these steps carefully and precisely to prevent shock hazards.
Replacement procedure
 - 1) Remove the old connector by cutting the wires at a point close to the connector.
Important: Do not re-use a connector. (Discard it.)
 - 2) Strip about 15 mm of the insulation from the ends of the wires. If the wires are stranded, twist the strands to avoid frayed conductors.
 - 3) Align the lengths of the wires to be connected. Insert the wires fully into the connector.
 - 4) Use a crimping tool to crimp the metal sleeve at its center. Be sure to crimp fully to the complete closure of the tool.
- L.** When connecting or disconnecting the internal connectors, first, disconnect the AC plug from the AC outlet.

Safety Check after Servicing

Examine the area surrounding the repaired location for damage or deterioration. Observe that screws, parts, and wires have been returned to their original positions. Afterwards, do the following tests and confirm the specified values to verify compliance with safety standards.

1. Clearance Distance

When replacing primary circuit components, confirm specified clearance distance (d) and (d') between soldered terminals, and between terminals and surrounding metallic parts. (See Fig. 1)

Table 1 : Ratings for selected area

AC Line Voltage	Clearance Distance (d) (d')
110 to 240 V	$\geq 3 \text{ mm}(d)$ $\geq 6 \text{ mm}(d')$

Note: This table is unofficial and for reference only.
Be sure to confirm the precise values.

2. Leakage Current Test

Confirm the specified (or lower) leakage current between B (earth ground, power cord plug prongs) and externally exposed accessible parts (RF terminals, antenna terminals, video and audio input and output terminals, microphone jacks, earphone jacks, etc.) is lower than or equal to the specified value in the table below.

Measuring Method (Power ON) :

Insert load Z between B (earth ground, power cord plug prongs) and exposed accessible parts. Use an AC voltmeter to measure across the terminals of load Z. See Fig. 2 and the following table.

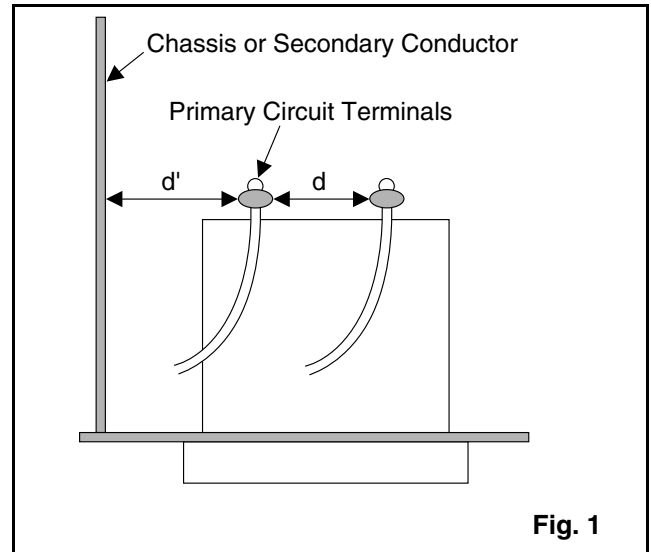


Fig. 1

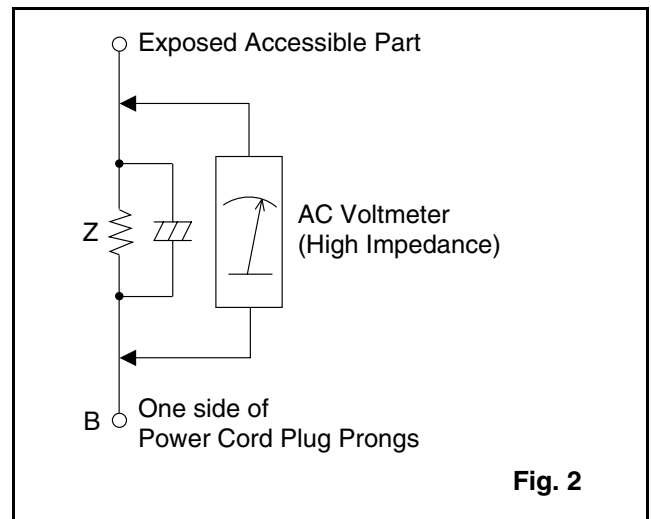


Fig. 2

Table 2: Leakage current ratings for selected areas

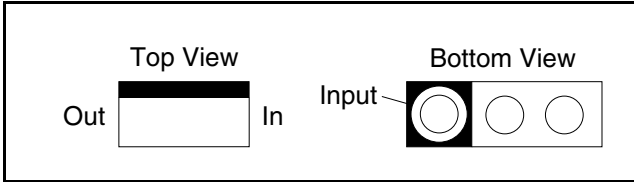
AC Line Voltage	Load Z	Leakage Current (i)	One side of power cord plug prongs (B) to:
110 to 240 V	2k Ω RES. Connected in parallel	$i \leq 0.7 \text{ mA AC Peak}$ $i \leq 2 \text{ mA DC}$	RF or Antenna terminals
	50k Ω RES. Connected in parallel	$i \leq 0.7 \text{ mA AC Peak}$ $i \leq 2 \text{ mA DC}$	A/V Input, Output

Note: This table is unofficial and for reference only. Be sure to confirm the precise values.

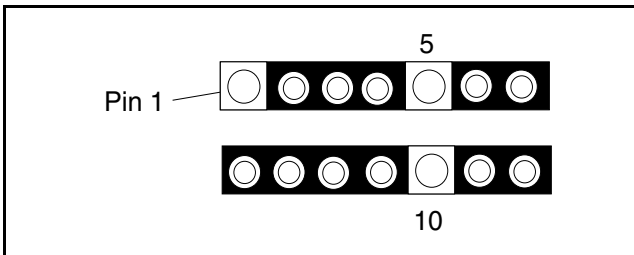
STANDARD NOTES FOR SERVICING

Circuit Board Indications

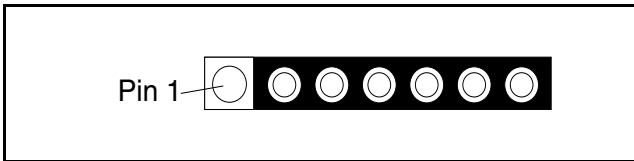
- a. The output pin of the 3 pin Regulator ICs is indicated as shown.



- b. For other ICs, pin 1 and every fifth pin are indicated as shown.

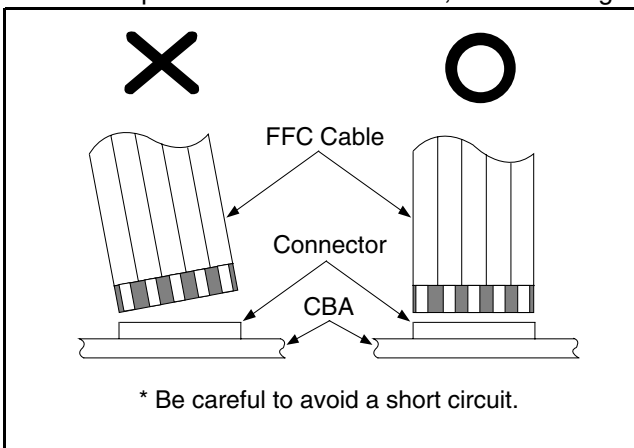


- c. The 1st pin of every male connector is indicated as shown.



Instructions for Connectors

- When you connect or disconnect the FFC (Flexible Foil Connector) cable, be sure to first disconnect the AC cord.
- FFC (Flexible Foil Connector) cable should be inserted parallel into the connector, not at an angle.



How to Remove / Install Flat Pack-IC

1. Removal

With Hot-Air Flat Pack-IC Desoldering Machine:

- Prepare the hot-air flat pack-IC desoldering machine, then apply hot air to the Flat Pack-IC (about 5 to 6 seconds). (Fig. S-1-1)

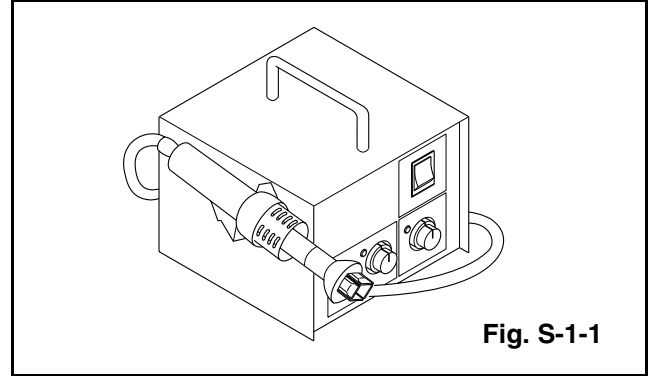


Fig. S-1-1

- Remove the flat pack-IC with tweezers while applying the hot air.
- Bottom of the flat pack-IC is fixed with glue to the CBA; when removing entire flat pack-IC, first apply soldering iron to center of the flat pack-IC and heat up. Then remove (glue will be melted). (Fig. S-1-6)
- Release the flat pack-IC from the CBA using tweezers. (Fig. S-1-6)

Caution:

- Do not supply hot air to the chip parts around the flat pack-IC for over 6 seconds because damage to the chip parts may occur. Put masking tape around the flat pack-IC to protect other parts from damage. (Fig. S-1-2)
- The flat pack-IC on the CBA is affixed with glue, so be careful not to break or damage the foil of each pin or the solder lands under the IC when removing it.

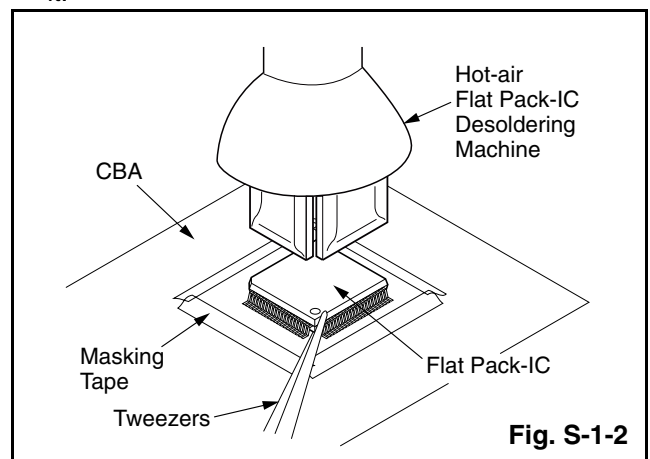
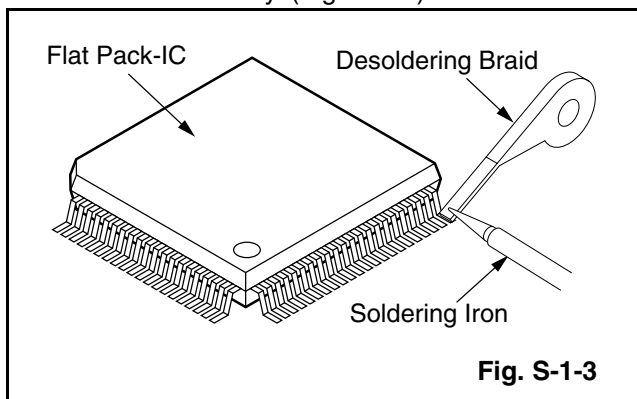


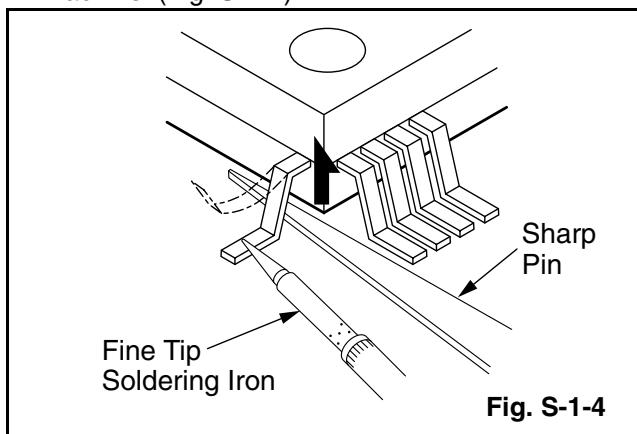
Fig. S-1-2

With Soldering Iron:

- (1) Using desoldering braid, remove the solder from all pins of the flat pack-IC. When you use solder flux which is applied to all pins of the flat pack-IC, you can remove it easily. (Fig. S-1-3)



- (2) Lift each lead of the flat pack-IC upward one by one, using a sharp pin or wire to which solder will not adhere (iron wire). When heating the pins, use a fine tip soldering iron or a hot air desoldering machine. (Fig. S-1-4)



- (3) Bottom of the flat pack-IC is fixed with glue to the CBA; when removing entire flat pack-IC, first apply soldering iron to center of the flat pack-IC and heat up. Then remove (glue will be melted). (Fig. S-1-6)
- (4) Release the flat pack-IC from the CBA using tweezers. (Fig. S-1-6)

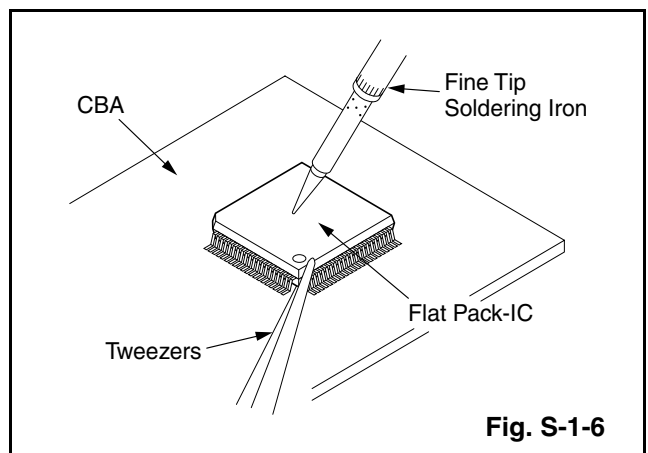
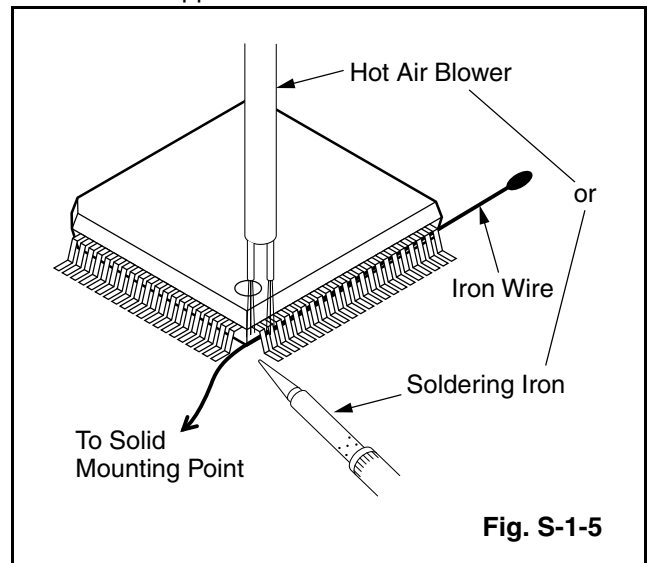
With Iron Wire:

- (1) Using desoldering braid, remove the solder from all pins of the flat pack-IC. When you use solder flux which is applied to all pins of the flat pack-IC, you can remove it easily. (Fig. S-1-3)
- (2) Affix the wire to a workbench or solid mounting point, as shown in Fig. S-1-5.
- (3) While heating the pins using a fine tip soldering iron or hot air blower, pull up the wire as the solder melts so as to lift the IC leads from the CBA contact pads as shown in Fig. S-1-5

- (4) Bottom of the flat pack-IC is fixed with glue to the CBA; when removing entire flat pack-IC, first apply soldering iron to center of the flat pack-IC and heat up. Then remove (glue will be melted). (Fig. S-1-6)
- (5) Release the flat pack-IC from the CBA using tweezers. (Fig. S-1-6)

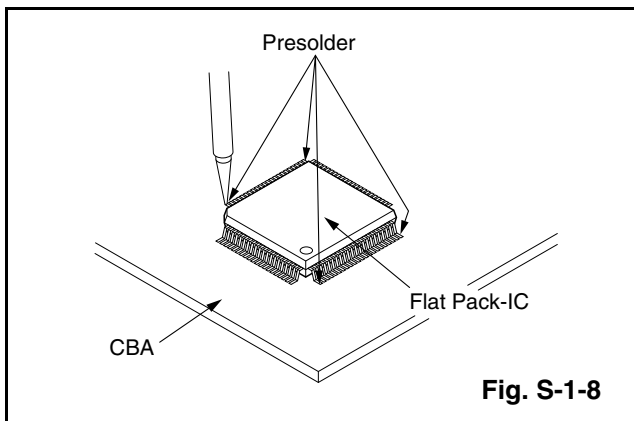
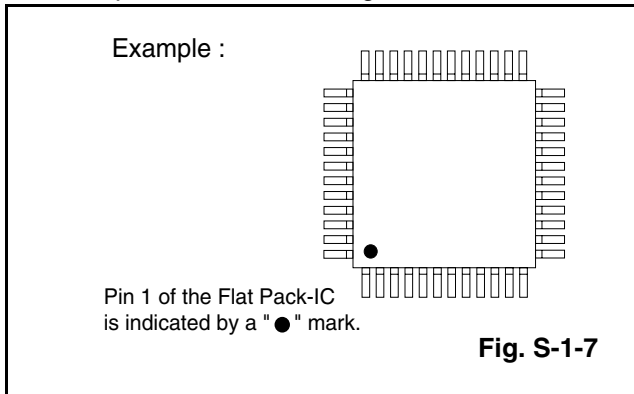
Note:

When using a soldering iron, care must be taken to ensure that the flat pack-IC is not being held by glue. When the flat pack-IC is removed from the CBA, handle it gently because it may be damaged if force is applied.



2. Installation

- (1) Using desoldering braid, remove the solder from the foil of each pin of the flat pack-IC on the CBA so you can install a replacement flat pack-IC more easily.
- (2) The "●" mark on the flat pack-IC indicates pin 1. (See Fig. S-1-7.) Be sure this mark matches the 1 on the PCB when positioning for installation. Then presolder the four corners of the flat pack-IC. (See Fig. S-1-8.)
- (3) Solder all pins of the flat pack-IC. Be sure that none of the pins have solder bridges.



Instructions for Handling Semi-conductors

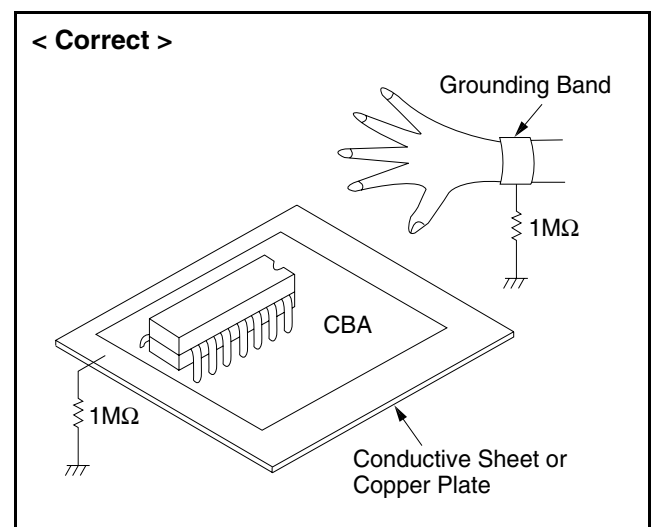
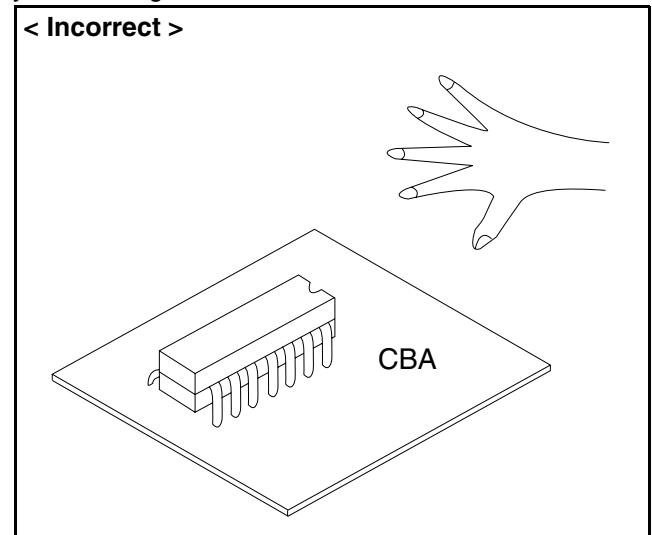
Electrostatic breakdown of the semi-conductors may occur due to a potential difference caused by electrostatic charge during unpacking or repair work.

1. Ground for Human Body

Be sure to wear a grounding band ($1M\Omega$) that is properly grounded to remove any static electricity that may be charged on the body.

2. Ground for Workbench

Be sure to place a conductive sheet or copper plate with proper grounding ($1M\Omega$) on the workbench or other surface, where the semi-conductors are to be placed. Because the static electricity charge on clothing will not escape through the body grounding band, be careful to avoid contacting semi-conductors with your clothing.



PREPARATION FOR SERVICING

How to Enter the Service Mode

About Optical Sensors

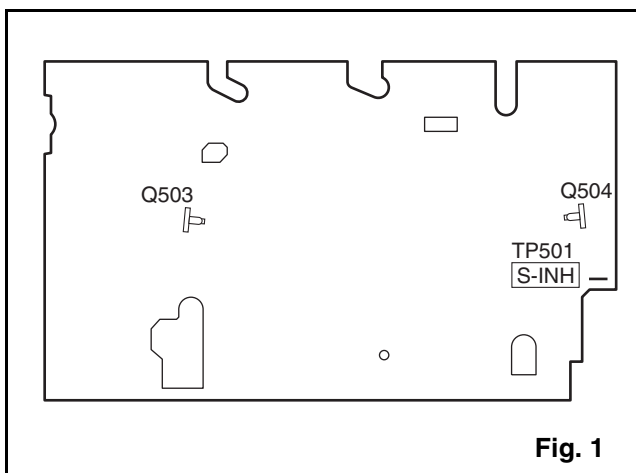
Caution:

An optical sensor system is used for the Tape Start and End Sensors on this equipment. Carefully read and follow the instructions below. Otherwise the unit may operate erratically.

What to do for preparation

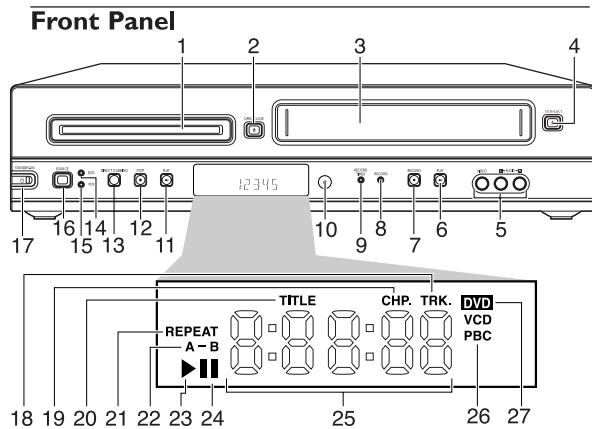
Insert a tape into the Deck Mechanism Assembly and press the PLAY button. The tape will be loaded into the Deck Mechanism Assembly. Make sure the power is on, connect TP501 (SENSOR INHIBITION) to GND. This will stop the function of Tape Start Sensor, Tape End Sensor and Reel Sensors. (If these TPs are connected before plugging in the unit, the function of the sensors will stay valid.) See Fig. 1.

Note: Because the Tape End Sensors are inactive, do not run a tape all the way to the start or the end of the tape to avoid tape damage.



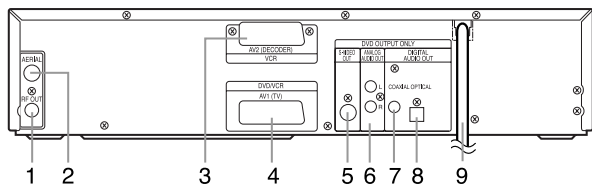
OPERATING CONTROLS AND FUNCTIONS

[DVD757VR/00]



1. **Disc Tray (DVD)**
insert a disc here
2. **▲ OPEN/CLOSE button (DVD)**
to open/close the disc tray
3. **Cassette Compartment (VCR)**
insert a tape here
4. **▲ STOP/EJECT button (VCR)**
when playback is stopped, press to eject the tape
5. **AUDIO and VIDEO in jacks**
connect to AUDIO and VIDEO OUT of an audio source
6. **▶ PLAY button (VCR)**
to play a tape
7. **RECORD button (VCR)**
Press once to start recording, repeatedly to start an One-Touch Recording
8. **RECORD light (VCR)**
light appears during recording, it flashes when a recording is paused
9. **RECORD TIMER light (VCR)**
light appears when DVD/VCR is in standby mode for a timer recording(also light appears during timer recording)
10. **IR (Infrared) Remote Sensor (DVD,VCR)**
receive signals from remote control
11. **▶ PLAY button (DVD)**
to start, pause or resume disc playback
12. **■ STOP button (DVD)**
to stop playback
13. **DIRECT DUBBING button (VCR)**
to play DVD disc and record its' content to video cassette tape at the same time
14. **DVD light (DVD)**
light appears when DVD/VCR in DVD mode

Rear Panel



1. **RF OUT jack**
use supplied RF coaxial cable to connect to the ANTENNA IN on your TV, cable box or Direct Broadcast System
2. **AERIAL jack**
connect to an antenna or cable
3. **AV2 (DECODER) jack (VCR only)**
connect SCART cable from another DVD/VCR, camcorder or an audio/video source

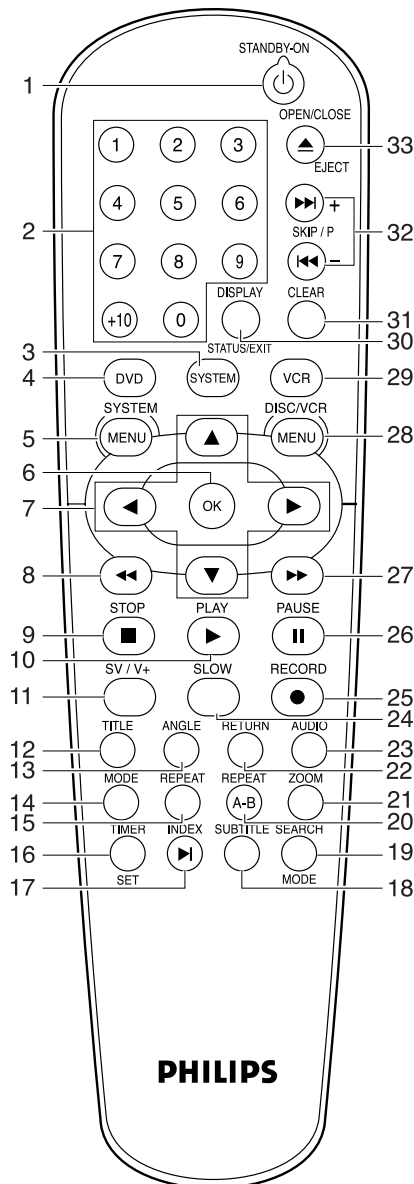
15. **VCR light (VCR)**
light appears when DVD/VCR in VCR mode
16. **SOURCE button (DVD,VCR)**
to select between DVD and VCR mode
17. **○ STANDBY-ON button (DVD,VCR)**
to switch the player to ON or OFF
STANDBY-ON light (DVD,VCR)
light appears when DVD/VCR turns on.
18. **TRK (DVD)**
Stays on when repeat track function is on.
19. **CHP. (DVD)**
Stays on when repeat chapter function is on.
20. **TITLE (DVD)**
Stays on when repeat title function is on.
21. **REPEAT (DVD)**
Stays on when the repeat function is on.
22. **A-B REPEAT (DVD)**
Stays on when the A-B repeat function is on.
23. **▶ (DVD,VCR)**
Stays on when the inserted disc or cassette is being played back.
24. **|| (DVD,VCR)**
Lights up when the inserted disc comes to a pause.(DVD)
Lights up when the playback is in a still or in a slow mode.(VCR)
25. **Digital Display (DVD,VCR)**
Displays how long a current title or track has been played back. When a chapter or track has switched, the number of a new title, chapter or track is displayed.(DVD)
Works as a clock, or a tape counter. Also displays a channel number, and remaining time for OTR.(VCR)
26. **CD**
Lights up when a CD is inserted on the tray.
VCD
Lights up when a VCD is inserted on the tray.
PBC
Lights up when a VCD(with PBC function) is inserted on the tray.
27. **DVD**
Lights up when a DVD is inserted on the tray.

Display Message

- - - - -	Appears after the disc tray closes if the tray is empty, if there is an error reading the disc, or if an unacceptable disc is installed.
OPEN	Tray is opening or is open.
CLOSE	Tray is closing. This also may appear as the Player tries to load a Disc.
Load	Disc is loading.

4. **AVI (TV) jack**
connect SCART cable to a TV
5. **S-Video Out jack (DVD only)**
connect to a TV with S-Video inputs
6. **AUDIO OUT (Left/Right) jacks (DVD only)**
connect to AUDIO inputs of an amplifier, receiver or stereo system
7. **COAXIAL (Digital audio out) jack (DVD only)**
connect to AUDIO inputs of a digital (coaxial) audio equipment
8. **OPTICAL (Digital audio out) jack (DVD only)**
connect to digital (optical) audio equipment
9. **MAINS (AC Power Cord)**
connect to a standard AC outlet

Remote Control

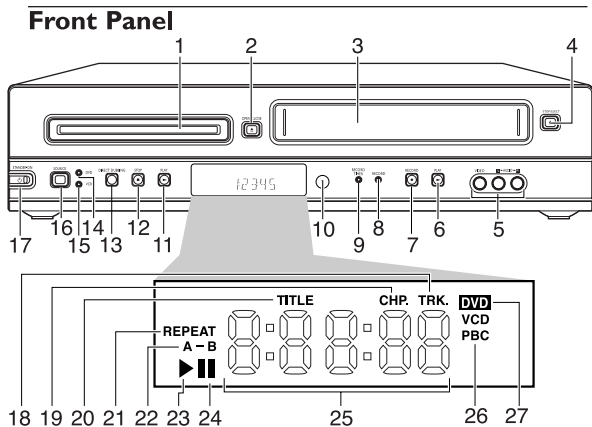


1. **STANDBY-ON**
switch DVD/VCR ON or OFF
2. **0-9 numerical key pads/+10**
select numbered items in a menu
use +10 button to enter number 10 and above (DVD)
to select TV channels in VCR mode
3. **SYSTEM**
doesn't work on this model
4. **DVD**
press to put the DVD/VCR in DVD mode and before using
the remote control for DVD features
5. **SYSTEM MENU**
to access or remove the DVD setup menu (DVD)
6. **OK**
acknowledge menu selection (DVD)
7. **◀ ▶ ▲ ▼**
(left/right/up/down) select an item in the menu

8. **◀◀**
to view DVD picture in fast reverse motion (DVD)
to rewind the tape (VCR)
9. **STOP (■)**
to stop a DVD disc playback (DVD)
to stop playback, recording (VCR)
10. **PLAY (▶)**
to start a DVD disc playback (DVD)
to start a tape playback (VCR)
11. **SV/V+**
to programme timer recording with the SHOWVIEW system
(VCR)
12. **TITLE**
to display title menu of a disc (DVD)
13. **ANGLE**
select DVD camera angle (DVD)
14. **MODE**
to set up programmed or random playback (Audio CD)
15. **REPEAT**
repeat chapter, track, title, disc (DVD)
16. **TIMER SET**
to put the DVD/VCR into standby mode for a timer recording
17. **INDEX SEARCH**
to fast forward or rewind the tape at index number (VCR)
18. **SUBTITLE**
subtitle language DVD selector (DVD)
19. **SEARCH MODE**
to access or remove search display (DVD)
20. **REPEAT (A-B)**
repeat a specific segment (DVD)
21. **ZOOM**
enlarge DVD video image (DVD)
22. **RETURN**
to return previous or remove setup menu (DVD)
23. **AUDIO**
to choose audio languages or sound modes (DVD)
to choose sound modes (VCR)
24. **SLOW**
to view tape playback in slow motion (VCR)
25. **RECORD**
to record the TV channel selected at this moment or press
repeatedly to start a One-Touch Recording (VCR)
26. **PAUSE (||)**
pause playback temporarily / frame-by-frame playback (DVD)
pause playback and during recording temporarily (VCR)
27. **▶▶**
to view DVD picture in fast forward motion (DVD)
to fast forward the tape (VCR)
28. **DISC/VCR MENU**
to display the menu of the DVD disc or to access VCR menu
29. **VCR**
press to put the DVD/VCR in VCR mode and before using
the remote control for VCR features
30. **DISPLAY STATUS/EXIT**
to access or remove the display screen during DVD or Audio
CD playback (DVD)
to access or remove VCR's on-screen status display (VCR)
to remove VCR's menu (VCR)
31. **CLEAR**
to reset the setting (DVD)
to reset the counter (VCR)
to delete last entry/Clear programmed recording (TIMER)
(VCR)
32. **SKIP/P (◀◀◀/ - /▶▶▶/ +)**
to skip chapter/tracks (DVD)
to change TV channels (VCR)
33. **OPEN/CLOSE EJECT**
to insert discs into or remove them from the tray (DVD)
to remove the tape from the VCR (VCR)

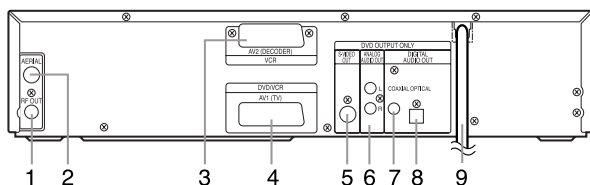
[DVD757VR/05]

Front Panel



1. **Disc Tray (DVD)**
insert a disc here
2. **▲ OPEN/CLOSE button (DVD)**
to open/close the disc tray
3. **Cassette Compartment (VCR)**
insert a tape here
4. **▲ STOP/EJECT button (VCR)**
when playback is stopped, press to eject the tape
5. **AUDIO and VIDEO in jacks**
connect to AUDIO and VIDEO OUT of an audio source
6. **▶ PLAY button (VCR)**
to play a tape
7. **RECORD button (VCR)**
Press once to start recording, repeatedly to start an One-Touch Recording
8. **RECORD light (VCR)**
light appears during recording, it flashes when a recording is paused
9. **RECORD TIMER light (VCR)**
light appears when DVD/VCR is in standby mode for a timer recording(also light appears during timer recording)
10. **IR (Infrared) Remote Sensor (DVD,VCR)**
receive signals from remote control
11. **▶ PLAY button (DVD)**
to start, pause or resume disc playback
12. **■ STOP button (DVD)**
to stop playback
13. **DIRECT DUBBING button (VCR)**
to play DVD disc and record its' content to video cassette tape at the same time
14. **DVD light (DVD)**
light appears when DVD/VCR in DVD mode
15. **VCR light (VCR)**
light appears when DVD/VCR in VCR mode
16. **SOURCE button (DVD,VCR)**
to select between DVD and VCR mode
17. **⊙ STANDBY-ON button (DVD,VCR)**
to switch the player to ON or OFF
18. **STANDBY-ON light (DVD,VCR)**
light appears when DVD/VCR turns on.
19. **TRK (DVD)**
Stays on when repeat track function is on.
20. **CHP (DVD)**
Stays on when repeat chapter function is on.
21. **TITLE (DVD)**
Stays on when repeat title function is on.
22. **REPEAT (DVD)**
Stays on when the repeat function is on.
23. **A-B REPEAT (DVD)**
Stays on when the A-B repeat function is on.
24. **▶ (DVD,VCR)**
Stays on when the inserted disc or cassette is being played back.
25. **|| (DVD,VCR)**
Lights up when the inserted disc comes to a pause.(DVD)
Lights up when the playback is in a still or in a slow mode.(VCR)
26. **Digital Display (DVD,VCR)**
Displays how long a current title or track has been played back. When a chapter or track has switched, the number of a new title, chapter or track is displayed.(DVD)
Works as a clock, or a tape counter. Also displays a channel number, and remaining time for OTR.(VCR)
27. **CD**
Lights up when a CD is inserted on the tray.
28. **VCD**
Lights up when a VCD is inserted on the tray.
29. **PBC**
Lights up when a VCD(with PBC function) is inserted on the tray.
30. **DVD**
Lights up when a DVD is inserted on the tray.

Rear Panel



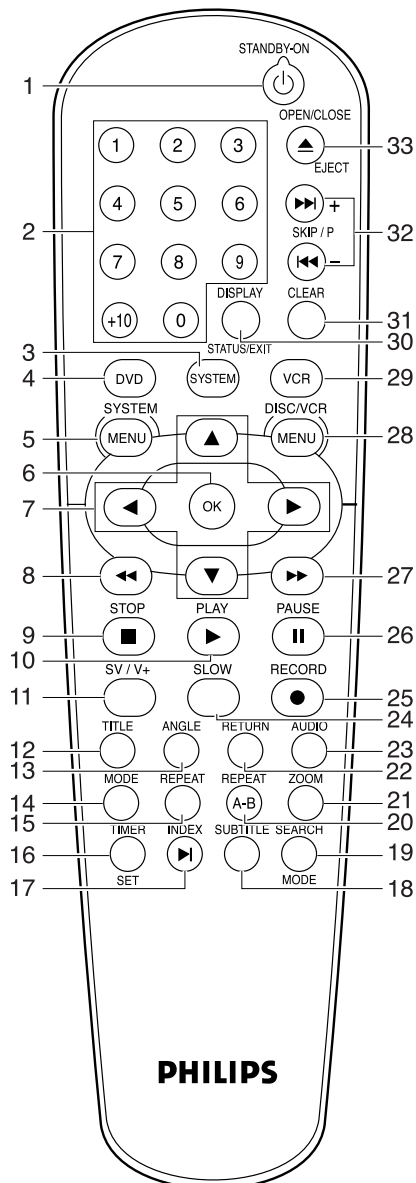
1. **RF OUT jack**
use supplied RF coaxial cable to connect to the ANTENNA IN on your TV, cable box or Direct Broadcast System
2. **AERIAL jack**
connect to an antenna or cable
3. **AV2 (DECODER) jack (VCR only)**
connect SCART cable from another DVD/VCR, camcorder or an audio/video source
4. **AVI (TV) jack**
connect SCART cable to a TV
5. **S-Video Out jack (DVD only)**
connect to a TV with S-Video inputs
6. **AUDIO OUT (Left/Right) jacks (DVD only)**
connect to AUDIO inputs of an amplifier, receiver or stereo system
7. **COAXIAL (Digital audio out) jack (DVD only)**
connect to AUDIO inputs of a digital (coaxial) audio equipment
8. **OPTICAL (Digital audio out) jack (DVD only)**
connect to digital (optical) audio equipment
9. **MAINS (AC Power Cord)**
connect to a standard AC outlet

Display Message

- - - -	Appears after the disc tray closes if the tray is empty, if there is an error reading the disc, or if an unacceptable disc is installed.
OPEN	Tray is opening or is open.
CLOSE	Tray is closing. This also may appear as the Player tries to load a Disc.
Load	Disc is loading.

4. **AVI (TV) jack**
connect SCART cable to a TV
5. **S-Video Out jack (DVD only)**
connect to a TV with S-Video inputs
6. **AUDIO OUT (Left/Right) jacks (DVD only)**
connect to AUDIO inputs of an amplifier, receiver or stereo system
7. **COAXIAL (Digital audio out) jack (DVD only)**
connect to AUDIO inputs of a digital (coaxial) audio equipment
8. **OPTICAL (Digital audio out) jack (DVD only)**
connect to digital (optical) audio equipment
9. **MAINS (AC Power Cord)**
connect to a standard AC outlet

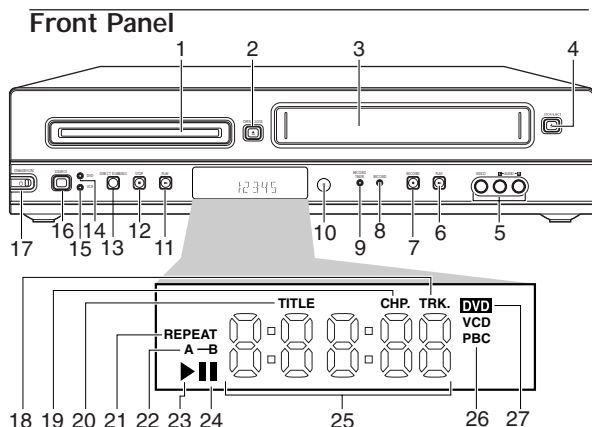
Remote Control



1. **STANDBY-ON**
switch DVD/VCR ON or OFF
2. **0-9 numerical key pad/+10**
select numbered items in a menu
use +10 button to enter number 10 and above (DVD)
to select TV channels in VCR mode
3. **SYSTEM**
doesn't work on this model
4. **DVD**
press to put the DVD/VCR in DVD mode and before using the remote control for DVD features
5. **SYSTEM MENU**
to access or remove the DVD setup menu (DVD)
6. **OK**
acknowledge menu selection (DVD)
7. **◀ ▶ ▲ ▼**
(left/right/up/down) select an item in the menu
8. **◀◀**
to view DVD picture in fast reverse motion (DVD)
to rewind the tape (VCR)

9. **STOP (■)**
to stop a DVD disc playback (DVD)
to stop playback, recording (VCR)
10. **PLAY (▶)**
to start a DVD disc playback (DVD)
to start a tape playback (VCR)
11. **SV/V+**
to programme timer recording with the VIDEO Plus+ system (VCR)
12. **TITLE**
to display title menu of a disc (DVD)
13. **ANGLE**
select DVD camera angle (DVD)
14. **MODE**
to set up programmed or random playback (Audio CD)
15. **REPEAT**
repeat chapter, track, title, disc (DVD)
16. **TIMER SET**
to put the DVD/VCR into standby mode for a timer recording
17. **INDEX SEARCH**
to fast forward or rewind the tape at index number (VCR)
18. **SUBTITLE**
subtitle language DVD selector (DVD)
19. **SEARCH MODE**
to access or remove search display (DVD)
20. **REPEAT (A-B)**
repeat a specific segment (DVD)
21. **ZOOM**
enlarge DVD video image (DVD)
22. **RETURN**
to return previous or remove setup menu (DVD)
23. **AUDIO**
to choose audio languages or sound modes (DVD)
to choose sound modes (VCR)
24. **SLOW**
to view tape playback in slow motion (VCR)
25. **RECORD**
to record the TV channel selected at this moment or press repeatedly to start a One-Touch Recording (VCR)
26. **PAUSE (||)**
pause playback temporarily / frame-by-frame playback (DVD)
pause playback and during recording temporarily (VCR)
27. **▶▶**
to view DVD picture in fast forward motion (DVD)
to fast forward the tape (VCR)
28. **DISC/VCR MENU**
to display the menu of the DVD disc or to access VCR menu
29. **VCR**
press to put the DVD/VCR in VCR mode and before using the remote control for VCR features
30. **DISPLAY STATUS/EXIT**
to access or remove the display screen during DVD or Audio CD playback (DVD)
to access or remove VCR's on-screen status display (VCR)
to remove VCR's menu (VCR)
31. **CLEAR**
to reset the setting (DVD)
to reset the counter (VCR)
to delete last entry/Clear programmed recording (TIMER) (VCR)
32. **SKIP/P (◀◀/ - /▶▶/ +)**
to skip chapter/tracks (DVD)
to change TV channels (VCR)
33. **OPEN/CLOSE EJECT**
to insert discs into or remove them from the tray (DVD)
to remove the tape from the VCR (VCR)

[DVD757VR/02]



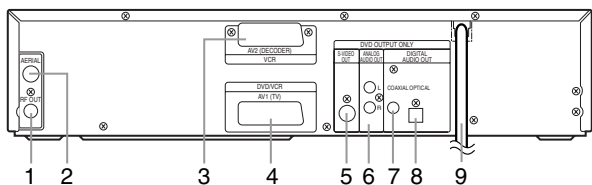
1. **Disc Tray (DVD)**
insert a disc here
2. **▲ OPEN/CLOSE button (DVD)**
to open/close the disc tray
3. **Cassette Compartment (VCR)**
insert a tape here
4. **▲ STOP/EJECT button (VCR)**
when playback is stopped, press to eject the tape
5. **AUDIO and VIDEO in jacks**
connect to AUDIO and VIDEO OUT of an audio source
6. **▶ PLAY button (VCR)**
to play a tape
7. **RECORD button (VCR)**
Press once to start recording, repeatedly to start an One-Touch Recording
8. **RECORD light (VCR)**
light appears during recording, it flashes when a recording is paused
9. **RECORD TIMER light (VCR)**
light appears when DVD/VCR is in standby mode for a timer recording (also light appears during timer recording)
10. **IR (Infrared) Remote Sensor (DVD,VCR)**
receive signals from remote control
11. **▶ PLAY button (DVD)**
to start, pause or resume disc playback
12. **■ STOP button (DVD)**
to stop playback
13. **DIRECT DUBBING button (VCR)**
to play DVD disc and record its' content to video cassette tape at the same time
14. **DVD light (DVD)**
light appears when DVD/VCR in DVD mode

15. **VCR light (VCR)**
light appears when DVD/VCR in VCR mode
16. **SOURCE button (DVD,VCR)**
to select between DVD and VCR mode
17. **⊙ STANDBY-ON button (DVD,VCR)**
to switch the player to ON or OFF
- STANDBY-ON light (DVD,VCR)**
light appears when DVD/VCR turns on.
18. **TRK (DVD)**
Stays on when repeat track function is on.
19. **CHP. (DVD)**
Stays on when repeat chapter function is on.
20. **TITLE (DVD)**
Stays on when repeat title function is on.
21. **REPEAT (DVD)**
Stays on when the repeat function is on.
22. **A-B REPEAT (DVD)**
Stays on when the A-B repeat function is on.
23. **▶ (DVD,VCR)**
Stays on when the inserted disc or cassette is being played back.
24. **■ (DVD,VCR)**
Lights up when the inserted disc comes to a pause.(DVD)
Lights up when the playback is in a still or in a slow mode.(VCR)
25. **Digital Display (DVD,VCR)**
Displays how long a current title or track has been played back. When a chapter or track has switched, the number of a new title, chapter or track is displayed.(DVD)
Works as a clock, or a tape counter. Also displays a channel number, and remaining time for OTR.(VCR)
26. **CD**
Lights up when a CD is inserted on the tray.
VCD
Lights up when a VCD is inserted on the tray.
PBC
Lights up when a VCD(with PBC function) is inserted on the tray.
27. **DVD**
Lights up when a DVD is inserted on the tray.

Display Message

- - - -	Appears after the disc tray closes if the tray is empty, if there is an error reading the disc, or if an unacceptable disc is installed.
OPEN	Tray is opening or is open.
CLOSE	Tray is closing. This also may appear as the Player tries to load a Disc.
Load	Disc is loading.

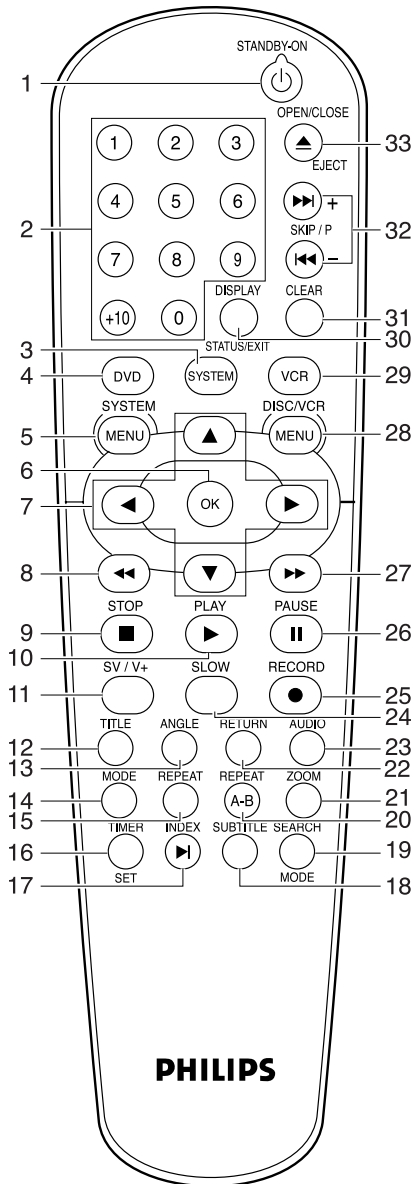
Rear Panel



1. **RF OUT jack**
use supplied RF coaxial cable to connect to the ANTENNA IN on your TV, cable box or Direct Broadcast System
2. **AERIAL jack**
connect to an antenna or cable
3. **AV2 (DECODER) jack (VCR only)**
connect SCART cable from another DVD/VCR, camcorder or an audio/video source

4. **AV1 (TV) jack**
connect SCART cable to a TV
5. **S-Video Out jack (DVD only)**
connect to a TV with S-Video inputs
6. **AUDIO OUT (Left/Right) jacks (DVD only)**
connect to AUDIO inputs of an amplifier, receiver or stereo system
7. **COAXIAL (Digital audio out) jack (DVD only)**
connect to AUDIO inputs of a digital (coaxial) audio equipment
8. **OPTICAL (Digital audio out) jack (DVD only)**
connect to digital (optical) audio equipment
9. **MAINS (AC Power Cord)**
connect to a standard AC outlet

Remote Control



1. **⏻ STANDBY-ON**
switch DVD/VCR ON or OFF
2. **0-9 numerical key pad/+10**
select numbered items in a menu
use +10 button to enter number 10 and above (DVD)
to select TV channels in VCR mode
3. **SYSTEM**
to change the DVD/VCR system for matching recorded system (SECAM or PAL) (VCR)
4. **DVD**
press to put the DVD/VCR in DVD mode and before using the remote control for DVD features
5. **SYSTEM MENU**
to access or remove the DVD setup menu (DVD)
6. **OK**
acknowledge menu selection (DVD)
7. **◀ ▶ ▲ ▼**
(left/right/up/down) select an item in the menu

8. **◀◀**
to view DVD picture in fast reverse motion (DVD)
to rewind the tape (VCR)
9. **STOP (■)**
to stop a DVD disc playback (DVD)
to stop playback, recording (VCR)
10. **PLAY (▶)**
to start a DVD disc playback (DVD)
to start a tape playback (VCR)
11. **SV/V+**
to programme timer recording with the SHOWVIEW system (VCR)
12. **TITLE**
to display title menu of a disc (DVD)
13. **ANGLE**
select DVD camera angle (DVD)
14. **MODE**
to set up programmed or random playback (Audio CD)
15. **REPEAT**
repeat chapter, track, title, disc (DVD)
16. **TIMER SET**
to put the DVD/VCR into standby mode for a timer recording
17. **INDEX SEARCH**
to fast forward or rewind the tape at index number (VCR)
18. **SUBTITLE**
subtitle language DVD selector (DVD)
19. **SEARCH MODE**
to access or remove search display (DVD)
20. **REPEAT (A-B)**
repeat a specific segment (DVD)
21. **ZOOM**
enlarge DVD video image (DVD)
22. **RETURN**
to return previous or remove setup menu (DVD)
23. **AUDIO**
to choose audio languages or sound modes (DVD)
to choose sound modes (VCR)
24. **SLOW**
to view tape playback in slow motion (VCR)
25. **RECORD**
to record the TV channel selected at this moment or press repeatedly to start a One-Touch Recording (VCR)
26. **PAUSE (||)**
pause playback temporarily / frame-by-frame playback (DVD)
pause playback and during recording temporarily (VCR)
27. **▶▶**
to view DVD picture in fast forward motion (DVD)
to fast forward the tape (VCR)
28. **DISC/VCR MENU**
to display the menu of the DVD disc or to access VCR menu
29. **VCR**
press to put the DVD/VCR in VCR mode and before using the remote control for VCR features
30. **DISPLAY STATUS/EXIT**
to access or remove the display screen during DVD or Audio CD playback (DVD)
to access or remove VCR's on-screen status display (VCR)
to remove VCR's menu (VCR)
31. **CLEAR**
to reset the setting (DVD)
to reset the counter (VCR)
to delete last entry/Clear programmed recording (TIMER) (VCR)
32. **SKIP/P (◀◀/ - /▶▶/ +)**
to skip chapter/tracks (DVD)
to change TV channels (VCR)
33. **OPEN/CLOSE EJECT**
to insert discs into or remove them from the tray (DVD)
to remove the tape from the VCR (VCR)

SIGNAL NAME ABBREVIATIONS

Signal Name	Function
8POUT-1	SCART 1 8Pin Output Control Signal
8POUT-2	Control SCART 1 8Pin Level by using 8POUT-1 and 8POUT-2
A-COM	Audio Head Common
A-IN	Audio Signal Input
A-MODE	Hi-Fi Tape Detection Signal
A-MUTE-H	Audio Mute Control Signal (Mute = "H")
A-OUT	Audio Signal Output
A-PB/REC	Normal Audio Play Back/Record Signal
AE-H	Audio Erase Head
AFC	Automatic Frequency Control Signal
AGC	IF AGC Control Signal
AL+12V	Always +12V with AC Plug Connected
AL+20.5V/+12V	Always +15V/+12V with AC Plug Connected
AL+5V	Always +5V with AC Plug Connected
AL+9V	Always +9V with AC Plug Connected
AL-30V	Always -30V with AC Plug Connected
AMPC	CTL AMP Connected Terminal
AMPVcc	AMPVcc
AMPVREF in	V-Ref for CTL AMP
AMPVREF OUT	V-Ref for CTL AMP
AVcc	A/D Converter Power Input/ Standard Voltage Input
C-CONT	Capstan Motor Control Signal
C-F/R	Capstan Motor FWD/REV Control Signal (FWD="L"/REV="H")
C-FG	Capstan Motor Rotation Detection Pulse
C-POW-SW	Capstan Power Switching Signal
C-POWER-SW	Capstan Power Switching Pulse

Signal Name	Function
C-ROTA	Color Phase Rotary Changeover Signal
C-SYNC	Composite Synchronized Pulse
CLKSEL	Clock Select (GND)
COLOR-IN	SECAM or MESECAM Chroma Video Input Signal at Super Impose
CTL +	Playback/Record Control Signal (+)
CTL -	Playback/Record Control Signal (-)
CTLAMPout	To Monitor for CTL AMP Output
D-CONT	Drum Motor Control Signal
D-PFG	Drum Motor Phase/Frequency Generator
D-REC-H	Delayed Record Signal
D-V- SYNC	Dummy V-sync Output
DAVN-L	VPS/PDC Data Receive = "L"
DRV-CLK	LED Clock Driver IC Control Clock
DRV-DATA	LED Clock Driver IC Control Data
DRV-STB	LED Clock Driver IC Chip Select Signal
DVD A	DVD Audio Signal
DVD LED	"DVD" LED Signal Output
DVD PLAY	DVD Play at High
DVD-8PIN-IN	SCART 8Pin DVD Input Control Signal
DVD-B-OUT	DVD Component Video Signal (blue)
DVD-G-OUT	DVD Component Video Signal (green)
DVD-LED	"DVD" LED Signal Output
DVD-P-ON+12V	+12V at DVD Power-On Signal
DVD-P-ON+3.3V	+3.3V at DVD Power-On Signal
DVD-P-ON+5V	+5V at DVD Power-On Signal
DVD-POWER	DVD Power Control Signal
DVD-POWERMONITOR	DVD Power Monitor Signal (P-off="H", P-on="L")

Signal Name	Function
DVD-R-OUT	DVD Component Video Signal (red)
DVD-VIDEO	DVD Video Control Signal
END-S	Tape End Position Detect Signal
FE-H GND	Ground for Full Erase Head
FF/REW-L	Frequency Characteristics Switching Signal (FF/REW="L")
FIL-ON/OFF	Filament ON/OFF Control Signal
FP-CLK	Clock Input
FP-DIN	Serial Data Input
FP-DOUT	Serial Data Output
FP-STB	Serial Interface Strobe
FSC-IN [4.43MHz]	4.43MHz Clock Input
FTV-IN	Comparator Input of Video Signal for Follow TV
H-A-COMP	Head Amp Comparator Signal
H-A-SW	Video Head Amp Switching Pulse
Hi-Fi-A	Hi-Fi Audio Head
Hi-Fi-COM	Hi-Fi Audio Head Common
Hi-Fi-H-SW	Hi-Fi Audio Head Switching Pulse
IIC-BUS- SCL	IIC BUS Control Clock
IIC-BUS- SDA	IIC BUS Control Data
INPUT SELECT	Input Selector Control Signal
JK1-8P-OUT	SCART 8Pin Output Control Signal
K1	Key Data 1 Input
K2	Key Data 2 Input
KEY-1	Key Scan Input Signal 1
KEY-2	Key Scan Input Signal 2
LD-SW	Deck Mode Position Detector Signal
LD-SW	Deck Mode Position Detector Signal
LINE MUTE	Audio Mute Control Signal
LINE- MUTE	Audio Mute Control Signal
LM-FWD/REV	Loading Motor Control Signal
MOD-A	Modulator Audio Output Signal
MOD-V	Modulator Video Output Signal
N-A-PB	Normal Audio Playback

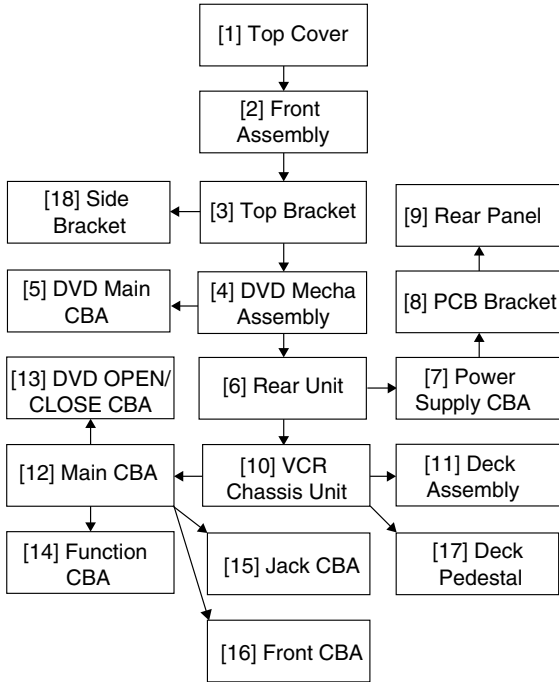
Signal Name	Function
N-A-REC	Normal Audio Recording
OSC	Oscillator Input
OSCIin	Clock Input for letter size
OSCOout	Clock Output for letter size
OSD-V-IN	OSD Video Signal Input
OSD-V-OUT	OSD Video Signal Output
OSDVss	OSDVss
OUTPUT-SELECT	Output Select
P-DOWN-L	Power Voltage Down Detector Signal
P-OFF-H	Power Off at High
P-ON+15V	+15V at Power-On Signal
P-ON+44V	+44V at Power-On Signal
P-ON+5V	+5V at Power-On Signal
P-ON-H	Power On Signal at High
PB-H-OUT	Playback Signal Output at High
PG-Delay	Video Head Switching Pulse Signal Adjusted Voltage
POW-SAF	P-ON Power Detection Input Signal
POWER-LED	"POWER" LED Signal Output
REC-LED	"REC" LED Signal Output
REC-SAF-SW	Recording Safety SW Detect (With Record tab="L"/ With out Record tab="H")
REMOTE-VIDEO	Remote Control Sensor
RESET	System Reset Signal (Reset="L")
RF-SW	Video Head Switching Pulse
S-REEL	Supply Reel Rotation Signal
SC2-IN	Input Signal from Pin 8 of SCART2
SECAM-C-IN	SECAM Chroma Signal Input
SECAM-FM-OUT	SECAM FM Signal Output
SECAM-H	SECAM Mode at High
ST-S	Tape Start Position Detector Signal
T-REEL	Take Up Reel Rotation Signal
TIMER LED	"TIMER" LED Signal Output

Signal Name	Function
TIMER+5V	+5V at Timer
TIMER- LED	"TIMER" LED Signal Output
TRICK-H	Special Playback = "H" in SECAM Mode
TU-AUDIO	Tuner Audio Input Signal
TU-VIDEO	Tuner Video Input Signal
V-ENV	Video Envelope Comparator Signal
V-IN	Video Signal Input
V-OUT	Video Signal Output
Vcc	Vcc
VCR LED	"VCR" LED Signal Output
VDD	Power Supply
VIDEO	Video Signal
Vss	Vss(GND)
XCin	Sub Clock
XCOU	Sub Clock
Xin	Main Clock Input
Xout	Main Clock Input

CABINET DISASSEMBLY INSTRUCTIONS

1. Disassembly Flowchart

This flowchart indicates the disassembly steps to gain access to item(s) to be serviced. When reassembling, follow the steps in reverse order. Bend, route, and dress the cables as they were originally.



ID/LOC. No.	PART	REMOVAL		
		Fig. No.	REMOVE/*UNHOOK/ UNLOCK/RELEASE/ UNPLUG/DESOLDER	Note
[8]	PCB Bracket	D6	3(S-9)	-
[9]	Rear Panel	D6	-----	-
[10]	VCR Chassis Unit	D7	5(S-10), 2(S-11), 3(S-11A)	-
[11]	Deck Assembly	D8	Desolder, (S-12), (S-12A)	4,5
[12]	Main CBA	D8	-----	-
[13]	DVD OPEN/ CLOSE CBA	D8	Desolder	-
[14]	Function CBA	D8	Desolder	-
[15]	Jack CBA	D8	Desolder	-
[16]	Front CBA	D8	*CN651	-
[17]	Deck Pedestal	D9	7(S-13)	-
[18]	Side Bracket	D9	(S-14)	-

2. Disassembly Method

ID/LOC. No.	PART	REMOVAL		
		Fig. No.	REMOVE/*UNHOOK/ UNLOCK/RELEASE/ UNPLUG/DESOLDER	Note
[1]	Top Cover	D1	7(S-1)	-
[2]	Front Assembly	D2	(S-2), *7(L-1)	1 1-1 1-2
[3]	Top Bracket	D2	2(S-3), 2(S-3A)	-
[4]	DVD Mecha Assembly	D3	3(S-4), *CN401, *CN601	-
[5]	DVD Main CBA	D4	2(S-5), *CN201, *CN301	2 2-1 2-2 3
[6]	Rear Unit	D5	5(S-6), 4(S-7), CN003	-
[7]	Power Supply CBA	D6	2(S-8), 2(S-8A)	-

↓ ↓ ↓ ↓ ↓
(1) (2) (3) (4) (5)

Note:

- (1): Identification (location) No. of parts in the figures
- (2): Name of the part
- (3): Figure Number for reference
- (4): Identification of parts to be removed, unhooked, unlocked, released, unplugged, unclamped, or desoldered.
P=Spring, L=Locking Tab, S=Screw, CN=Connector
*=Unhook, Unlock, Release, Unplug, or Desolder
e.g. 2(S-2) = two Screws (S-2),
2(L-2) = two Locking Tabs (L-2)
- (5): Refer to "Reference Notes."

Reference Notes

CAUTION 1: Locking Tabs (L-1) are fragile. Be careful not to break them.

1-1. Remove Screw (S-2).

1-2. Release seven Locking Tabs (L-1) (to do this, first release five Locking Tabs (A) at the side and top, and then release two Locking Tabs (B) at the bottom.)

CAUTION 2: Electrostatic breakdown of the laser diode in the optical system block may occur as a potential difference caused by electrostatic charge accumulated on cloth, human body etc., during unpacking or repair work.

To avoid damage of pickup follow next procedures.

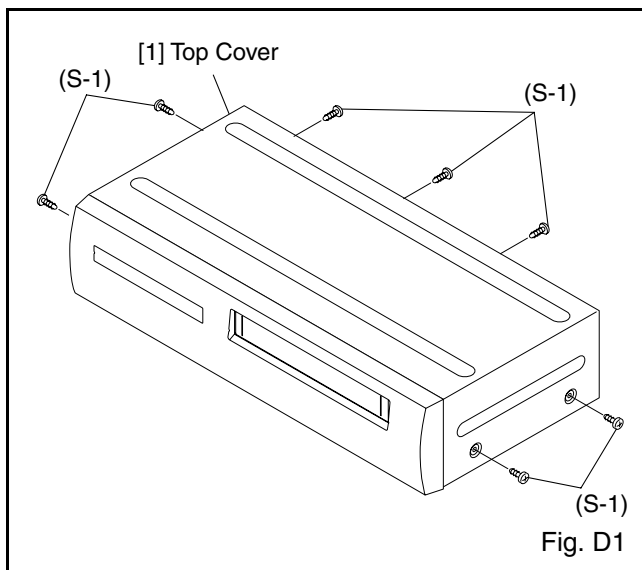
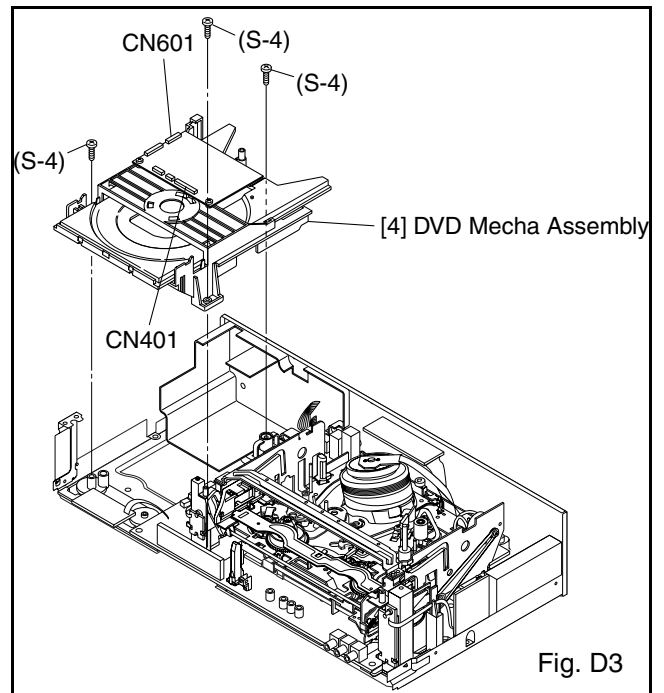
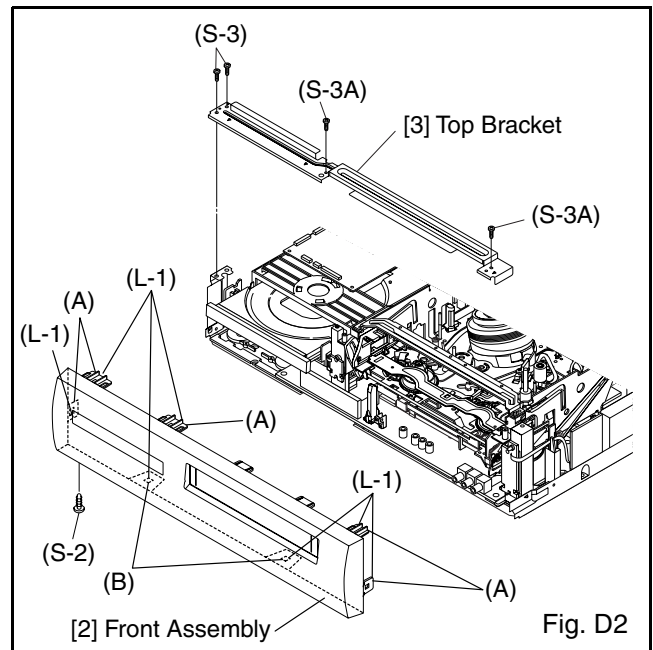
2-1. Short the three short lands of FPC cable with solder before removing the FFC cable (CN201) from it. If you disconnect the FFC cable (CN201), the laser diode of pickup will be destroyed. (Fig. D4)

2-2. Disconnect Connector (CN301). Remove two Screws (S-5) and lift the DVD Main CBA. (Fig. D4)

CAUTION 3: When reassembling, confirm the FFC cable (CN201) is connected completely. Then remove the solder from the three short lands of FPC cable. (Fig. D4)

CAUTION 4: When reassembling, solder wire jumpers as shown in Fig. D8.

CAUTION 5: Before installing the Deck Assembly, be sure to place the pin of LD-SW on Main CBA as shown in Fig. D8. Then, install the Deck Assembly while aligning the hole of Cam Gear with the pin of LD-SW, the shaft of Cam Gear with the hole of LD-SW as shown in Fig. D8.



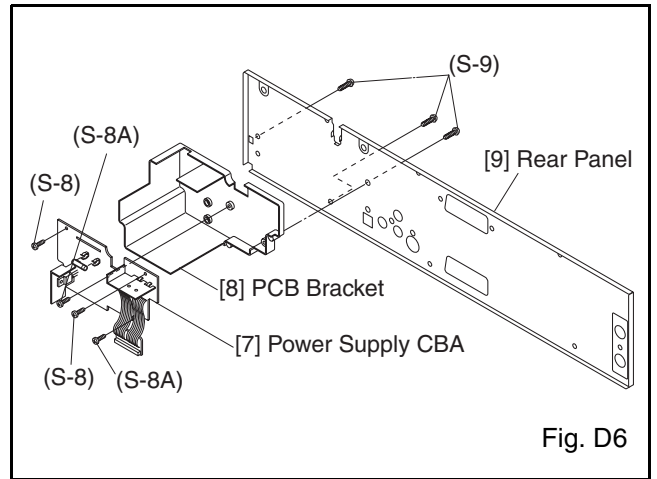
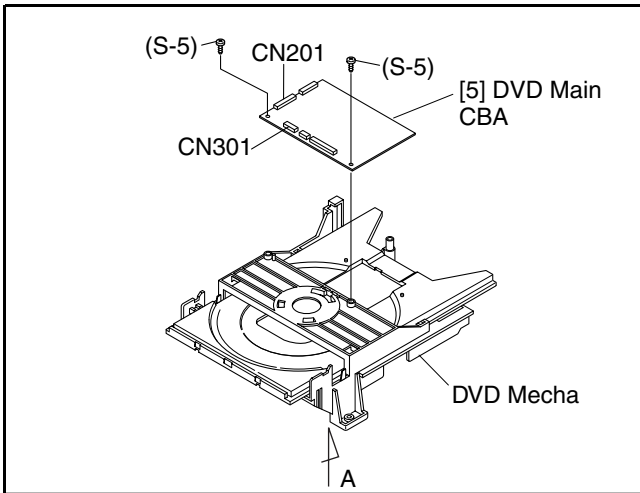


Fig. D6

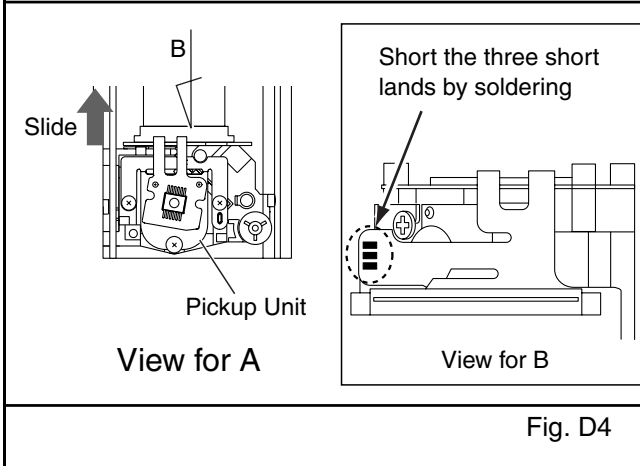


Fig. D4

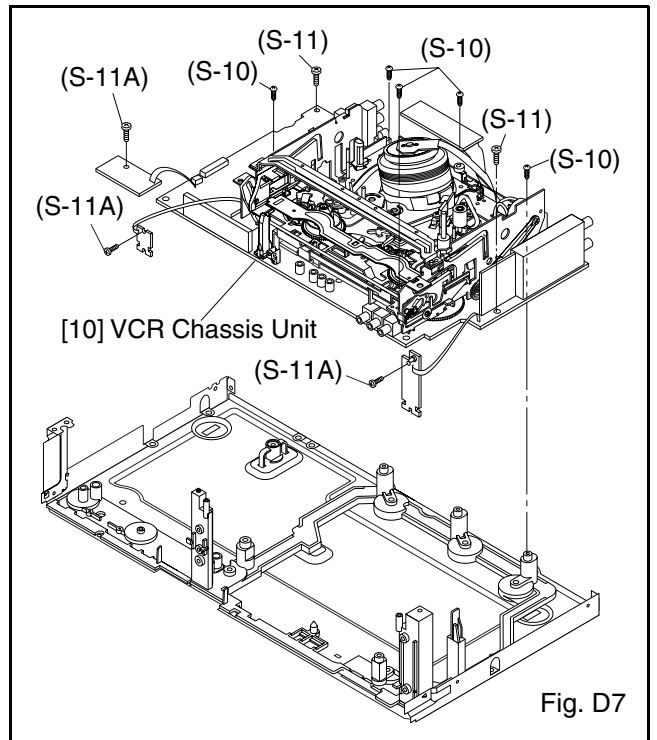


Fig. D7

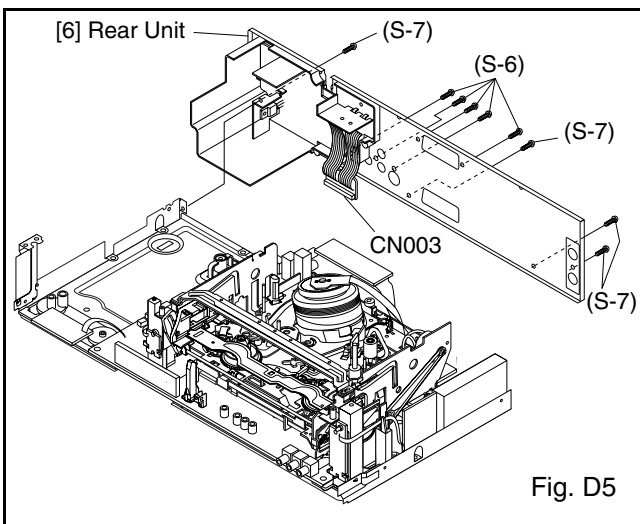


Fig. D5

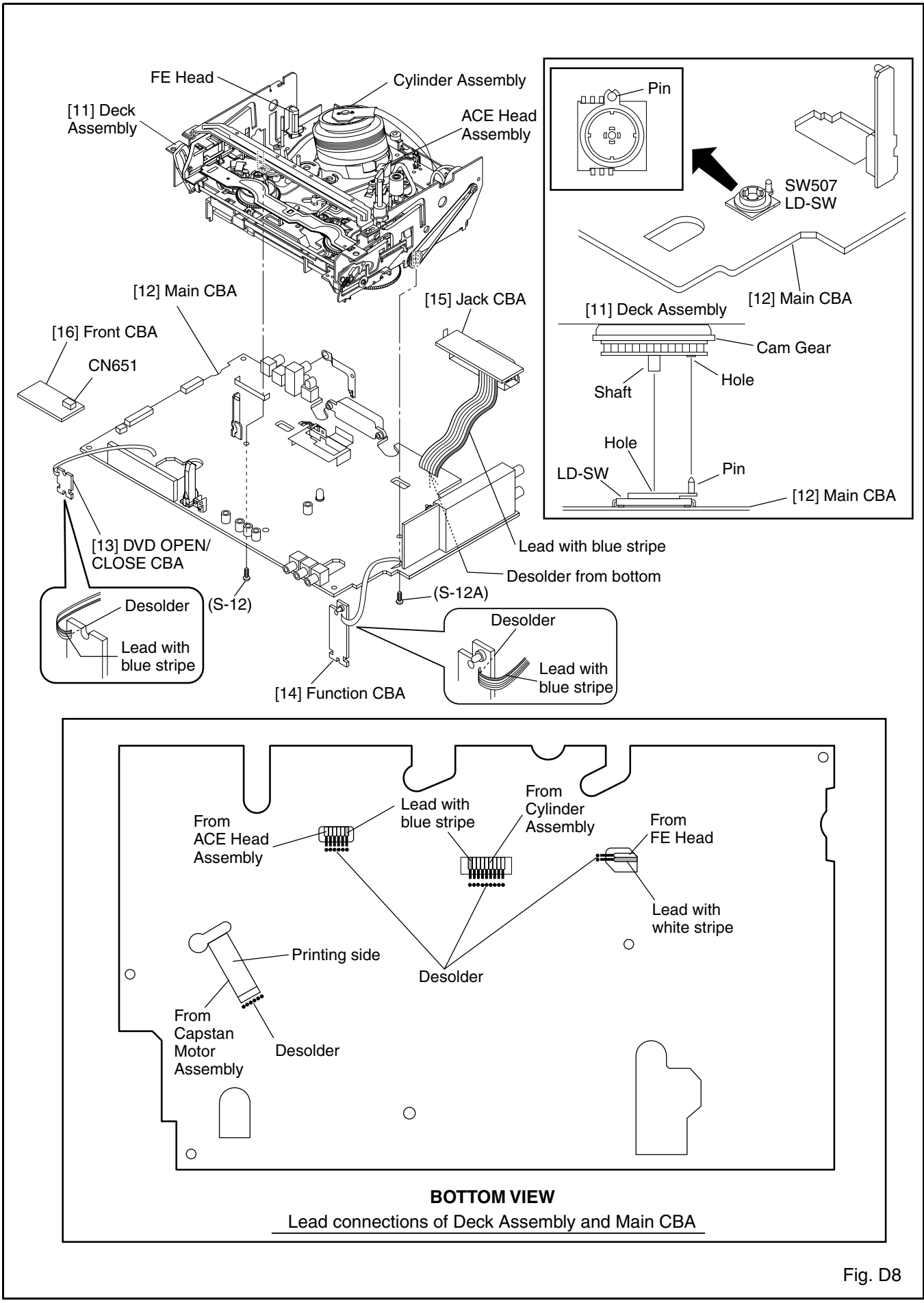
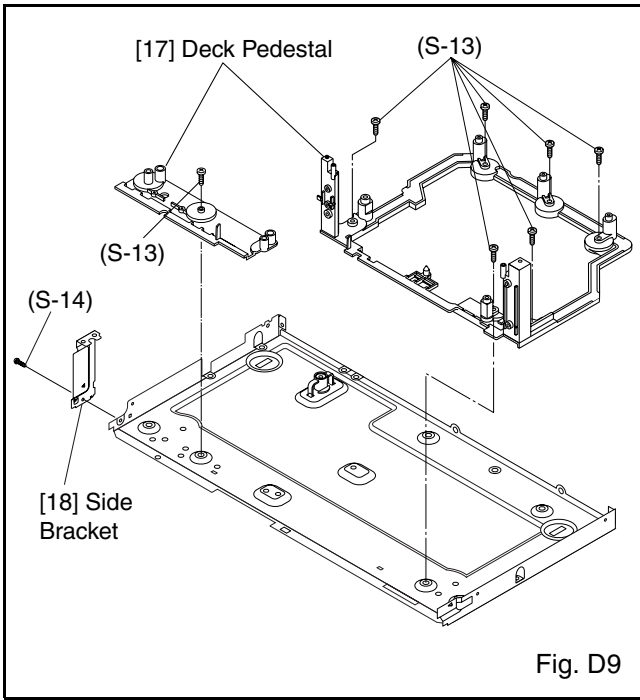
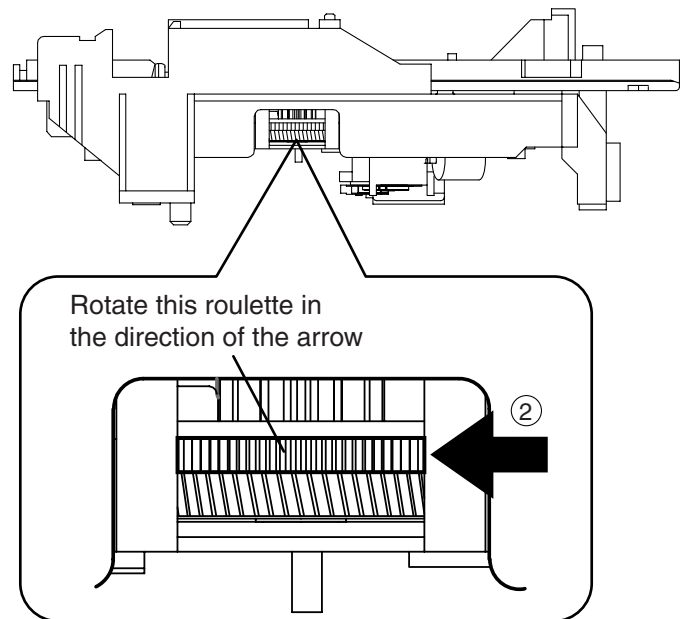
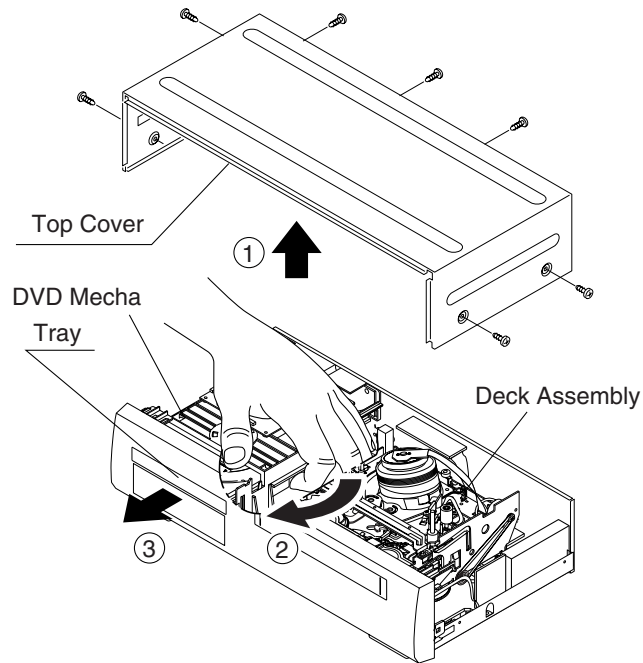


Fig. D8



To Remove the Disc Manually

1. Remove the Top Cover.
2. Rotate this roulette in the direction of the arrow as shown below.



ELECTRICAL ADJUSTMENT INSTRUCTIONS

General Note: "CBA" is an abbreviation for "Circuit Board Assembly."

NOTE:

1. Electrical adjustments are required after replacing circuit components and certain mechanical parts. It is important to do these adjustments only after all repairs and replacements have been completed. Also, do not attempt these adjustments unless the proper equipment is available.
2. To perform these alignment / confirmation procedures, make sure that the tracking control is set in the center position: Press either "CHANNEL ▼" or "CHANNEL ▲" button on the front panel first, then the "PLAY" button on the front panel.

Test Equipment Required

1. Oscilloscope: Dual-trace with 10:1 probe,
V-Range: 0.001~50V/Div.,
F-Range: DC~AC-20MHz
2. Alignment Tape (FL6A)

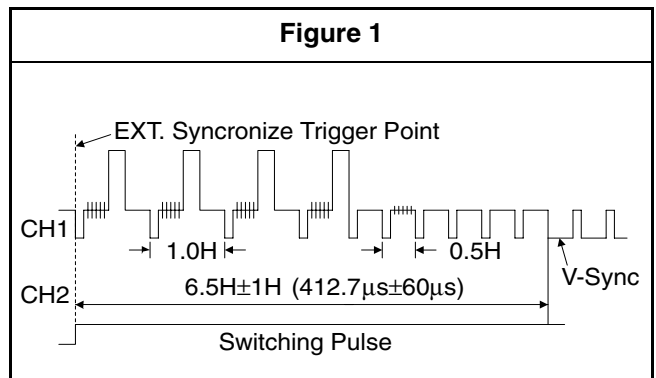
Head Switching Position Adjustment

Purpose:

To determine the Head Switching point during playback.

Symptom of Misadjustment:

May cause Head Switching noise or vertical jitter in the picture.

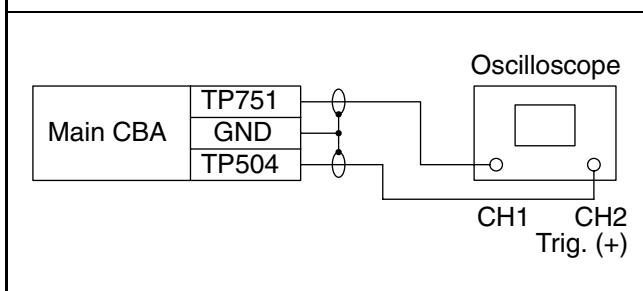


Reference Notes:

Playback the Alignment tape and adjust VR501 so that the V-sync front edge of the CH1 video output waveform is at the $6.5H \pm 1H$ ($412.7\mu s \pm 60\mu s$) delayed position from the rising edge of the CH2 head switching pulse waveform.

Test point	Adj. Point	Mode	Input
TP751(V-OUT) TP504(RF-SW) GND	VR501 (Switching Point) (MAIN CBA)	PLAY (SP)	-----
Tape	Measurement Equipment	Spec.	
FL6A	Oscilloscope	$6.5H \pm 1H$ ($412.7\mu s \pm 60\mu s$)	

Connections of Measurement Equipment



FIRMWARE RENEWAL MODE

1. Turn the power on and remove the disc on the tray.
2. To put the DVD player into version up mode, press [9], [8], [7], [6], and [SEARCH MODE] buttons on the remote control unit in that order. The tray will open automatically.

Fig. a appears on the screen and Fig. b appears on the VFD.

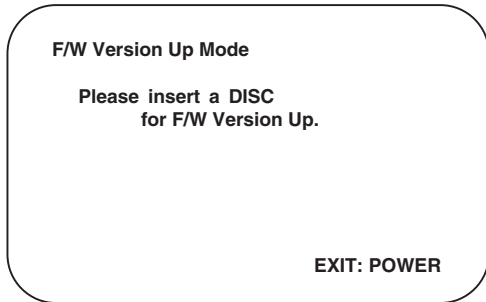


Fig. a Version Up Mode Screen

6E-UP

Fig. b VFD in Version Up Mode

The DVD player can also enter the version up mode with the tray open. In this case, Fig. a will be shown on the screen while the tray is open.

3. Load the disc for version up.
4. The DVD player enters the F/W version up mode automatically. Fig. c appears on the screen and Fig. d appears on the VFD.

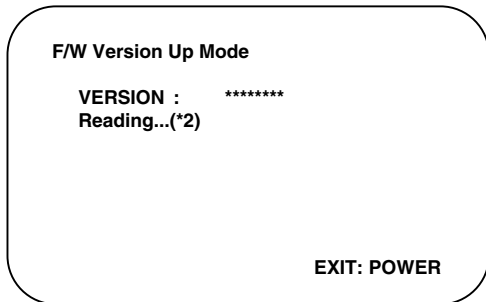


Fig. c Programming Mode Screen

1.223

Fig. d VFD in Programming Mode (Example)

The appearance shown in (*2) of Fig. c is described as follows:

No.	Appearance	State
1	Reading...	Sending files into the memory
2	Erasing...	Erasing previous version data
3	Programming...	Writing new version data

5. After programming is finished, the tray opens automatically. Fig. e appears on the screen and the checksum in (*3) of Fig. e appears on the VFD. (Fig. f)

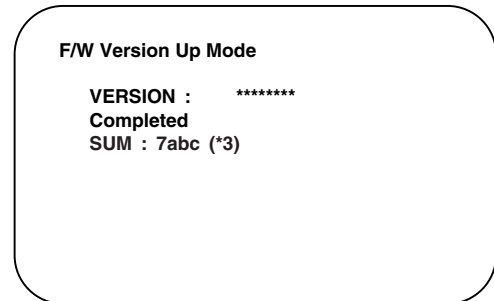


Fig. e Completed Program Mode Screen

7AbC

Fig. f VFD upon Finishing the Programming Mode (Example)

At this time, no buttons are available.

6. Unplug the AC cord from the AC outlet. Then plug it again.
7. Turn the power on by pressing the power button and the tray will close.
8. Press [1], [2], [3], [4], and [DISPLAY] buttons on the remote control unit in that order. Fig. g appears on the screen.

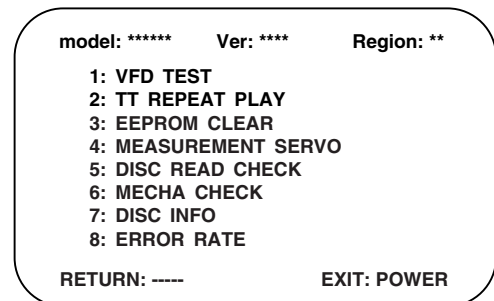


Fig. g

9. Press [3] button on the remote control unit. Fig. h appears on the screen.

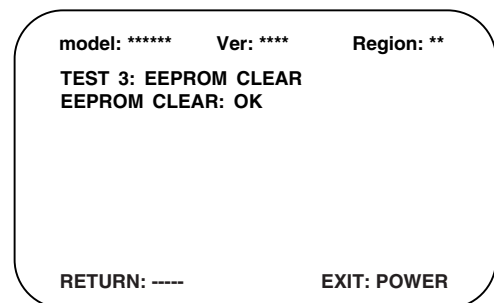


Fig. h

10. To exit this mode, press [POWER] button.

BLOCK DIAGRAMS

Servo/System Control Block Diagram

Comparison Chart of Models & Marks

Model	Mark
DVD757VR/00	A
DVD757VR/05	B
DVD757VR/02	C

"●" = SMD

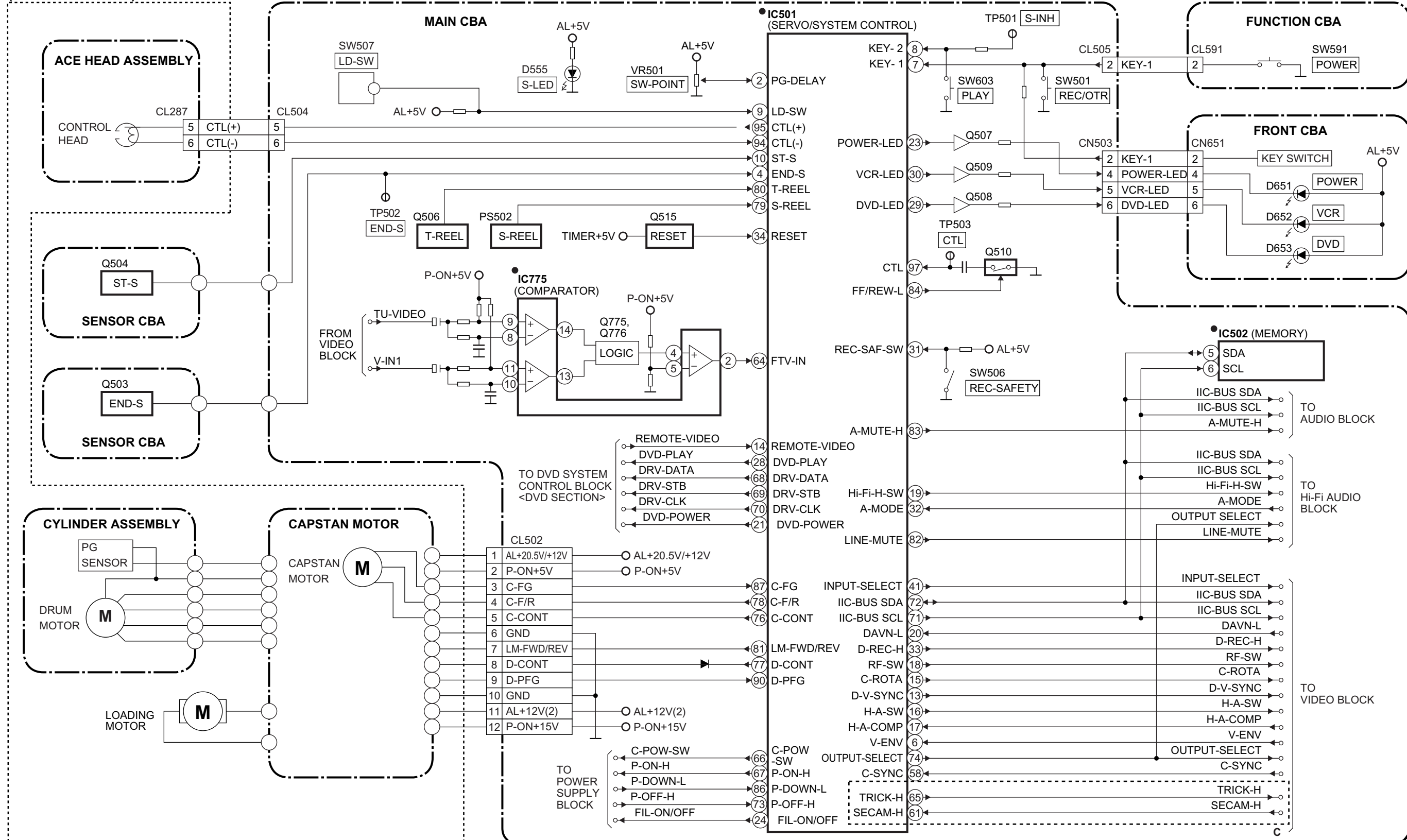
NOTE FOR WIRE CONNECTORS:

1. PREFIX SYMBOL "CN" MEANS CONNECTOR.
(CAN DISCONNECT AND RECONNECT.)
2. PREFIX SYMBOL "CL" MEANS WIRE-SOLDER HOLES OF THE PCB.
(WIRE IS SOLDERED DIRECTLY.)

TEST POINT INFORMATION

- ⊕ : INDICATES A TEST POINT WITH A JUMPER WIRE ACROSS A HOLE IN THE PCB.
- ⊞ : USED TO INDICATE A TEST POINT WITH A COMPONENT LEAD ON FOIL SIDE.
- ⊚ : USED TO INDICATE A TEST POINT WITH NO TEST PIN.
- : USED TO INDICATE A TEST POINT WITH A TEST PIN.

(DECK ASSEMBLY)



Video Block Diagram

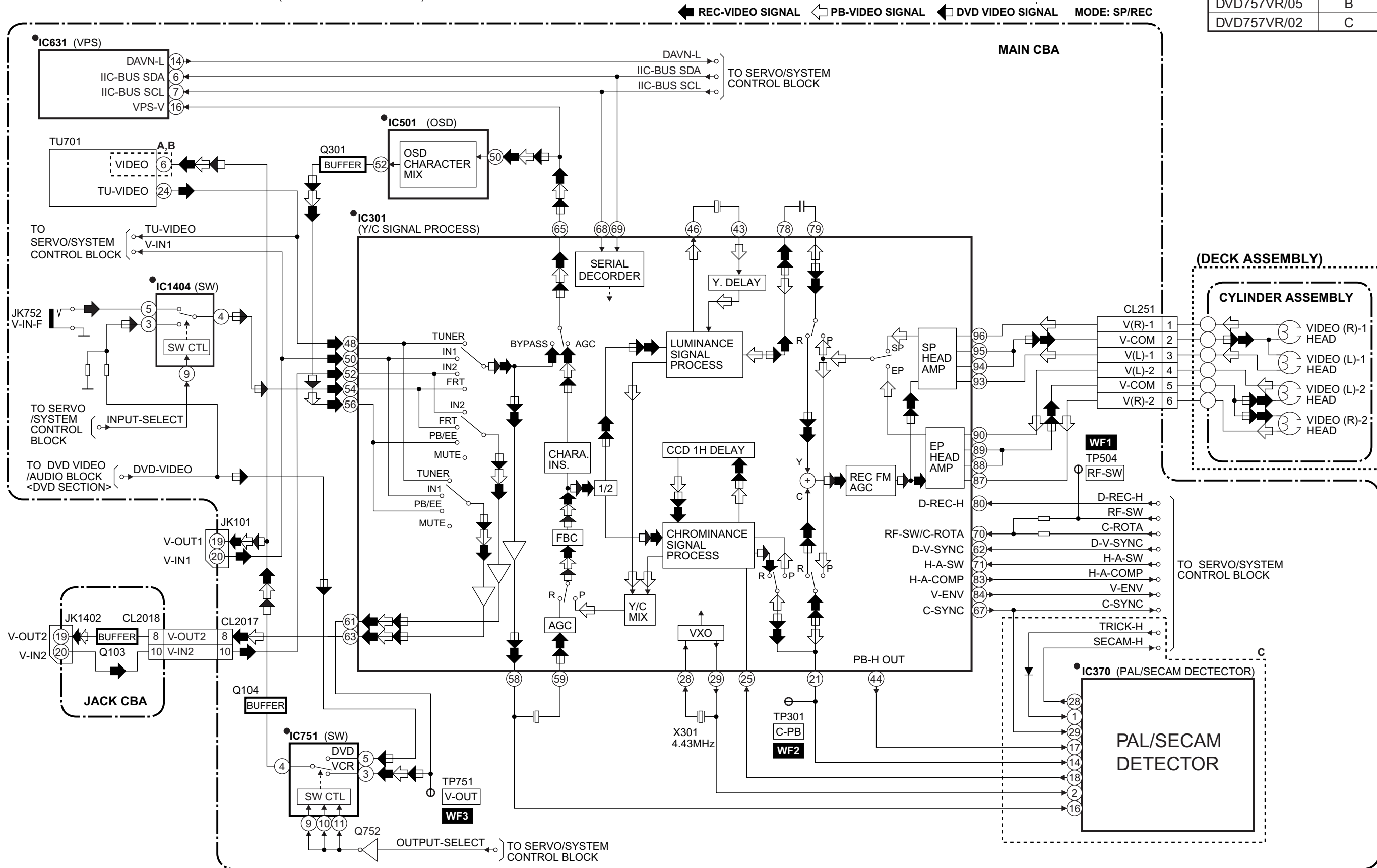
NOTE FOR WIRE CONNECTORS:
 1. PREFIX SYMBOL "CN" MEANS CONNECTOR.
 (CAN DISCONNECT AND RECONNECT.)
 2. PREFIX SYMBOL "CL" MEANS WIRE-SOLDER
 HOLES OF THE PCB.
 (WIRE IS SOLDERED DIRECTLY.)

TEST POINT INFORMATION
 ○ :INDICATES A TEST POINT WITH A JUMPER WIRE ACROSS A HOLE IN THE PCB.
 □ :USED TO INDICATE A TEST POINT WITH A COMPONENT LEAD ON FOIL SIDE.
 ⊙ :USED TO INDICATE A TEST POINT WITH NO TEST PIN.
 ● :USED TO INDICATE A TEST POINT WITH A TEST PIN.

"●" = SMD

Comparison Chart of Models & Marks

Model	Mark
DVD757VR/00	A
DVD757VR/05	B
DVD757VR/02	C

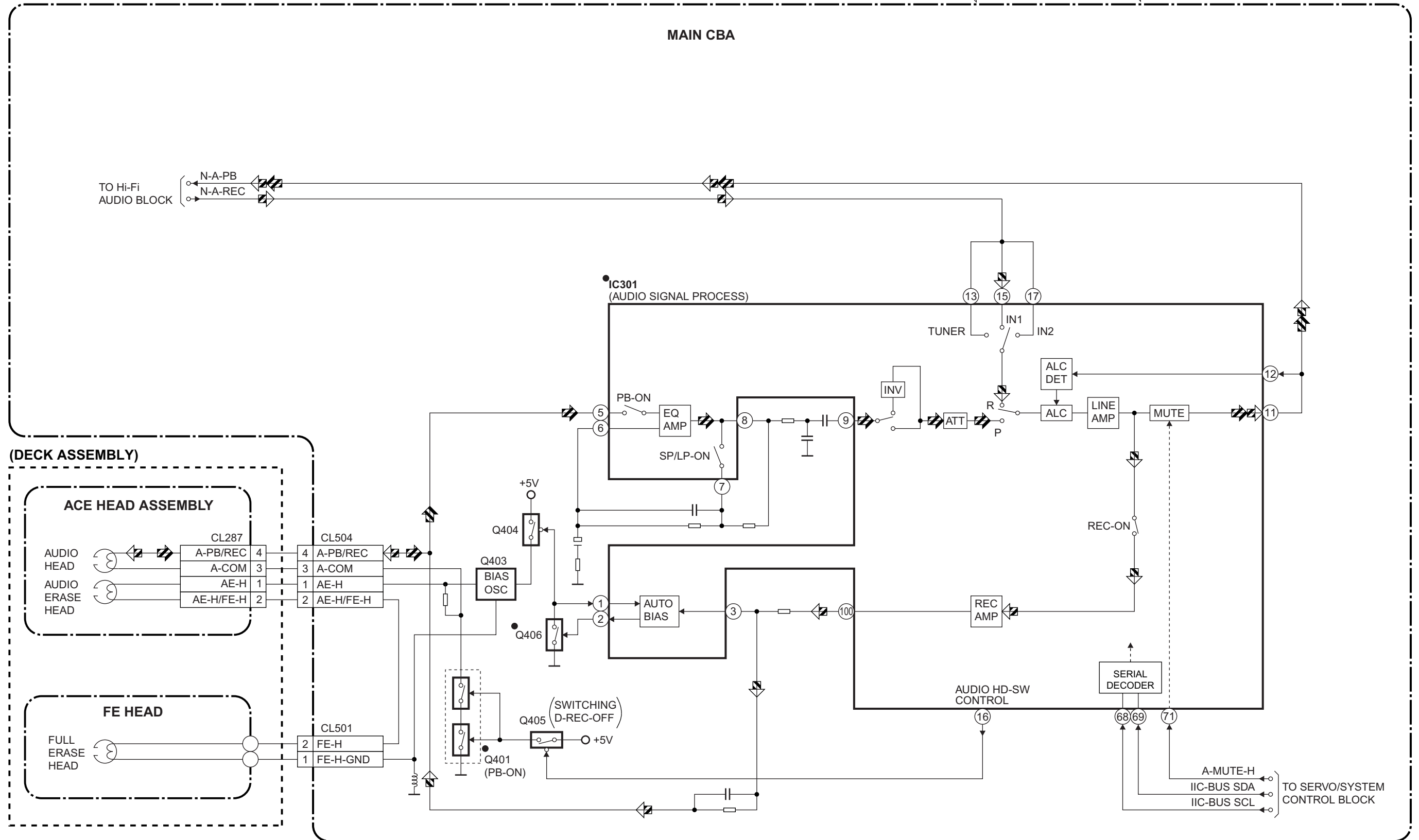


Audio Block Diagram

"●" = SMD

NOTE FOR WIRE CONNECTORS:
 1. PREFIX SYMBOL "CN" MEANS CONNECTOR.
 (CAN DISCONNECT AND RECONNECT.)
 2. PREFIX SYMBOL "CL" MEANS WIRE-SOLDER
 HOLES OF THE PCB.
 (WIRE IS SOLDERED DIRECTLY.)

↔ PB-AUDIO SIGNAL ↔ REC-AUDIO SIGNAL Mode : SP/REC



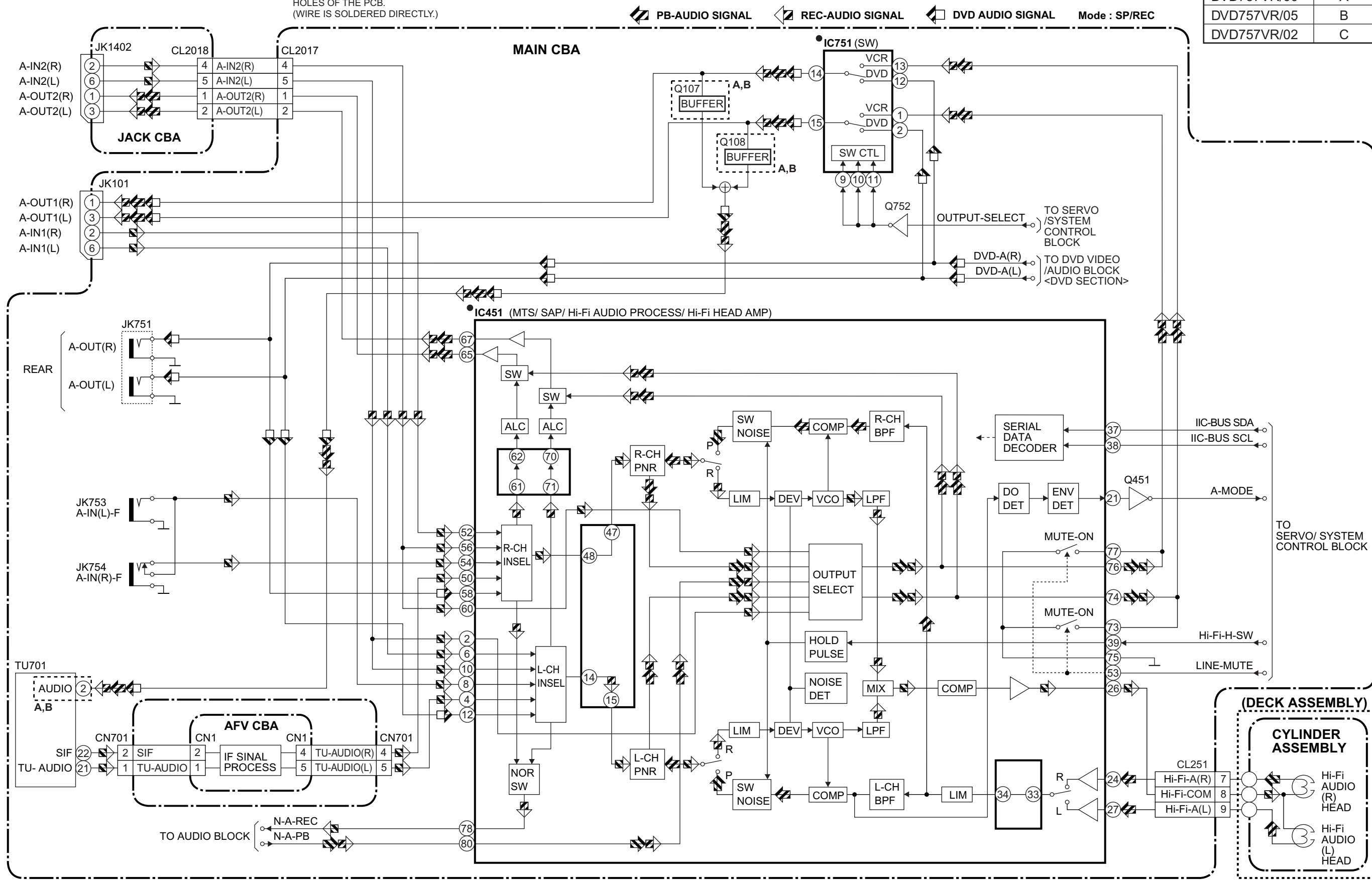
Hi-Fi Audio Block Diagram

"●" = SMD

NOTE FOR WIRE CONNECTORS:
 1. PREFIX SYMBOL "CN" MEANS CONNECTOR.
 (CAN DISCONNECT AND RECONNECT.)
 2. PREFIX SYMBOL "CL" MEANS WIRE-SOLDER
 HOLES OF THE PCB.
 (WIRE IS SOLDERED DIRECTLY.)

Comparison Chart of Models & Marks

Model	Mark
DVD757VR/00	A
DVD757VR/05	B
DVD757VR/02	C

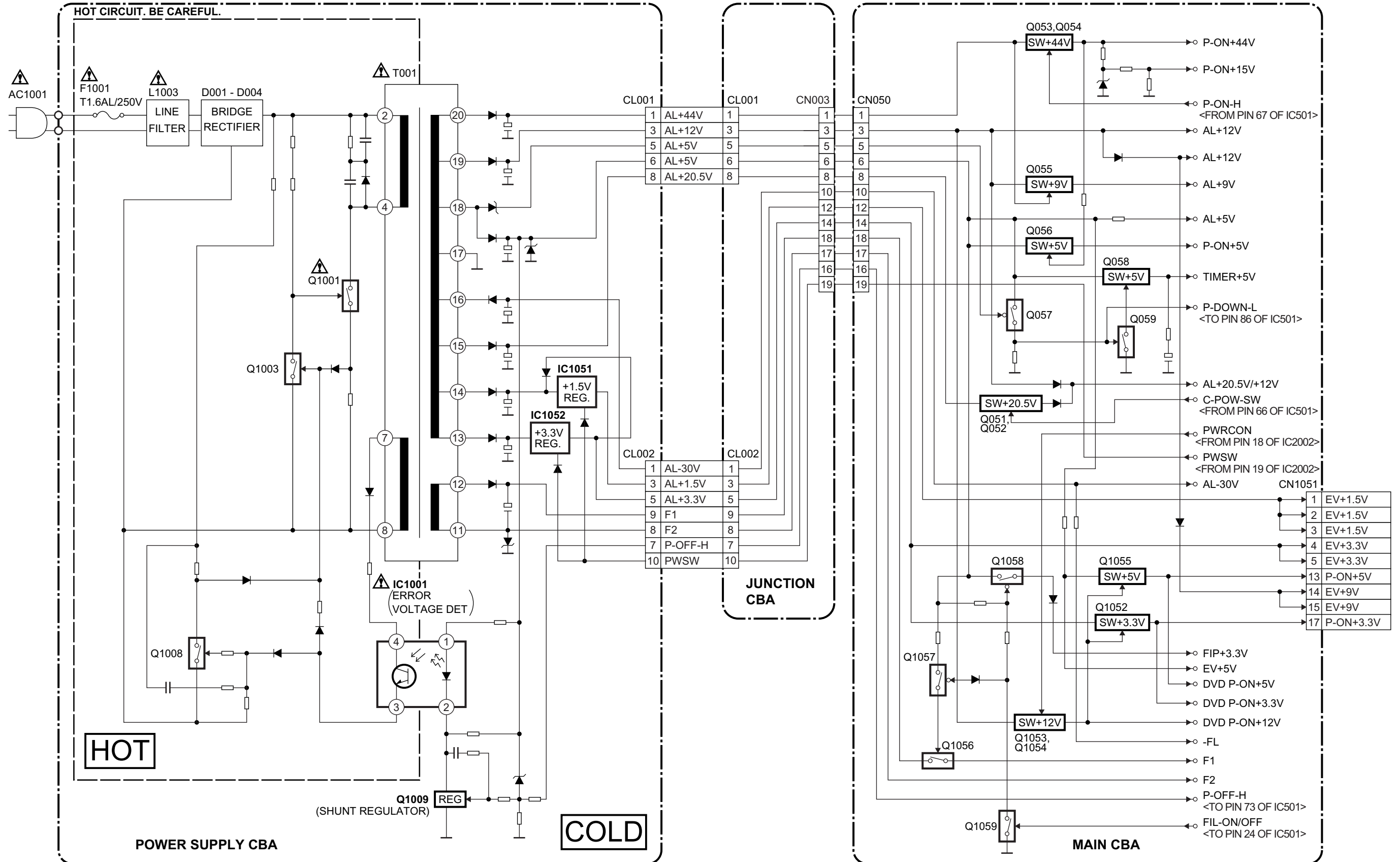


Power Supply Block Diagram

NOTE :
The voltage for parts in hot circuit is measured using hot GND as a common terminal.

CAUTION
FOR CONTINUED PROTECTION AGAINST FIRE HAZARD,
REPLACE ONLY WITH THE SAME TYPE T1.6AL/250V FUSE.

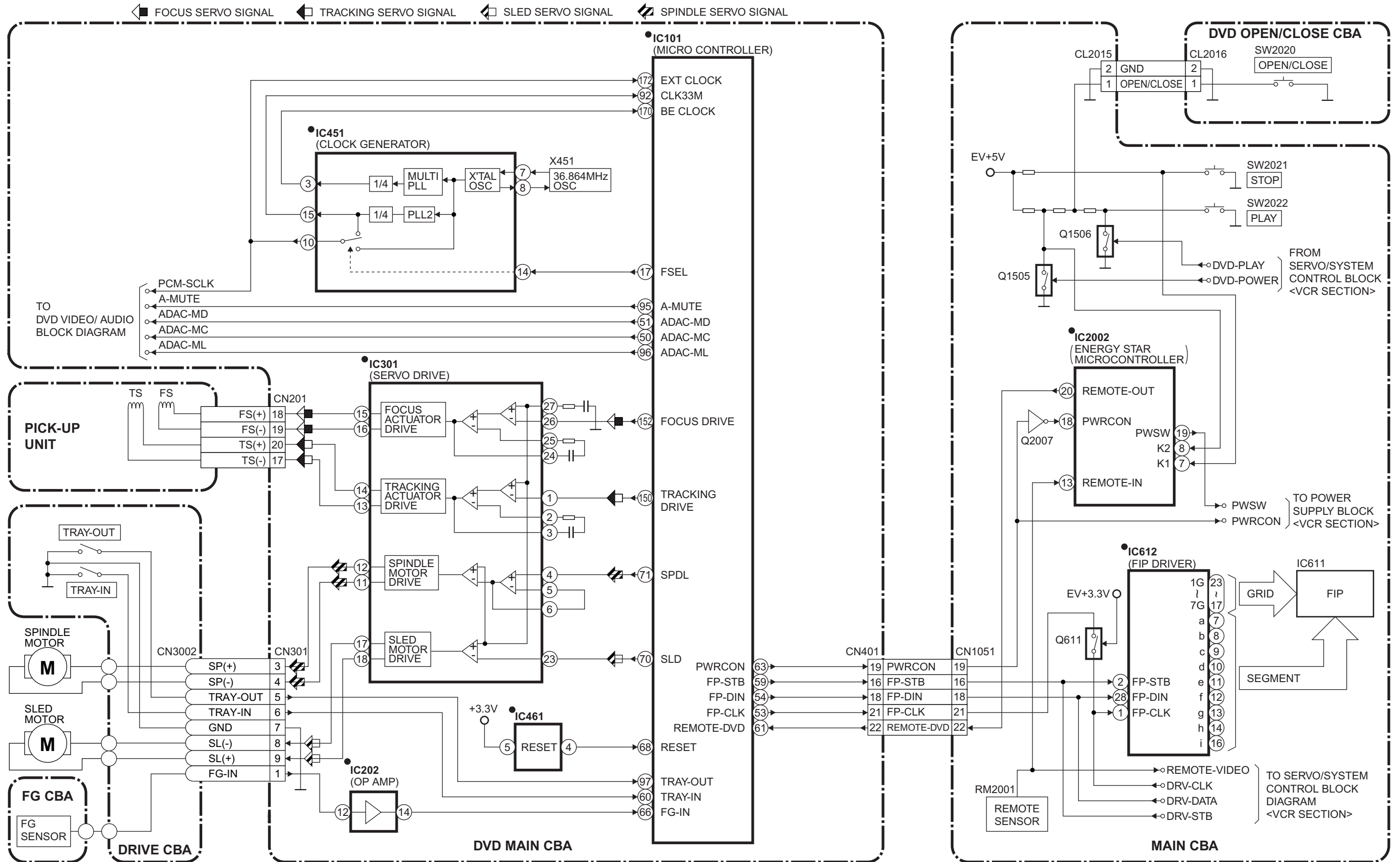
CAUTION !
Fixed voltage (or Auto voltage selectable) power supply circuit is used in this unit.
If Main Fuse (F001) is blown, check to see that all components in the power supply circuit are not defective before you connect the AC plug to the AC power supply.
Otherwise it may cause some components in the power supply circuit to fail.



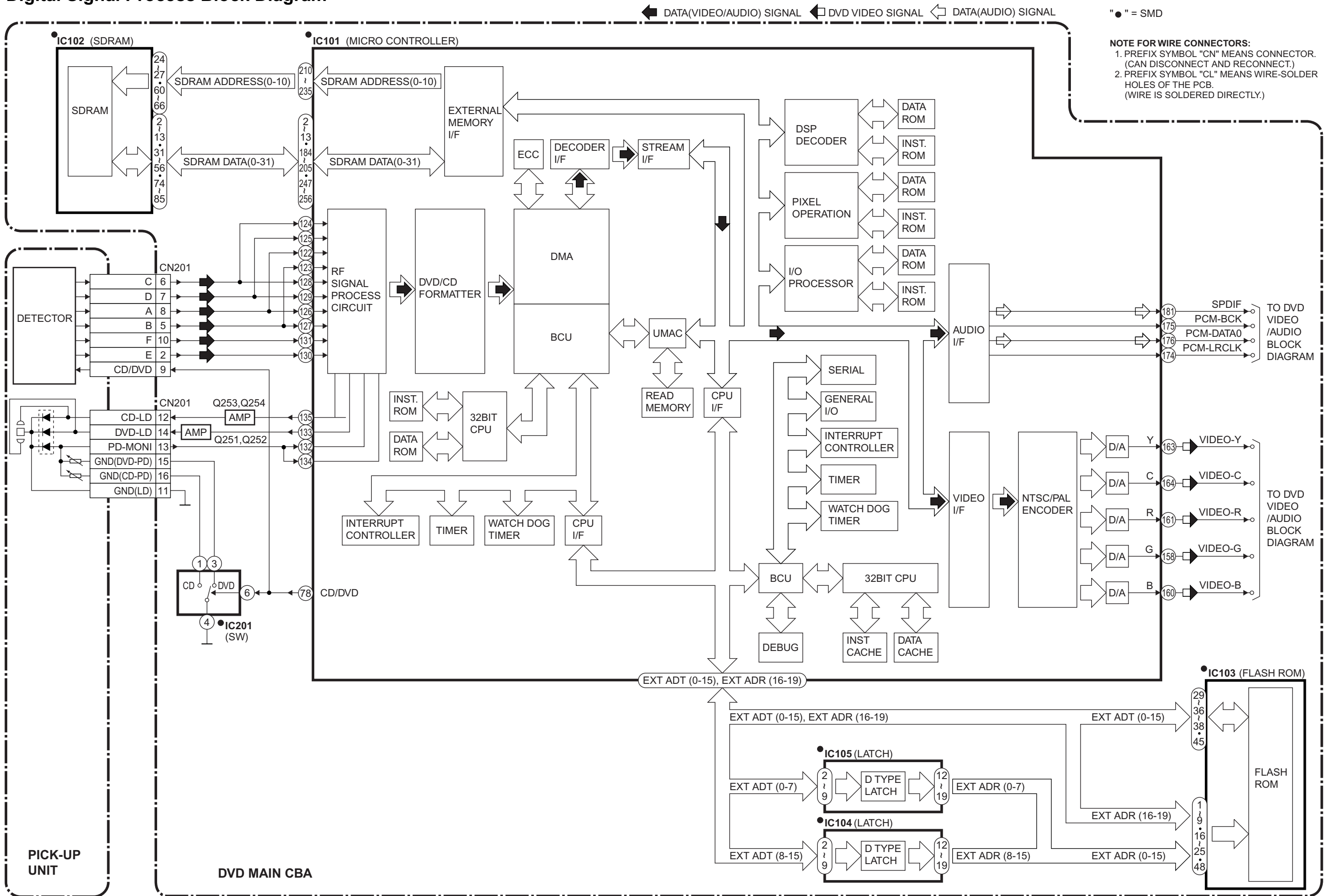
DVD System Control/Servo Block Diagram

"●" = SMD

NOTE FOR WIRE CONNECTORS:
 1. PREFIX SYMBOL "CN" MEANS CONNECTOR.
 (CAN DISCONNECT AND RECONNECT.)
 2. PREFIX SYMBOL "CL" MEANS WIRE-SOLDER
 HOLES OF THE PCB.
 (WIRE IS SOLDERED DIRECTLY.)



Digital Signal Process Block Diagram

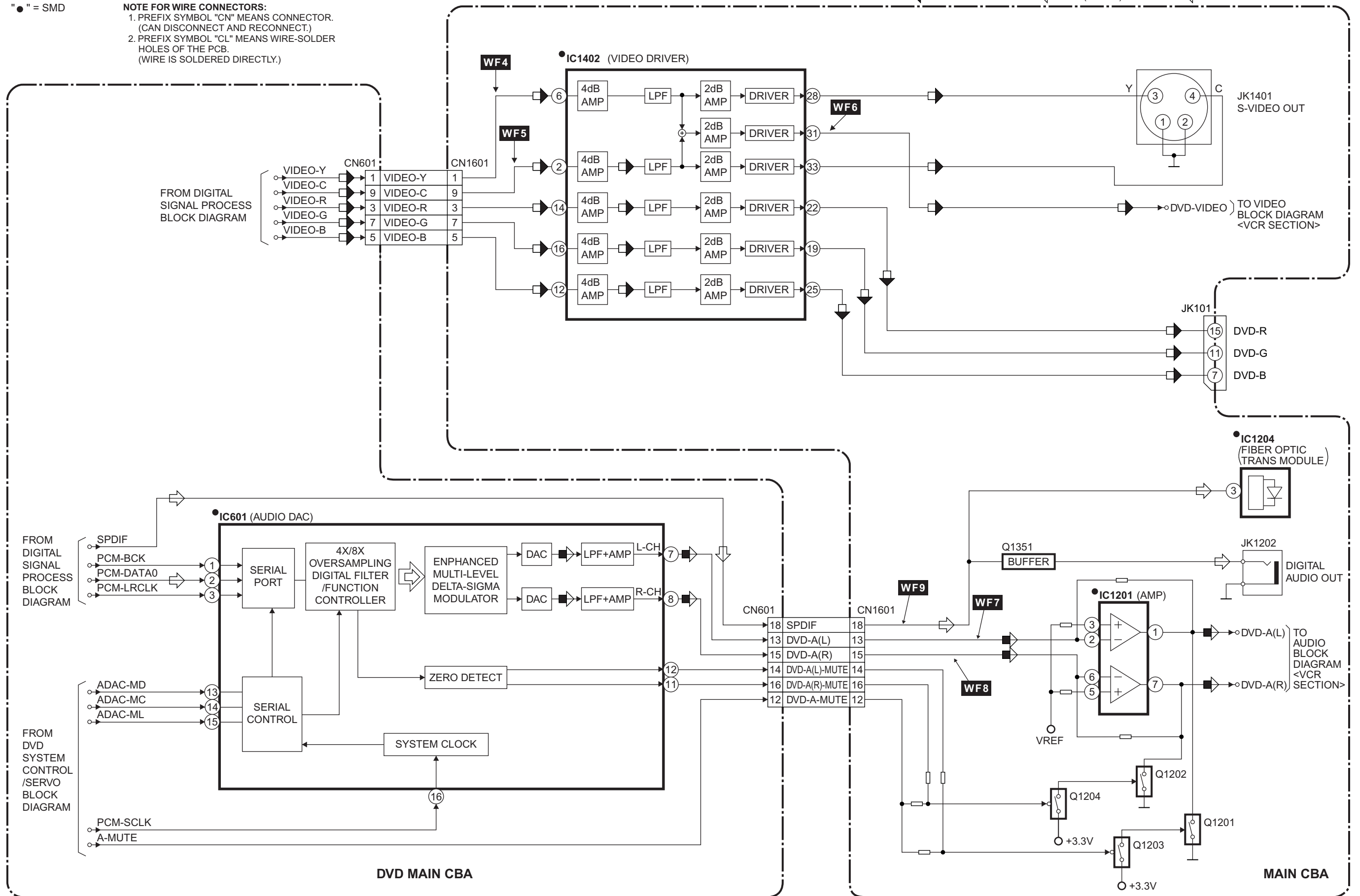


DVD Video / Audio Block Diagram

"●" = SMD

NOTE FOR WIRE CONNECTORS:
 1. PREFIX SYMBOL "CN" MEANS CONNECTOR.
 (CAN DISCONNECT AND RECONNECT.)
 2. PREFIX SYMBOL "CL" MEANS WIRE-SOLDER
 HOLES OF THE PCB.
 (WIRE IS SOLDERED DIRECTLY.)

◀ DVD VIDEO SIGNAL ◀ DATA(AUDIO) SIGNAL ◀ DVD AUDIO SIGNAL



SCHEMATIC DIAGRAMS / CBA'S AND TEST POINTS

Standard Notes

WARNING

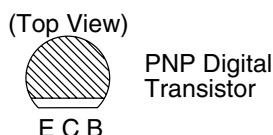
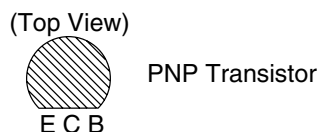
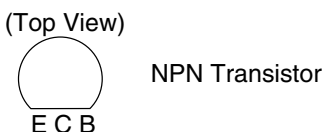
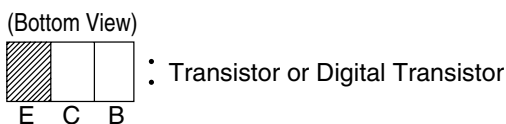
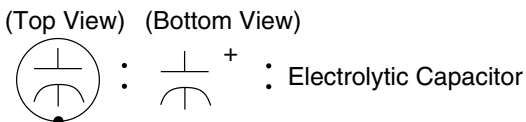
Many electrical and mechanical parts in this chassis have special characteristics. These characteristics often pass unnoticed and the protection afforded by them cannot necessarily be obtained by using replacement components rated for higher voltage, wattage, etc. Replacement parts that have these special safety characteristics are identified in this manual and its supplements; electrical components having such features are identified by the mark "△" in the schematic diagram and the parts list. Before replacing any of these components, read the parts list in this manual carefully. The use of substitute replacement parts that do not have the same safety characteristics as specified in the parts list may create shock, fire, or other hazards.

Capacitor Temperature Markings

Mark	Capacity change rate	Standard temperature	Temperature range
(B)	±10%	20°C	-25~+85°C
(F)	±30 - 80%	20°C	-25~+85°C
(SR)	±15%	20°C	-25~+85°C
(Y)	±22.5%	20°C	-25~+85°C

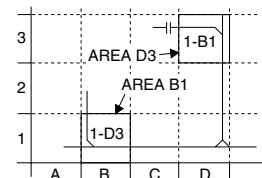
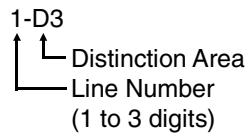
Capacitors and transistors are represented by the following symbols.

< PCB Symbols >



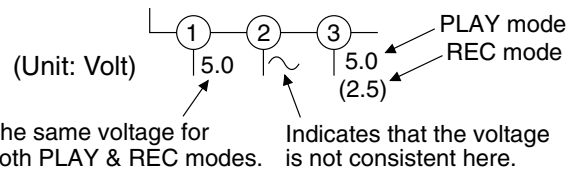
Notes:

- Do not use the part number shown on these drawings for ordering. The correct part number is shown in the parts list, and may be slightly different or amended since these drawings were prepared.
- To maintain original function and reliability of repaired units, use only original replacement parts which are listed with their part numbers in the parts list section of the service manual.
- Prefix symbol "CN" means "connector" (can disconnect and reconnect). Prefix symbol "CL" means "wire-solder holes of the PCB" (wire is soldered directly).
- How to read converged lines.

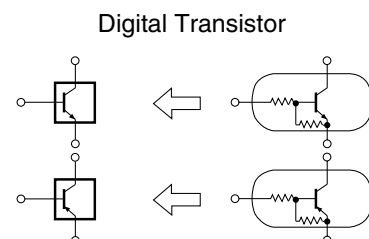


Examples:

- "1-D3" means that line number "1" goes to area "D3."
- "1-B1" means that line number "1" goes to area "B1."
- All resistance values are indicated in ohms ($K=10^3$, $M=10^6$).
- Resistor wattages are 1/4W or 1/6W unless otherwise specified.
- All capacitance values are indicated in μF ($P=10^{-6} \mu F$).
- All voltages are DC voltages unless otherwise specified.
- Voltage indications for PLAY and REC modes on the schematics are as shown below.



< Schematic Diagram Symbols >

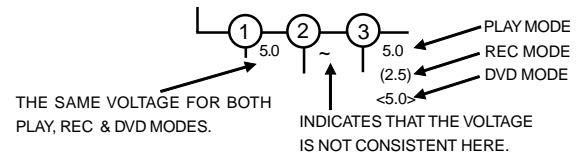


Main 1/11 Schematic Diagram Parts Location Guide

Ref No.	Position	Ref No.	Position	Ref No.	Position
CAPACITORS		CONNECTORS		RESISTORS	
C505	E-1	CL502	F-4	R550	C-1
C506	B-1	CL504	A-3	R551	C-4
C508	B-1	DIODES		R552	C-1
C509	A-2	D510	E-4	R555	D-2
C510	A-2	D511	E-4	R558	C-4
C511	A-3	D512	E-3	R560	C-4
C513	A-2	D555	A-1	R565	D-4
C514	A-2	ICS		R567	E-4
C515	A-3	IC501	C-3	R568	E-4
C516	A-2	IC502	A-4	R569	E-4
C517	B-2	COILS		R570	D-1
C518	A-3	L501	A-1	R572	D-4
C519	B-2	L502	D-4	R574	D-2
C521	B-2	L503	D-3	R575	D-2
C522	B-1	TRANSISTORS		R576	C-4
C524	B-4	Q506	D-1	R577	D-3
C527	C-1	Q510	A-2	R578	D-3
C531	E-4	Q513	E-3	R581	E-3
C533	E-4	Q514	E-3	R582	E-2
C534	D-4	Q515	E-2	R584	E-3
C535	D-3	RESISTORS		R585	E-2
C536	D-4	R509	E-1	R586	E-2
C538	D-4	R512	E-1	R588	F-3
C539	D-3	R513	D-1	SWITCHES	
C540	D-3	R517	A-1	SW506	D-1
C541	E-2	R536	A-2	VARIABLE RESISTOR	
C542	E-2	R537	B-2	VR501	B-1
C543	E-2	R538	B-3	CRYSTAL OSCILLATORS	
C544	E-2	R539	B-4	X501	D-2
C545	E-3	R540	B-4	X502	D-2
C546	E-3	R541	B-1	MISCELLANEOUS	
C547	E-3	R542	B-1	PS502	E-1
C548	E-2	R543	B-2	TEST POINTS	
C549	E-2	R544	B-1	TP503	A-2
C550	E-2	R545	B-1	TP504	C-1
C553	E-2	R546	C-2		
C555	E-4	R547	C-1		
CONNECTORS		R548	C-1		
CL501	A-2	R549	C-1		

Main 1/11 Schematic Diagram < VCR Section >

● = SMD

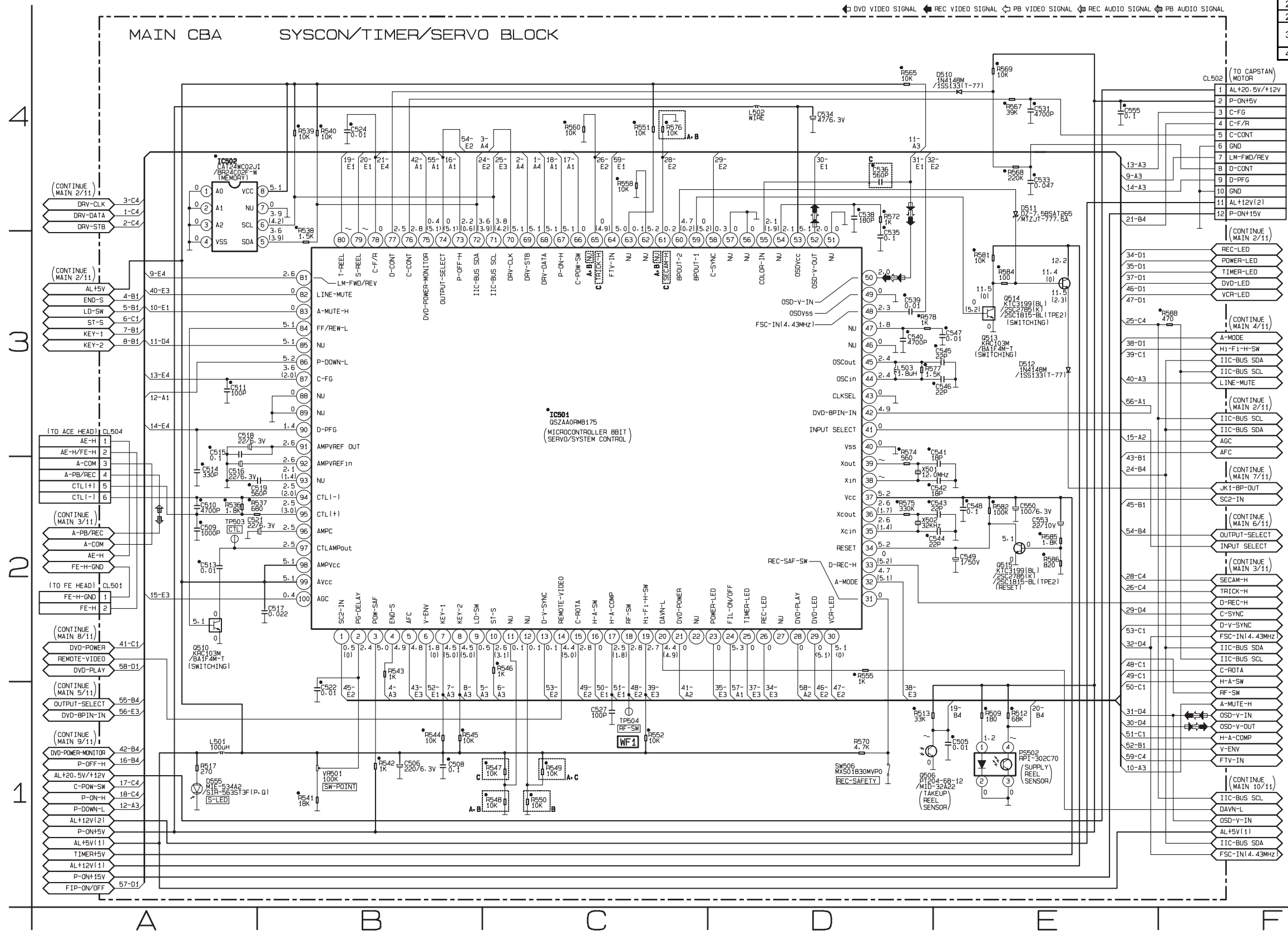


Comparison Chart of Models and Marks

MODEL	MARK
DVD757VR/00	A
DVD757VR/05	B
DVD757VR/02	C

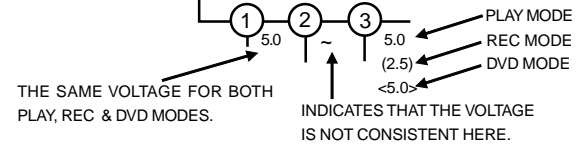
IC501 KEY VOLTAGE CHART

	KEY 1 (7 PIN)	KEY 2 (8 PIN)
0.00 ~ 0.51V	REC/OTR	-----
0.51 ~ 0.92V	POWER	-----
0.92 ~ 1.27V	OUT-PUT	PLAY
1.27 ~ 1.61V	-----	-----
1.61 ~ 1.98V	-----	-----
1.98 ~ 2.39V	-----	S-INH
2.39 ~ 2.90V	-----	-----
2.90 ~ 3.60V	-----	-----
3.60 ~ 4.30V	DIRECT DUBBING	-----
4.30 ~ 5.00V	KEY OFF	KEY OFF



Main 2/11 Schematic Diagram < VCR Section >

● = SMD



* 1 Note:

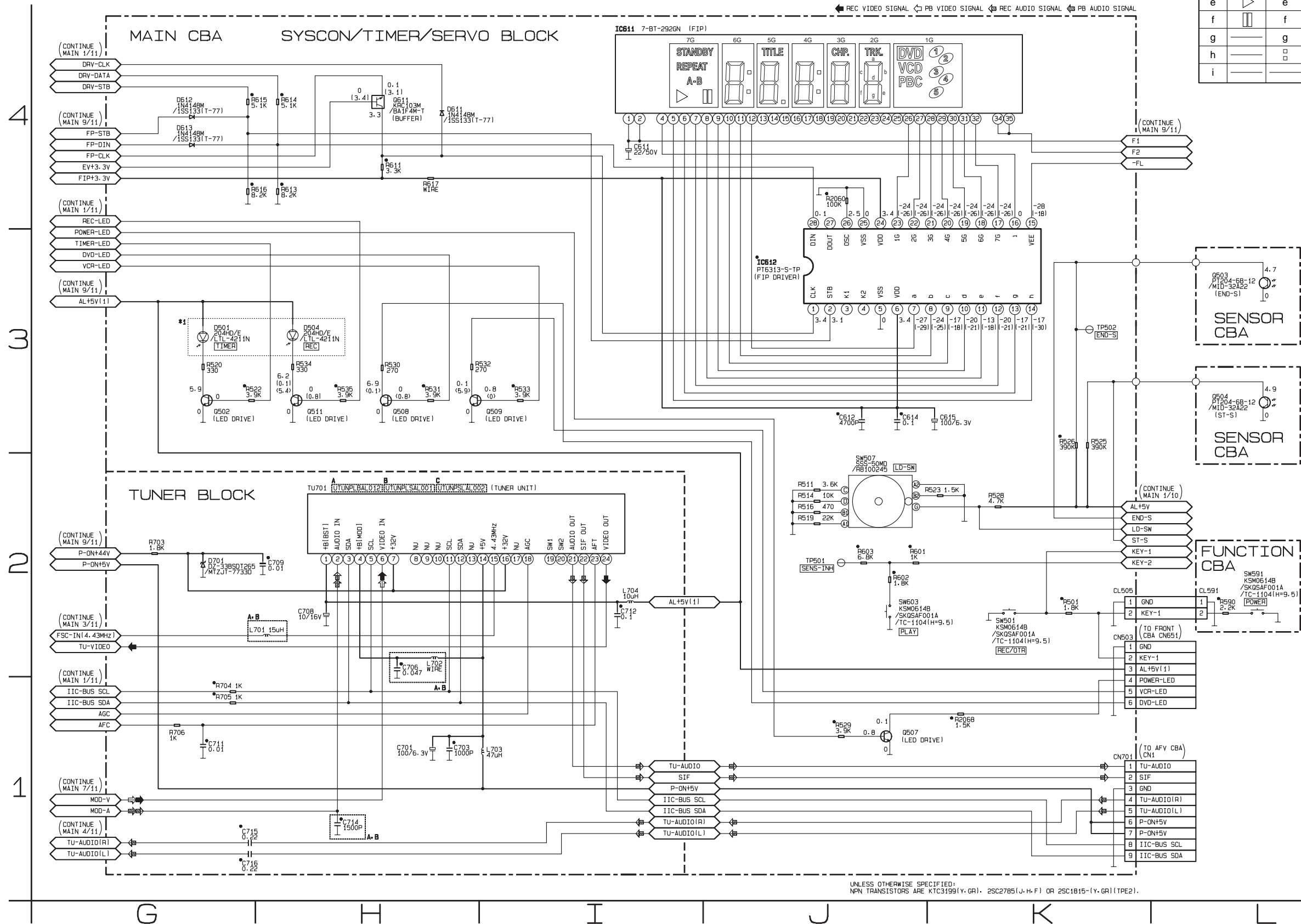
When it is necessary to replace one or more of the following Diodes, all one should be replaced: D501, D504.

FL2001 MATRIX CHART

	7G	6G	5G	4G	3G	2G	1G
a	STANDBY	a	a	a	a	a	①
b	REPEAT	b	b	b	b	b	②
c	A	c	c	c	c	c	③
d	B	d	d	d	d	d	④
e	▶	e	e	e	e	e	⑤
f	⏸	f	f	f	f	f	DVD
g	—	g	g	g	g	g	PBC
h	□	□	TITLE	□	CHP. TRK.	□	CD
i	—	—	□	—	—	—	V

Comparison Chart of Models and Marks

MODEL	MARK
DVD757VR/00	A
DVD757VR/05	B
DVD757VR/02	C



UNLESS OTHERWISE SPECIFIED:
NPN TRANSISTORS ARE KTC3199(Y,GR), 2SC2785(J,H,F) OR 2SC1815-(Y,GR)(TPE2).

Main 2/11 Schematic Diagram Parts Location Guide

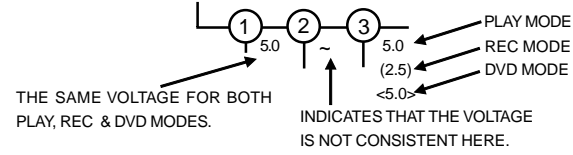
Ref No.	Position	Ref No.	Position
CAPACITORS		RESISTORS	
C611	I-4	R501	K-2
C612	J-3	R511	J-2
C614	J-3	R514	J-2
C615	K-3	R516	J-2
C701	H-1	R519	J-2
C703	H-1	R520	G-3
C706	H-2	R522	G-3
C708	H-2	R523	K-2
C709	H-2	R525	K-3
C711	G-1	R526	K-3
C712	I-2	R528	K-2
C714	H-1	R529	J-1
C715	G-1	R530	H-3
C716	G-1	R531	H-3
CONNECTORS		R532	H-3
CN503	K-2	R533	I-3
CN701	K-1	R534	H-3
CL505	K-2	R535	H-3
DIODES		R601	J-2
D501	G-3	R602	J-2
D504	H-3	R603	J-2
D611	H-4	R611	H-4
D612	G-4	R613	H-4
D613	G-4	R614	H-4
D701	G-2	R615	G-4
ICS		R616	G-4
IC611	I-4	R617	H-4
IC612	J-3	R703	G-2
COILS		R704	G-1
L701	H-2	R705	G-1
L702	H-2	R706	G-1
L703	I-1	SWITCHES	
L704	I-2	SW501	K-2
TRANSISTORS		SW507	J-2
Q502	G-3	SW603	J-2
Q507	J-1	MISCELLANEOUS	
Q508	H-3	TU701	H-2
Q509	H-3	TEST POINTS	
Q511	H-3	TP501	J-2
Q611	H-4	TP502	K-3

Main 3/11 Schematic Diagram Parts Location Guide

Ref No.	Position	Ref No.	Position	Ref No.	Position	Ref No.	Position
CAPACITORS		CAPACITORS		TRANSISTORS		RESISTORS	
C251	N-3	C346	P-4	Q301	N-4	R337	P-4
C252	N-3	C347	P-4	Q302	N-3	R339	P-4
C253	N-3	C348	P-4	Q401	M-1	R401	M-1
C254	N-3	C349	P-4	Q403	N-1	R402	M-2
C301	P-1	C350	N-4	Q404	N-2	R404	N-1
C302	P-2	C402	M-1	Q405	N-1	R405	N-2
C303	P-1	C403	M-2	Q406	N-1	R406	N-2
C305	P-1	C404	N-1	Q451	W-2	R407	N-2
C306	P-2	C405	N-2	Q775	R-1	R408	N-2
C307	P-1	C407	O-1	Q776	R-1	R409	N-2
C308	P-1	C408	O-2	RESISTORS		R410	N-2
C309	Q-4	C409	O-1	R251	N-3	R411	O-2
C310	Q-4	C412	O-2	R252	N-3	R412	O-1
C311	Q-3	C413	O-2	R301	P-1	R413	O-2
C312	Q-3	C410	O-1	R303	P-1	R414	O-1
C313	Q-3	C411	O-1	R304	Q-4	R415	O-1
C314	Q-3	C412	O-1	R305	Q-2	R416	O-1
C315	Q-2	C414	O-1	R306	Q-3	R417	O-1
C316	Q-3	C415	O-1	R307	Q-4	R418	O-1
C317	Q-3	C416	O-1	R308	Q-2	R419	O-1
C318	Q-2	C417	O-2	R309	Q-4	R420	O-1
C319	Q-3	C418	O-1	R310	Q-3	R421	O-1
C320	Q-4	C419	O-1	R311	Q-4	R775	Q-2
C321	Q-4	C420	P-2	R312	Q-2	R776	Q-2
C322	Q-3	C421	P-1	R314	Q-2	R777	Q-2
C323	Q-3	C775	Q-1	R316	M-4	R778	Q-1
C324	Q-3	C776	Q-2	R317	M-4	R779	Q-2
C325	Q-2	C777	Q-2	R318	N-4	R780	Q-1
C326	Q-3	C778	Q-2	R319	N-3	R781	Q-2
C328	Q-3	C779	R-2	R320	N-3	R782	Q-1
C329	Q-2	C780	R-1	R321	N-4	R783	Q-1
C330	M-4	C781	R-2	R322	N-4	R784	Q-2
C331	N-4	C782	R-2	R323	N-4	R785	Q-1
C333	O-4	CONNECTORS		R324	N-4	R786	Q-2
C334	O-4	CL251	M-3	R325	O-4	R787	R-2
C335	O-4	DIODES		R326	O-4	R788	R-2
C336	O-4	D301	N-4	R327	O-4	R789	R-2
C337	O-4	ICS		R328	O-4	R790	R-1
C339	O-4	IC301	N-2	R330	O-4	R791	R-1
C340	O-4	IC775	Q-1	R331	N-4	CRYSTAL OSCILLATORS	
C341	O-4	COILS		R332	N-4	X301	P-2
C342	O-4	L251	N-3	R333	O-4	TEST POINTS	
C343	P-4	L302	O-4	R334	O-4	TP301	P-1
C344	P-4	L401	M-2	R335	P-4		
C345	P-4	L402	N-1	R336	P-4		

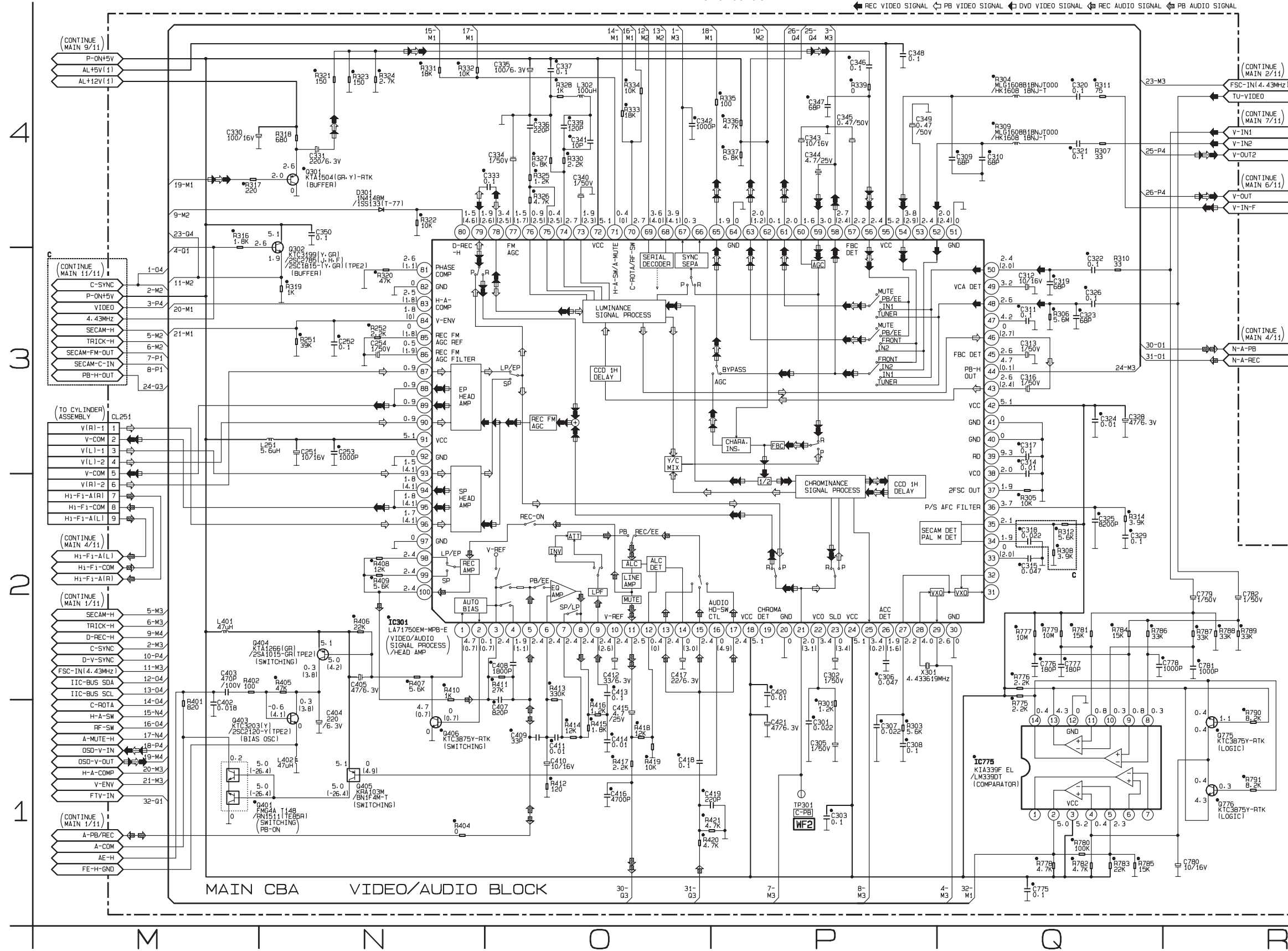
Main 3/11 Schematic Diagram < VCR Section >

• = SMD



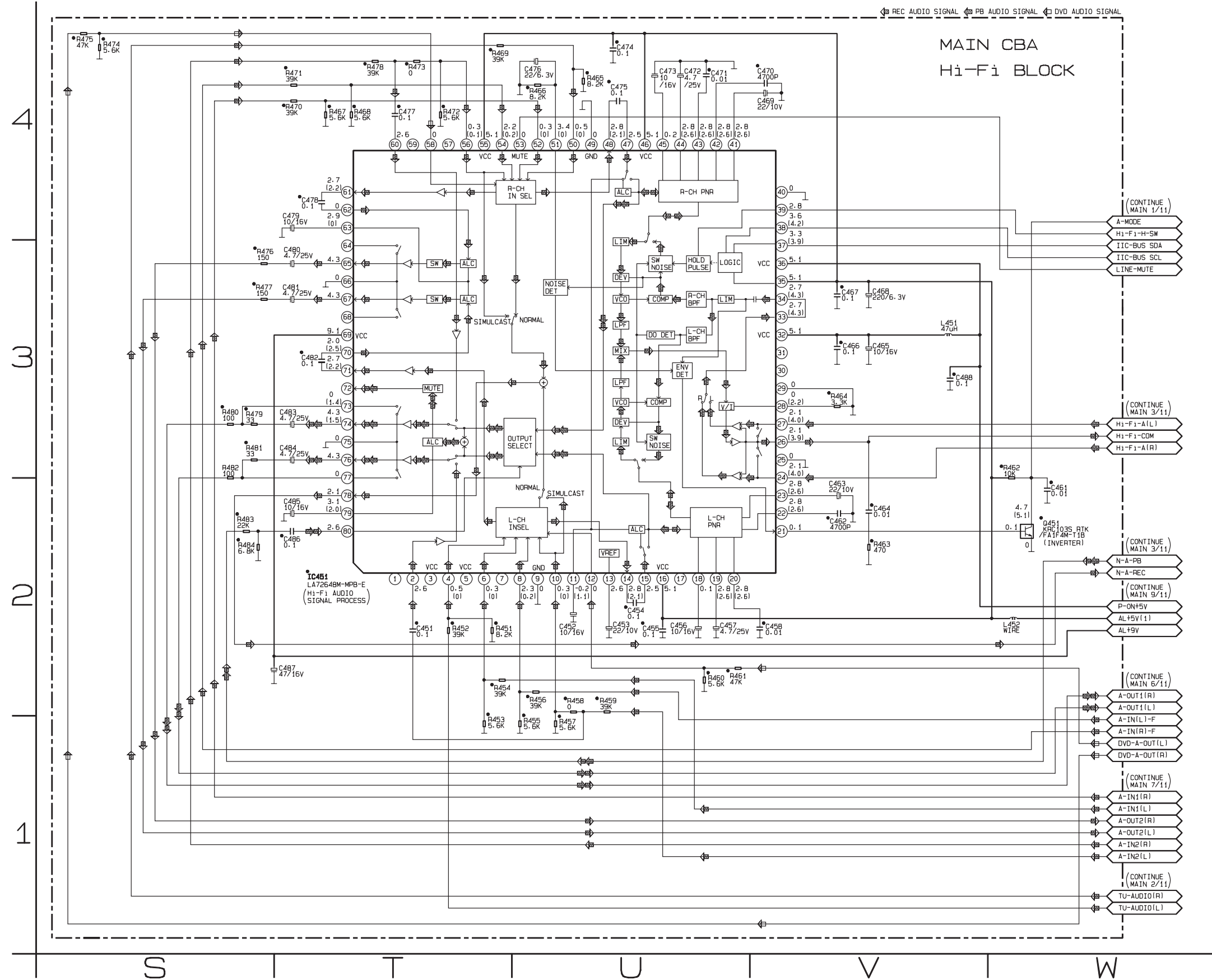
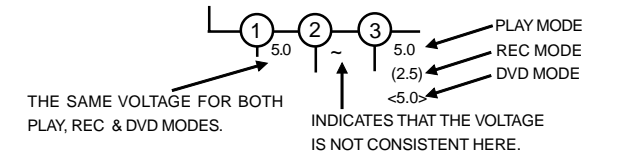
Comparison Chart of Models and Marks

MODEL	MARK
DVD757VR/00	A
DVD757VR/05	B
DVD757VR/02	C



Main 4/11 Schematic Diagram < VCR Section >

● = SMD



Main 4/11 Schematic Diagram Parts Location Guide

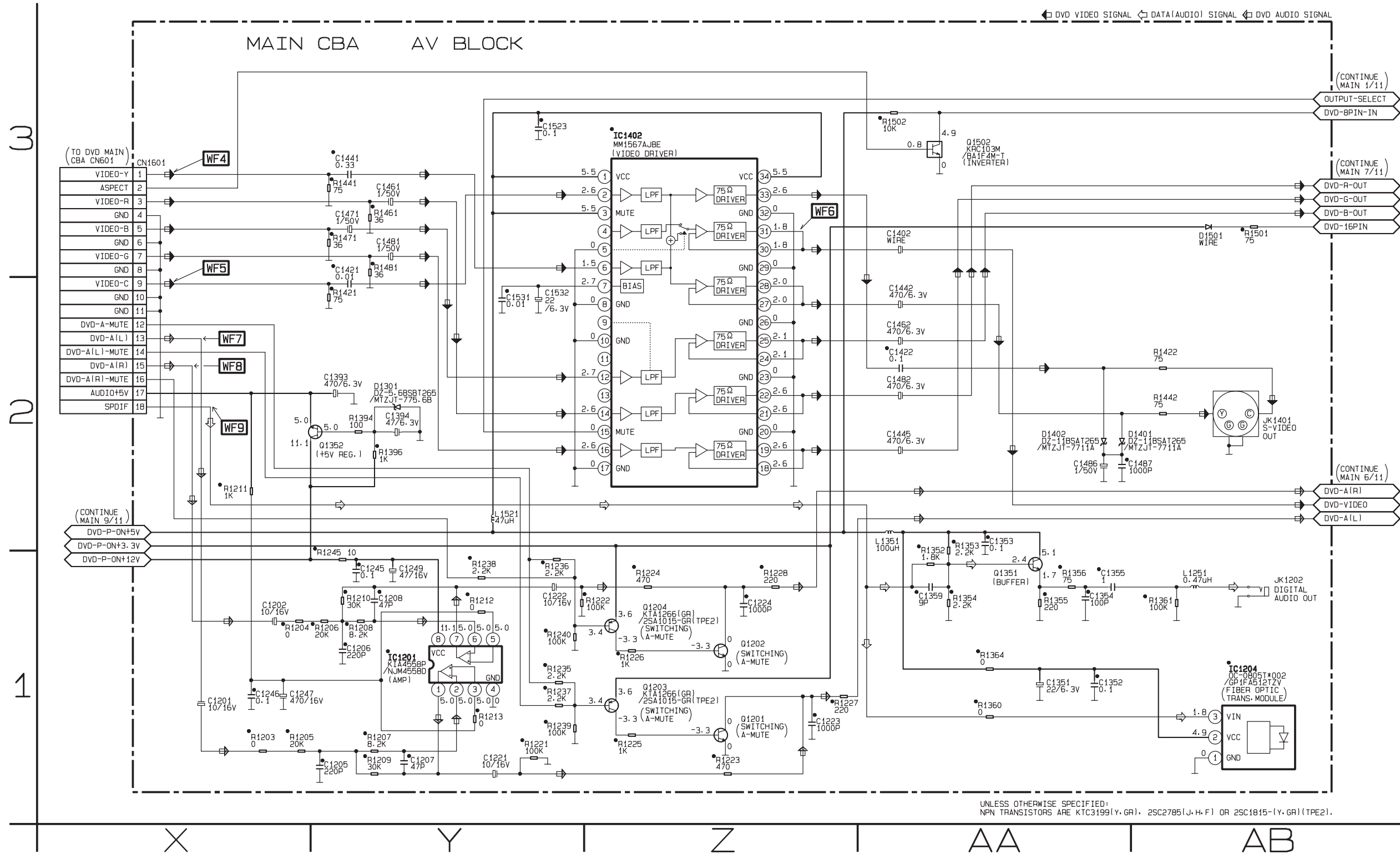
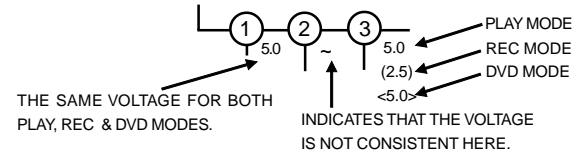
Ref No.	Position	Ref No.	Position
CAPACITORS		COILS	
C451	T-2	L451	V-3
C452	U-2	L452	W-2
C453	U-2	RESISTORS	
C454	U-2	R451	T-2
C455	U-2	R452	T-2
C456	U-2	R453	T-1
C457	U-2	R454	T-2
C458	V-2	R455	U-1
C461	W-2	R456	U-2
C462	V-2	R457	U-1
C463	V-2	R458	U-2
C464	V-2	R459	U-2
C465	V-3	R460	U-2
C466	V-3	R461	U-2
C467	V-3	R462	W-3
C468	V-3	R463	V-2
C469	V-4	R464	V-3
C470	V-4	R465	U-4
C471	U-4	R466	U-4
C472	U-4	R467	T-4
C473	U-4	R468	T-4
C474	U-4	R469	T-4
C475	U-4	R470	T-4
C476	U-4	R471	T-4
C477	T-4	R472	T-4
C478	T-4	R473	T-4
C479	T-4	R474	S-4
C480	T-3	R475	S-4
C481	T-3	R476	S-3
C482	T-3	R477	S-3
C483	T-3	R478	T-4
C484	T-3	R479	S-3
C485	T-2	R480	S-3
C486	T-2	R481	S-3
C487	T-2	R482	S-3
C488	V-3	R483	S-2
ICS		R484	S-2
IC451	T-2		

Main 5/11 Schematic Diagram Parts Location Guide

Ref No.	Position	Ref No.	Position	Ref No.	Position
CAPACITORS		CONNECTORS		RESISTORS	
C1201	X-1	CN1601	X-3	R1225	Z-1
C1202	X-1	DIODES		R1226	Z-1
C1205	Y-1	D1301	Y-2	R1227	Z-1
C1206	Y-1	D1401	AA-2	R1228	Z-1
C1207	Y-1	D1402	AA-2	R1235	Y-1
C1208	Y-1	D1501	AB-3	R1236	Y-1
C1221	Y-1	ICS		R1237	Y-1
C1222	Y-1	IC1201	Y-1	R1238	Y-1
C1223	Z-1	IC1204	AB-1	R1239	Y-1
C1224	Z-1	IC1402	Z-3	R1240	Y-1
C1245	Y-1	COILS		R1245	Y-1
C1246	X-1	L1251	AB-1	R1352	AA-1
C1247	X-1	L1351	AA-2	R1353	AA-2
C1249	Y-1	L1521	Y-2	R1354	AA-1
C1351	AA-1	TRANSISTORS		R1355	AA-1
C1352	AA-1	Q1201	Z-1	R1356	AA-1
C1353	AA-2	Q1202	Z-1	R1360	AA-1
C1354	AA-1	Q1203	Z-1	R1361	AB-1
C1355	AA-1	Q1204	Z-1	R1364	AA-1
C1359	AA-1	Q1351	AA-1	R1394	Y-2
C1393	Y-2	Q1352	Y-2	R1396	Y-2
C1394	Y-2	Q1502	AA-3	R1421	Y-2
C1402	AA-3	RESISTORS		R1422	AB-2
C1421	Y-2	R1203	X-1	R1441	Y-3
C1422	AA-2	R1204	X-1	R1442	AB-2
C1441	Y-3	R1205	X-1	R1461	Y-3
C1442	AA-2	R1206	Y-1	R1471	Y-3
C1445	AA-2	R1207	Y-1	R1481	Y-3
C1461	Y-3	R1208	Y-1	R1501	AB-3
C1462	AA-2	R1209	Y-1	R1502	AA-3
C1471	Y-3	R1210	Y-1	MISCELLANEOUS	
C1481	Y-3	R1211	X-2	JK1202	AB-1
C1482	AA-2	R1212	Y-1	JK1401	AB-2
C1486	AA-2	R1213	Y-1		
C1487	AA-2	R1221	Y-1		
C1523	Y-3	R1222	Y-1		
C1531	Y-2	R1223	Z-1		
C1532	Y-2	R1224	Z-1		

Main 5/11 Schematic Diagram < VCR Section >

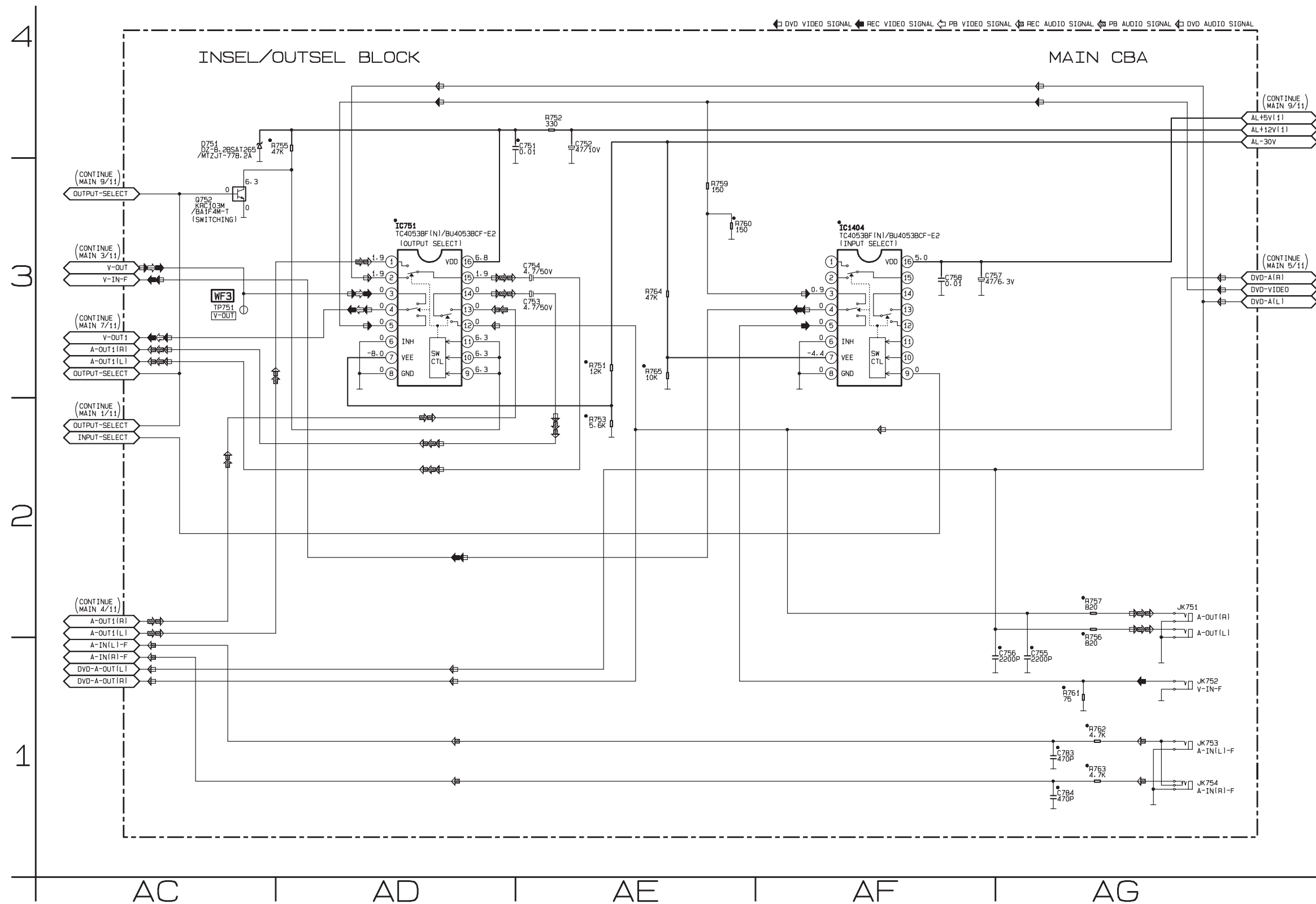
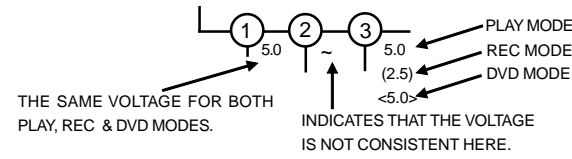
"●" = SMD



UNLESS OTHERWISE SPECIFIED:
NPN TRANSISTORS ARE KTC3199(Y,GR), 25C2785(J,H,F) OR 25C1815-(Y,GR)(TPE2).

Main 6/11 Schematic Diagram < VCR Section >

*● = SMD

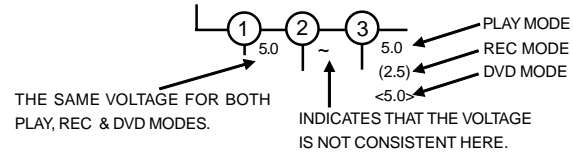


MAIN 6/11 Schematic Diagram
Parts Location Guide

Ref No.	Position
CAPACITORS	
C751	AE-4
C752	AE-4
C753	AE-3
C754	AE-3
C755	AG-1
C756	AG-1
C757	AF-3
C758	AF-3
C783	AG-1
C784	AG-1
DIODES	
D751	AC-4
ICS	
IC751	AD-3
IC1404	AF-3
RESISTORS	
R751	AE-3
R752	AE-4
R753	AE-2
R755	AD-4
R756	AG-2
R757	AG-2
R759	AE-3
R760	AE-3
R761	AG-1
R762	AG-1
R763	AG-1
R764	AE-3
R765	AE-3
MISCELLANEOUS	
JK751	AG-2
JK752	AG-1
JK753	AG-1
JK754	AG-1
TEST POINTS	
TP751	AC-3

Main 7/11 Schematic Diagram < VCR Section >

● = SMD

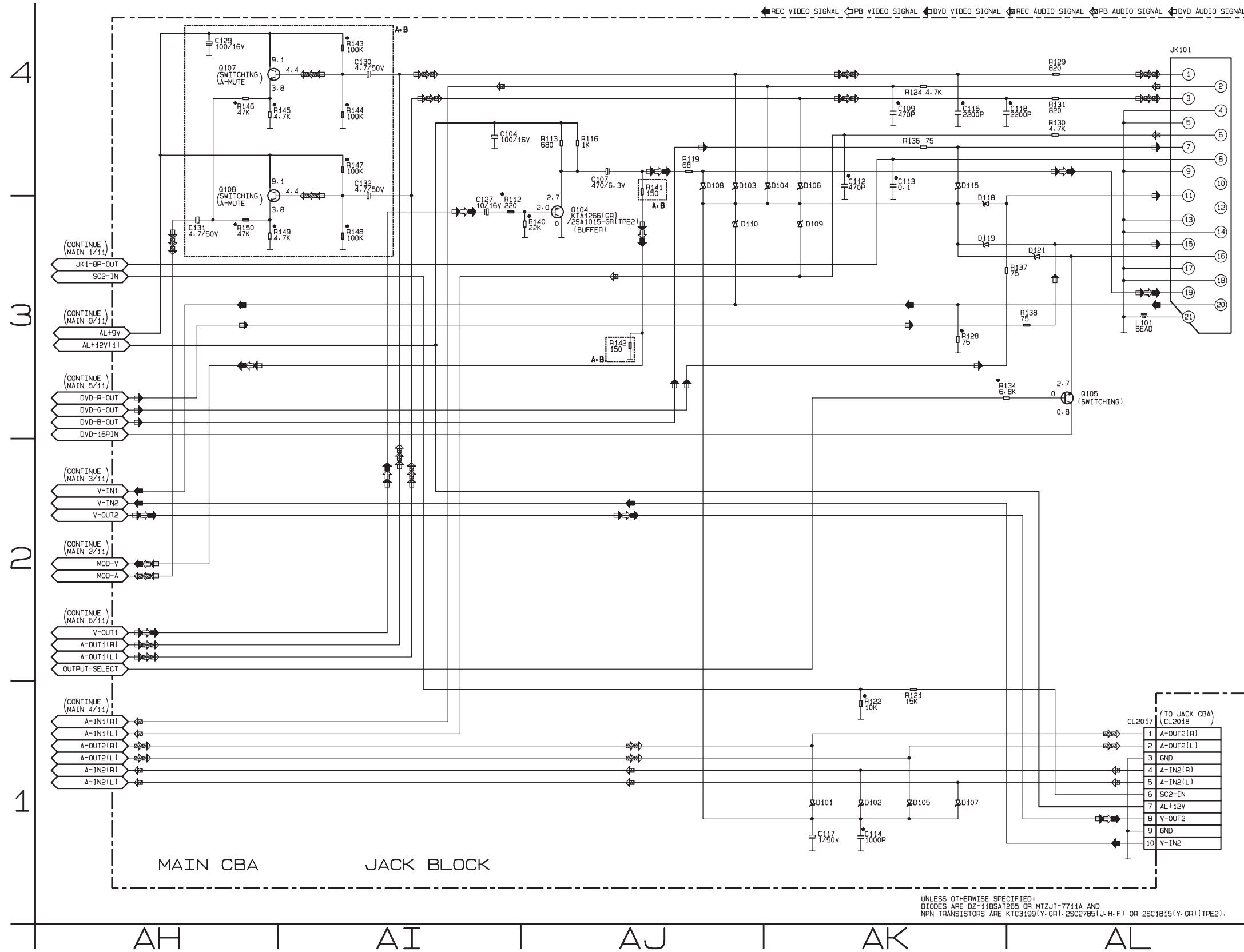


Comparison Chart of Models and Marks

MODEL	MARK
DVD757VR/00	A
DVD757VR/05	B
DVD757VR/02	C

MAIN 7/11 Schematic Diagram Parts Location Guide

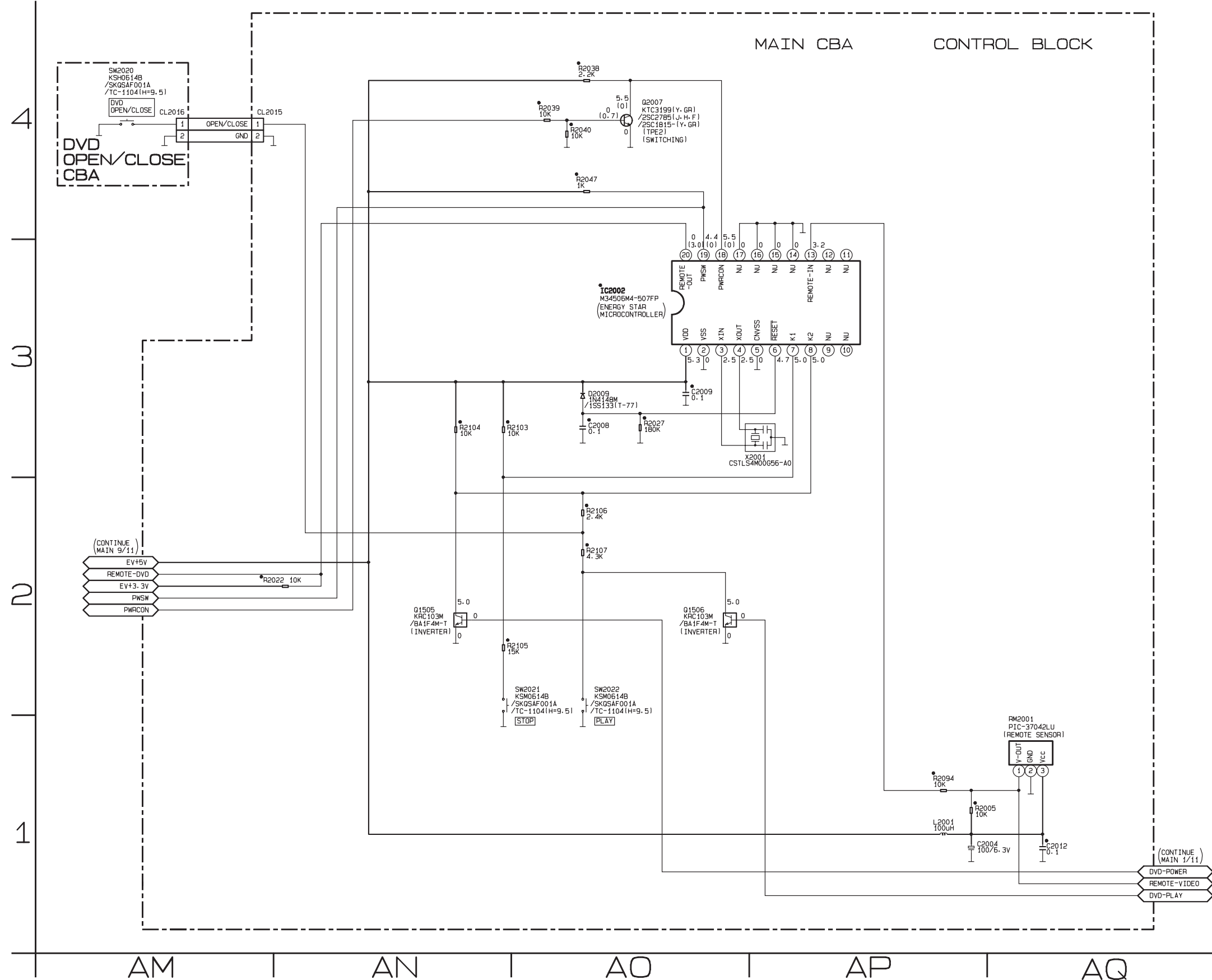
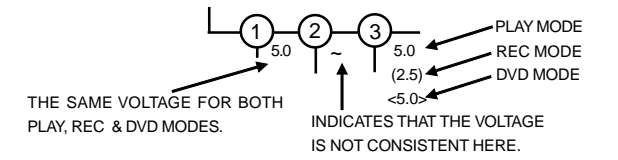
Ref No.	Position
CAPACITORS	
C104	AI-4
C107	AJ-4
C109	AK-4
C112	AK-4
C113	AK-4
C114	AK-1
C116	AK-4
C117	AK-1
C118	AL-4
C127	AI-3
C129	AH-4
C130	AI-4
C131	AH-3
C132	AI-4
CONNECTORS	
CL2017	AL-1
DIODES	
D101	AK-1
D102	AK-1
D103	AJ-4
D104	AK-4
D105	AK-1
D106	AK-4
D107	AK-1
D108	AJ-4
D109	AK-3
D110	AJ-3
D115	AK-4
D118	AK-3
D119	AK-3
D121	AL-3
COILS	
L101	AL-3
TRANSISTORS	
Q104	AJ-3
Q105	AL-3
Q107	AH-4
Q108	AH-4
Q752	AC-3
RESISTORS	
R112	AI-3
R113	AJ-4
R116	AJ-4
R119	AJ-4
R121	AK-1
R122	AK-1
R124	AK-4
R128	AK-3
R129	AL-4
R130	AL-4
R131	AL-4
R134	AK-3
R136	AK-4
R137	AL-3
R138	AL-3
R140	AJ-3
R141	AJ-4
R142	AJ-3
R143	AI-4
R144	AI-4
R145	AH-4
R146	AH-4
R147	AI-4
R148	AI-4
R149	AH-3
R150	AH-3
MISCELLANEOUS	
JK101	AL-4



UNLESS OTHERWISE SPECIFIED:
 DIODES ARE DZ-11BSAT265 OR MTZJT-7711A AND
 NPN TRANSISTORS ARE KTC3199(Y,GR), 2SC2785(J,H,F) OR 2SC1815(Y,GR)(TPE2).

Main 8/11 Schematic Diagram < VCR Section >

• = SMD



Main 8/11 Schematic Diagram Parts Location Guide

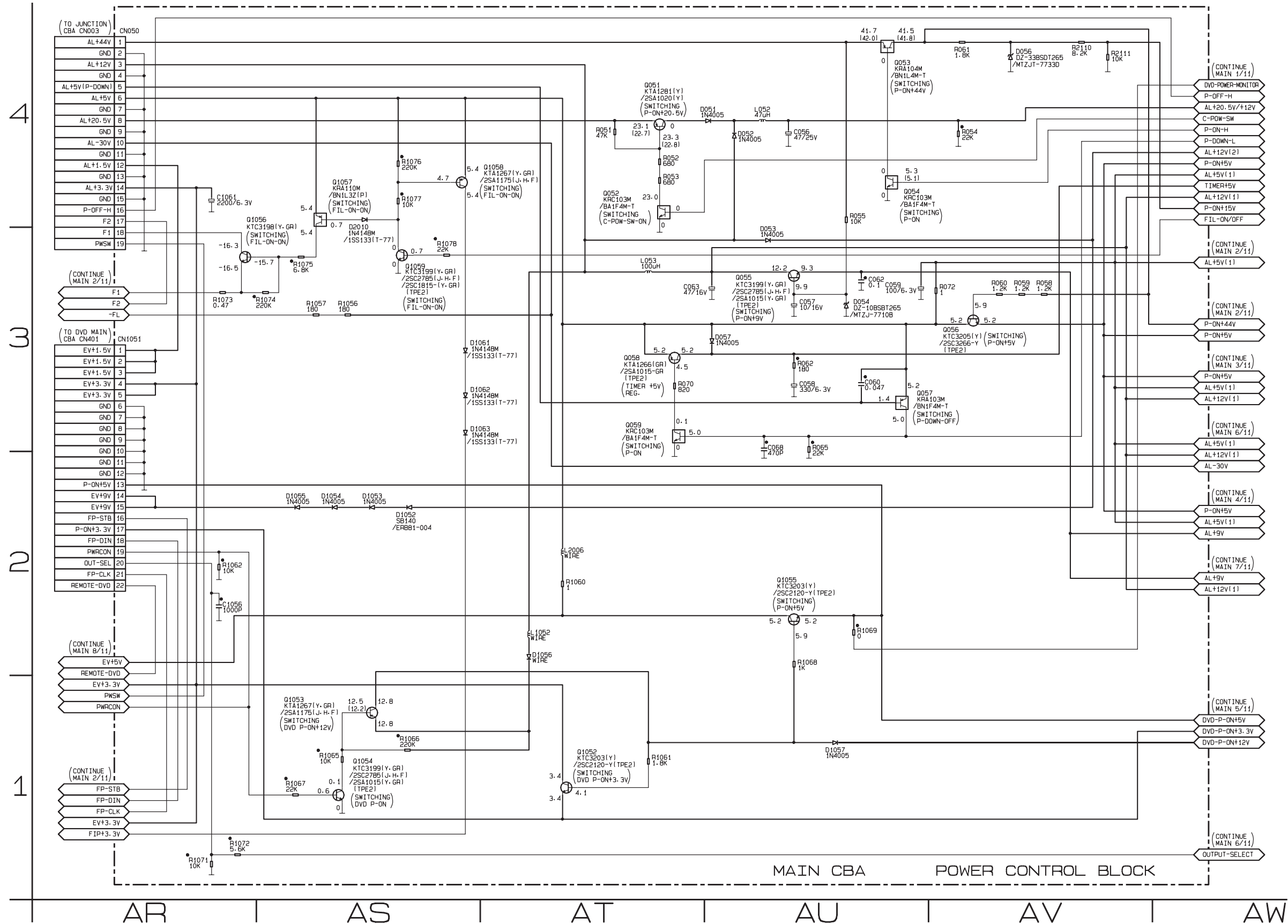
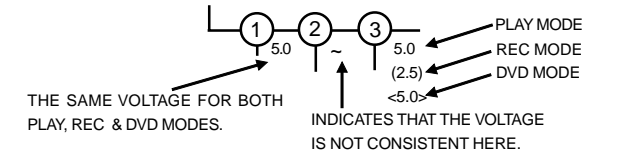
Ref No.	Position
CAPACITORS	
C2004	AP-1
C2008	AO-3
C2009	AO-3
C2012	AQ-1
CONNECTORS	
CL2015	AM-4
DIODES	
D2009	AO-3
TRANSISTORS	
Q1505	AN-2
Q1506	AO-2
Q2007	AO-4
RESISTORS	
R2005	AP-1
R2022	AN-2
R2027	AO-3
R2038	AO-4
R2039	AO-4
R2040	AO-4
R2047	AO-4
R2060	J-4
R2068	K-1
R2094	AP-1
R2103	AN-3
R2104	AN-3
R2105	AN-2
R2106	AO-2
R2107	AO-2
SWITCHES	
SW2021	AN-2
SW2022	AN-2
CRYSTAL OSCILLATORS	
X2001	AP-3
MISCELLANEOUS	
RM2001	AQ-1

Main 9/11 Schematic Diagram Parts Location Guide

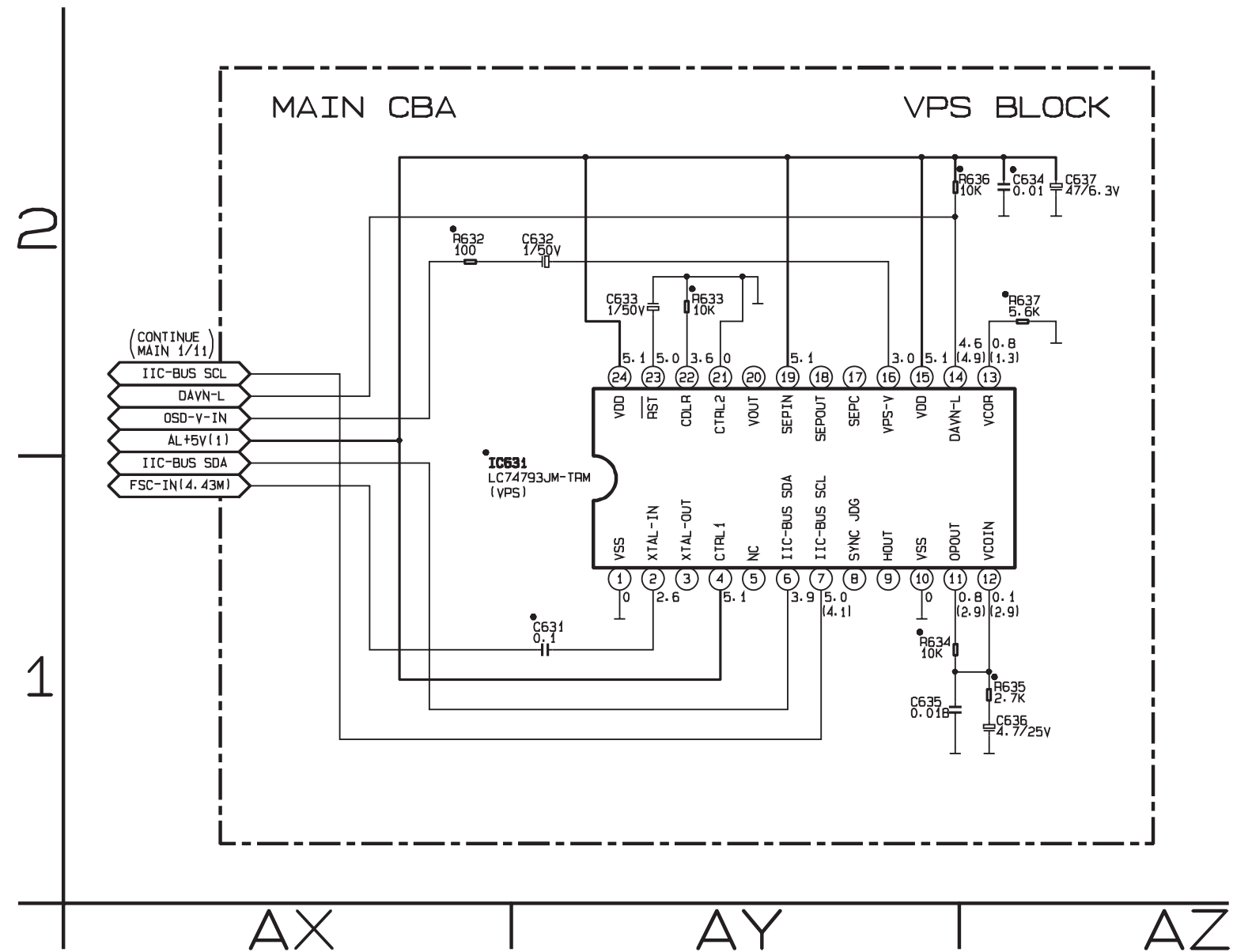
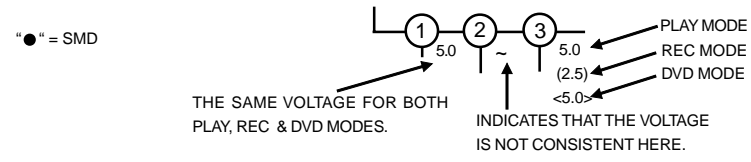
Ref No.	Position	Ref No.	Position
CAPACITORS		TRANSISTORS	
C056	AU-4	Q057	AU-3
C057	AU-3	Q058	AT-3
C058	AU-3	Q059	AT-3
C059	AU-3	Q1052	AT-1
C060	AU-3	Q1053	AS-1
C062	AU-3	Q1054	AS-1
C063	AU-3	Q1055	AU-2
C068	AU-3	Q1056	AR-3
C1056	AR-2	Q1057	AS-3
C1061	AR-4	Q1058	AS-4
CONNECTORS		Q1059	AS-3
CN050	AR-4	RESISTORS	
CN1051	AR-3	R051	AT-4
DIODES		R052	AT-4
D051	AU-4	R053	AT-4
D052	AU-4	R054	AV-4
D053	AU-3	R055	AU-4
D054	AU-3	R058	AV-3
D056	AV-4	R059	AV-3
D057	AU-3	R060	AV-3
D1052	AS-2	R061	AV-4
D1053	AS-2	R062	AU-3
D1054	AS-2	R065	AU-3
D1055	AS-2	R070	AT-3
D1056	AT-2	R072	AV-3
D1057	AU-1	R1056	AS-3
D1061	AS-3	R1057	AS-3
D1062	AS-3	R1060	AT-2
D1063	AS-3	R1061	AT-1
D2010	AS-4	R1062	AR-2
ICS		R1065	AS-1
IC2002	AO-3	R1066	AS-1
COILS		R1067	AS-1
L052	AU-4	R1068	AU-2
L053	AT-3	R1069	AU-2
L1052	AT-2	R1071	AR-1
L2001	AP-1	R1072	AR-1
L2006	AT-2	R1073	AR-3
TRANSISTORS		R1074	AS-3
Q051	AT-4	R1075	AS-3
Q052	AT-4	R1076	AS-4
Q053	AU-4	R1077	AS-4
Q054	AU-4	R1078	AS-3
Q055	AU-3	R2110	AV-4
Q056	AV-3	R2111	AV-4

Main 9/11 Schematic Diagram < VCR Section >

* = SMD



Main 10/11 Schematic Diagram < VCR Section >



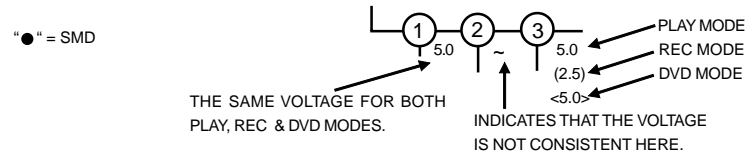
MAIN10/11 Schematic Diagram
Parts Location Guide

Ref No.	Position
CAPACITORS	
C631	AY-1
C632	AY-2
C633	AY-2
C634	AZ-2
C635	AY-1
C636	AZ-1
C637	AZ-2
ICS	
IC631	AY-1
RESISTORS	
R632	AX-2
R633	AY-2
R634	AY-1
R635	AZ-1
R636	AY-2
R637	AZ-2

Main 11/11 Schematic Diagram (C) < VCR Section >

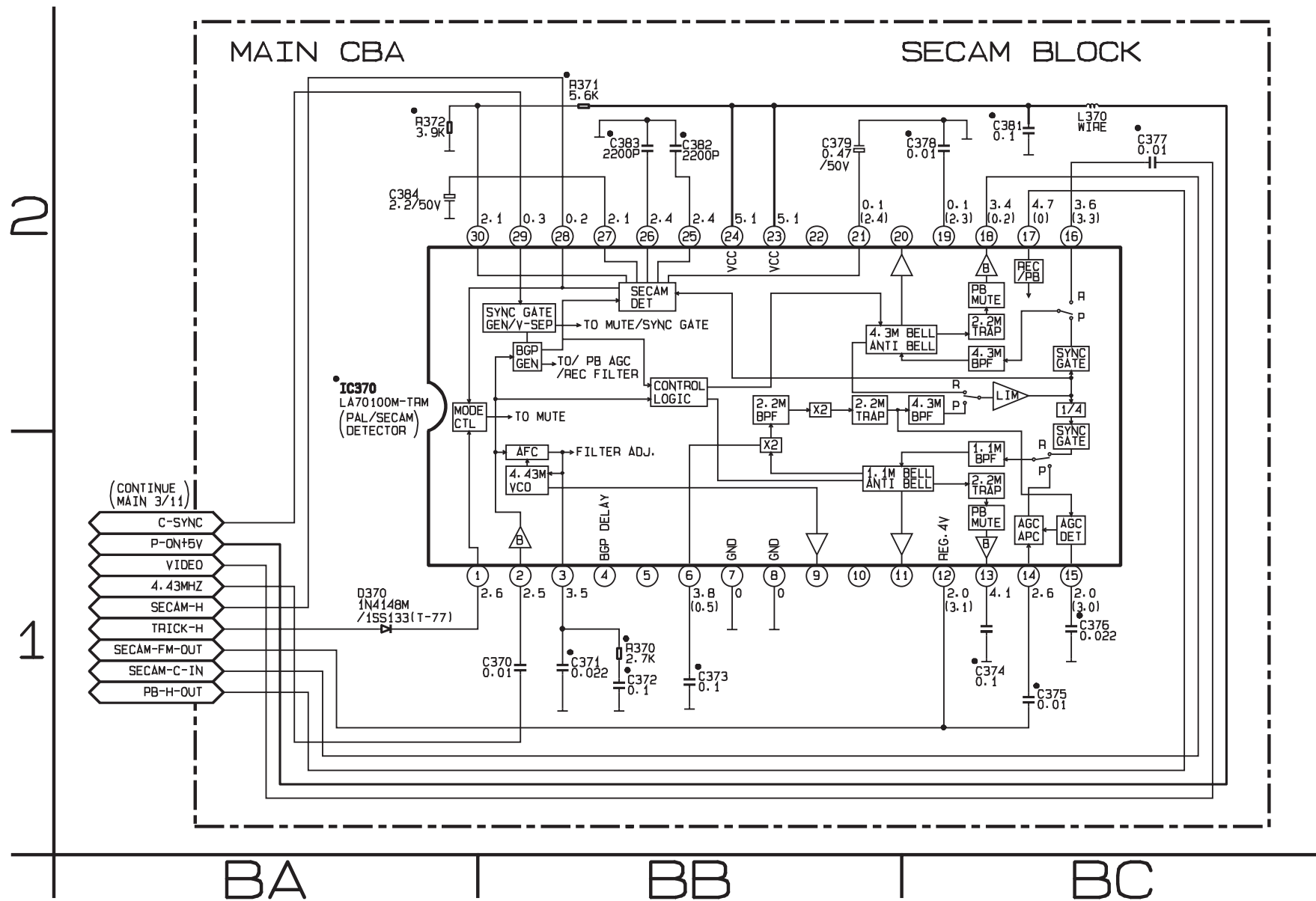
Comparison Chart of Models and Marks

MODEL	MARK
DVD757VR/00	A
DVD757VR/05	B
DVD757VR/02	C



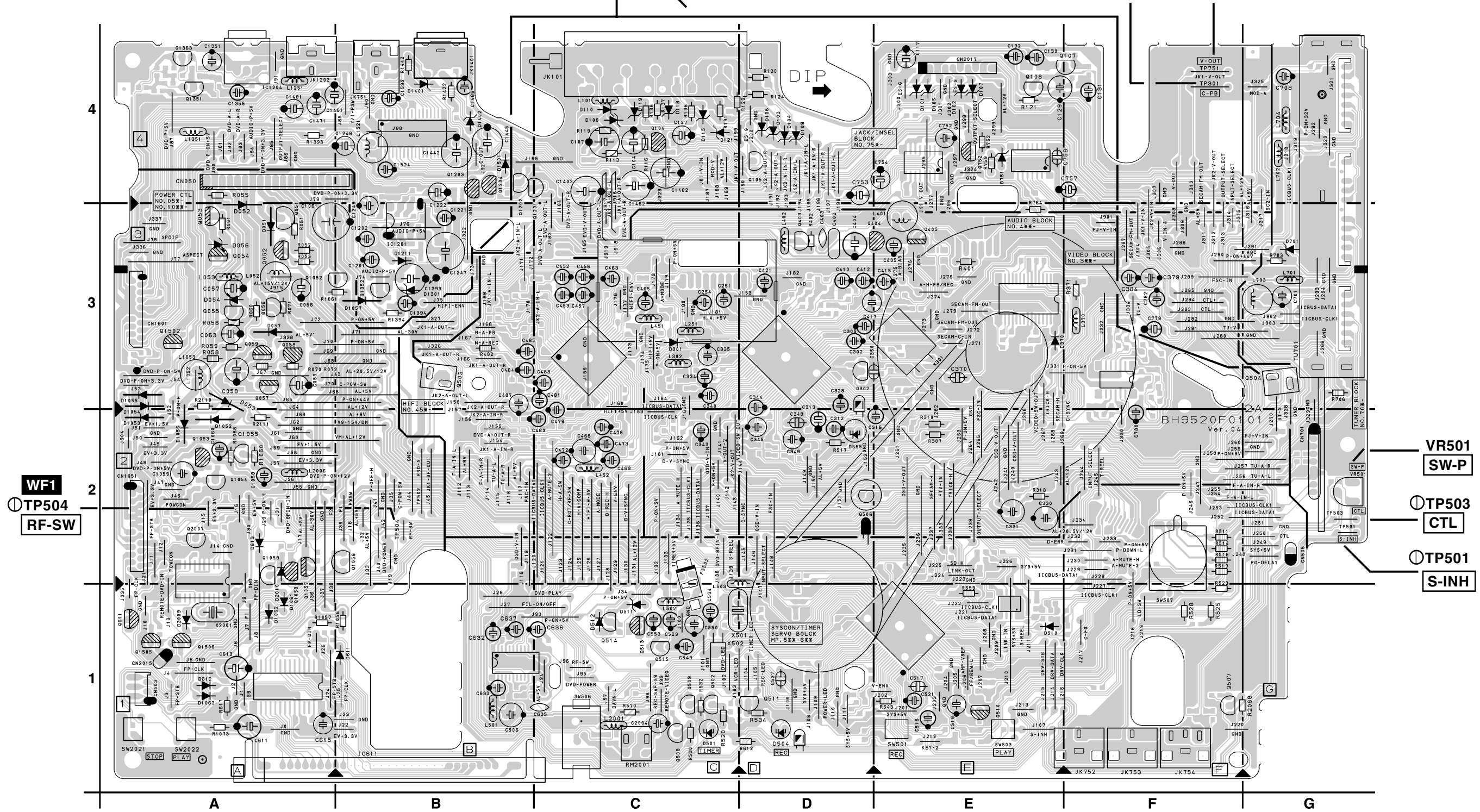
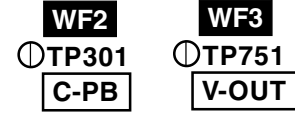
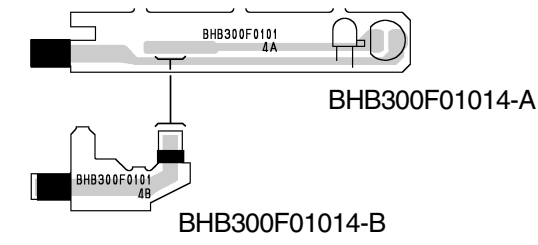
MAIN11/11 Schematic Diagram
Parts Location Guide

Ref No.	Position
CAPACITORS	
C370	BB-1
C371	BB-1
C372	BB-1
C373	BB-1
C374	BC-1
C375	BC-1
C376	BC-1
C377	BC-2
C378	BC-2
C379	BB-2
C381	BC-2
C382	BB-2
C383	BB-2
C384	BA-2
DIODES	
D370	BA-1
ICS	
IC370	BA-2
COILS	
L370	BC-2
RESISTORS	
R370	BB-1
R371	BB-2
R372	BA-2

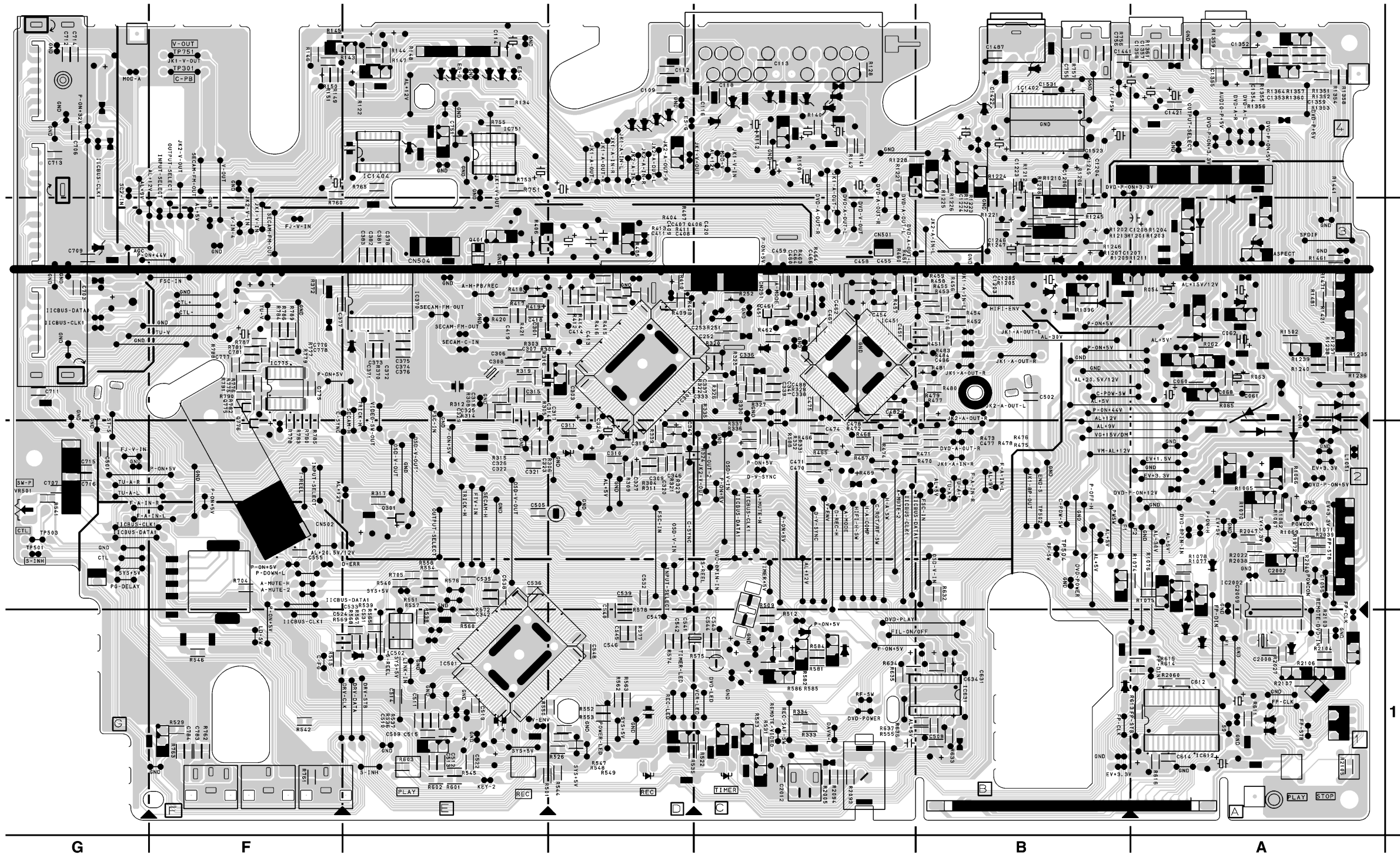


Main CBA Top View

Sensor CBA Top View



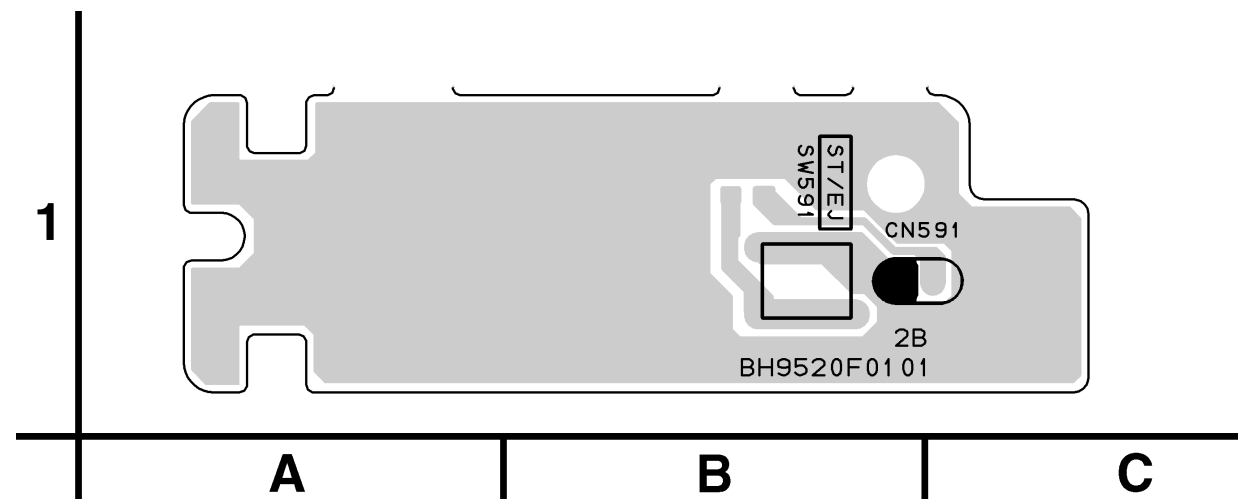
Main CBA Bottom View



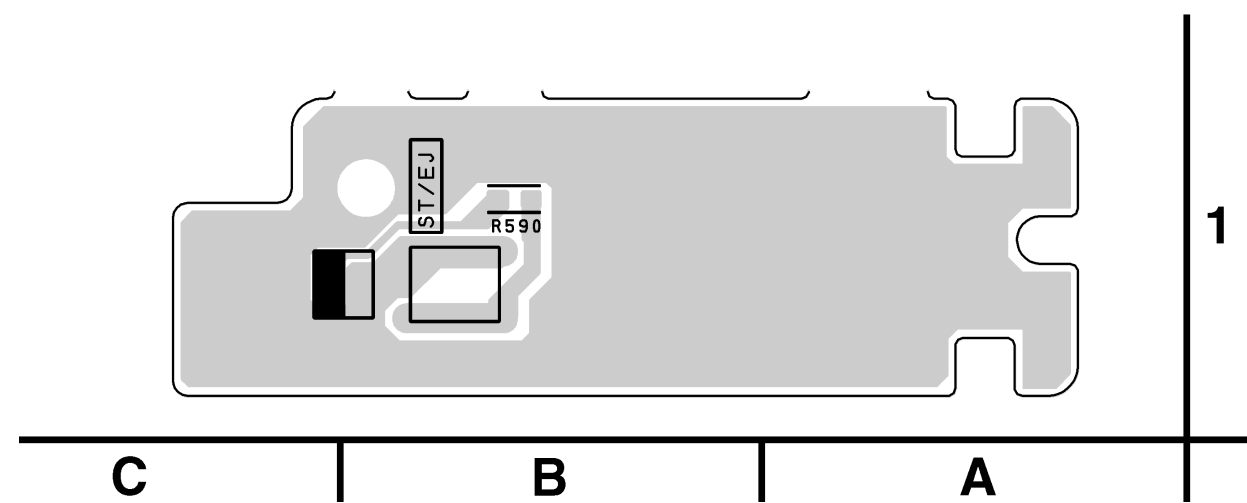
Main CBA Parts Location Guide

Ref No.	Position	Ref No.	Position	Ref No.	Position	Ref No.	Position	Ref No.	Position	Ref No.	Position	Ref No.	Position	Ref No.	Position	Ref No.	Position	Ref No.	Position	Ref No.	Position	Ref No.	Position	Ref No.	Position
CAPACITORS		CAPACITORS		CAPACITORS		CAPACITORS		CONNECTORS		ICS		TRANSISTORS		RESISTORS		RESISTORS		RESISTORS		RESISTORS		RESISTORS			
C056	A-3	C345	D-2	C480	C-2	C716	G-2	CN701	G-2	IC612	A-1	Q752	E-4	R305	E-3	R463	C-3	R568	E-1	R1060	A-2	R2040	A-2		
C057	A-3	C346	D-2	C481	C-3	C751	E-4	CN1051	A-2	IC631	B-1	Q775	F-3	R306	D-2	R464	C-3	R569	F-1	R1061	A-3	R2047	A-2		
C058	A-3	C347	D-2	C482	C-3	C752	E-4	CN1601	A-3	IC751	E-4	Q776	F-2	R307	E-2	R465	C-2	R570	C-1	R1062	A-2	R2060	A-1		
C059	A-3	C348	D-2	C483	C-3	C753	D-4	CL251	C-3	IC775	F-3	Q1052	A-3	R308	E-3	R466	C-2	R572	E-1	R1065	A-2	R2068	G-1		
C060	C-3	C349	D-2	C484	B-3	C754	E-4	CL501	C-3	IC1201	B-3	Q1053	A-2	R309	D-2	R467	C-2	R574	D-1	R1066	A-2	R2094	C-1		
C062	A-3	C350	D-3	C485	B-3	C755	B-4	CL502	F-2	IC1204	A-4	Q1054	A-2	R310	E-2	R468	C-2	R575	C-1	R1067	A-2	R2103	A-1		
C063	A-3	C370	E-2	C486	B-3	C756	B-4	CL504	E-3	IC1402	B-4	Q1055	A-2	R311	D-2	R469	C-2	R576	E-2	R1068	A-2	R2104	A-1		
C068	A-3	C371	E-3	C487	B-3	C757	F-4	CL505	G-2	IC1404	E-4	Q1056	B-2	R312	E-3	R470	B-2	R577	D-1	R1069	A-2	R2105	A-1		
C104	C-4	C372	E-3	C488	C-3	C758	E-4	CL2015	A-1	IC2002	A-2	Q1057	A-1	R314	E-3	R471	B-2	R578	D-1	R1071	A-2	R2106	A-1		
C107	C-4	C373	E-3	C505	E-2	C775	F-3	CL2017	E-4	COILS		Q1058	A-1	R316	E-3	R472	C-2	R581	C-1	R1072	A-2	R2107	A-1		
C109	D-4	C374	E-3	C506	B-1	C776	F-3	DIODES		L052	A-3	Q1059	A-2	R317	E-2	R473	B-2	R582	C-1	R1073	A-1	R2110	A-3		
C112	D-4	C375	E-3	C508	B-1	C777	F-3	D051	A-3	L053	A-3	Q1201	C-3	R318	E-2	R474	C-2	R584	C-1	R1074	A-2	R2111	A-2		
C113	C-4	C376	E-3	C509	E-1	C778	F-3	D052	A-3	L101	C-4	Q1202	B-3	R319	E-3	R475	B-2	R585	C-1	R1075	A-2	SWITCHES			
C114	E-4	C377	F-3	C510	E-1	C779	F-3	D053	A-2	L251	C-3	Q1203	B-4	R320	C-3	R476	B-2	R586	C-1	R1076	A-2	SW501	E-1		
C116	C-4	C378	E-3	C511	E-1	C780	F-2	D054	A-3	L302	C-3	Q1204	B-4	R321	D-2	R477	B-3	R588	C-2	R1077	A-2	SW506	C-1		
C117	C-4	C379	F-3	C513	E-1	C781	F-3	D056	A-3	L370	F-3	Q1351	A-4	R322	C-3	R478	B-2	R601	E-1	R1078	A-2	SW507	F-1		
C118	C-4	C381	E-3	C514	E-1	C782	F-3	D057	A-3	L401	E-4	Q1352	B-3	R323	D-2	R479	B-3	R602	E-1	R1203	A-4	SW603	E-1		
C127	C-4	C382	E-3	C515	E-1	C783	F-1	D101	E-4	L402	D-3	Q1502	A-3	R324	C-2	R480	B-3	R603	E-1	R1204	A-4	SW2021	A-1		
C129	E-4	C383	E-3	C516	E-1	C784	F-1	D102	E-4	L451	C-3	Q1505	A-1	R325	C-3	R481	B-3	R611	A-1	R1205	B-3	SW2022	A-1		
C130	E-4	C384	F-3	C517	E-1	C1056	A-2	D103	D-4	L452	C-2	Q1506	A-1	R326	C-3	R482	B-3	R613	A-1	R1206	B-4	VARIABLE RESISTOR			
C131	F-4	C402	D-3	C518	E-1	C1061	A-3	D104	D-4	L501	B-1	Q2007	A-2	R327	C-3	R483	B-3	R614	A-1	R1207	B-3	VR501	G-2		
C132	E-4	C403	D-3	C519	E-1	C1201	B-3	D105	E-4	L502	C-1	RESISTORS		R328	C-3	R484	B-3	R615	A-1	R1208	B-4	CRYSTAL OSCILLATORS			
C251	C-3	C404	D-3	C521	E-1	C1202	B-3	D106	D-4	L503	C-1	R051	A-3	R330	C-3	R501	D-1	R616	A-1	R1209	B-3	X301	E-3		
C252	C-3	C405	E-3	C522	E-1	C1205	B-3	D107	E-4	L701	G-3	R052	A-3	R331	C-2	R509	C-2	R617	A-1	R1210	B-4	X501	C-1		
C253	C-3	C407	E-3	C524	F-1	C1206	B-4	D108	C-4	L702	G-4	R053	A-3	R332	C-2	R511	F-2	R632	B-2	R1211	A-4	X502	C-1		
C254	C-3	C408	E-3	C527	D-1	C1207	C-4	D109	D-4	L703	G-3	R054	A-3	R333	C-1	R512	C-1	R633	B-1	R1212	B-4	X2001	A-1		
C301	E-3	C409	E-3	C531	E-1	C1208	A-4	D110	C-4	L704	G-4	R055	A-4	R334	C-1	R513	F-1	R634	C-1	R1213	B-4	MISCELLANEOUS			
C302	D-3	C410	D-3	C533	E-2	C1221	B-3	D115	C-4	L1052	A-3	R058	A-3	R335	C-3	R514	F-2	R635	C-1	R1221	B-3	JK101	C-4		
C303	D-3	C411	D-3	C534	C-1	C1222	B-3	D118	C-4	L1251	A-4	R059	A-3	R336	C-2	R516	F-2	R636	C-1	R1222	B-3	JK751	B-4		
C305	D-3	C412	D-3	C535	E-2	C1223	B-4	D119	C-4	L1351	A-4	R060	A-3	R337	C-2	R517	D-2	R637	C-1	R1223	B-3	JK752	F-1		
C306	E-3	C413	D-3	C536	E-2	C1224	B-3	D121	C-4	L1521	B-4	R061	A-3	R339	D-2	R519	F-2	R703	G-3	R1224	B-4	JK753	F-1		
C307	E-3	C414	C-3	C538	E-2	C1245	B-4	D301	C-3	L2001	C-1	R062	A-3	R370	E-3	R520	C-1	R704	F-2	R1225	B-3	JK754	F-1		
C308	E-3	C415	E-3	C539	D-2	C1246	B-3	D370	E-3	L2006	A-2	R065	A-3	R371	F-3	R522	C-1	R705	E-2	R1226	B-3	JK1202	A-4		
C309	D-2	C416	B-3	C540	D-2	C1247	B-3	D501	C-1	TRANSISTORS		R070	A-3	R372	F-3	R523	F-1	R706	G-2	R1227	C-4	JK1401	B-4		
C310	D-2	C417	D-3	C541	D-1	C1249	B-3	D504	D-1	Q051	A-3	R072	A-3	R401	E-3	R525	F-1	R751	E-4	R1228	C-4	PS502	C-2		
C311	D-2	C418	E-3	C542	D-1	C1351	A-4	D510	E-1	Q052	A-3	R112	C-4	R402	D-3	R526	D-1	R752	E-4	R1235	A-3	TU701	G-3		
C312	D-2	C419	E-3	C543	C-1	C1352	A-4	D511	C-1	Q053	A-3	R113	C-4	R404	D-3	R528	F-1	R753	E-4	R1236	A-3	RM2001	C-1		
C313	D-2	C420	C-3	C544	C-1	C1353	A-4	D512	C-1	Q054	A-3	R116	C-4	R405	D-3	R529	F-1	R755	E-4	R1237	A-3	TEST POINTS			
C314	D-3	C421	D-3	C545	D-1	C1354	A-4	D555	D-2	Q055	A-3	R119	C-4	R406	E-3	R530	C-1	R756	B-1	R1238	A-3	TP301	F-4		
C315	E-3	C451	C-3	C546	D-1	C1355	A-4	D611	B-1	Q056	A-3	R121	E-4	R407	D-3	R531	C-1	R757	B-4	R1239	A-3	TP501	G-4		
C316	D-2	C452	C-3	C547	D-1	C1359	A-4	D612	A-1	Q057	A-3	R122	E-4	R408	D-3	R532	C-1	R759	E-4	R1240	A-3	TP502	B-2		
C317	D-3	C453	C-3	C548	D-1	C1393	B-3	D613	A-2	Q058	A-3	R124	D-4	R409	D-3	R533	C-1	R760	F-3	R1245	B-3	TP503	G-2		
C318	E-3	C454	C-3	C549	C-1	C1394	B-3	D701	G-3	Q059	A-3	R128	C-4	R410	D-3	R534	D-1	R761	F-1	R1352	A-4	TP504	B-2		
C319	D-2	C455	C-3	C550	C-1	C1402	C-4	D751	E-4	Q104	C-4	R129	D-4	R411	D-3	R535	D-1	R762	F-1	R1353	A-4	TP751	F-4		
C320	D-2	C456	C-3	C553	C-1	C1421	A-4	D1052	A-2	Q105	D-4	R130	D-4	R412	D-3	R536	E-1	R763	F-1	R1354	A-4				
C321	E-2	C457	C-3	C555	F-2	C1422	B-4	D1053	A-2	Q107	F-4	R131	C-4	R413	D-3	R537	E-1	R764	E-4	R1355	A-4				
C322	E-2	C458	C-3	C611	A-1	C1441	B-4	D1054	A-2	Q108	E-4	R134	E-4	R414	D-3	R538	E-1	R765	E-4	R1356	A-4				
C323	E-2	C461	C-3	C612	A-1	C1442	B-4	D1055	A-3	Q301	E-2	R136	C-4	R415	D-3	R539	E-2	R775	F-3	R1360	A-4				
C324	D-2	C462	C-3	C614	A-1	C1445	B-4	D1056	A-2	Q302	D-3	R137	C-4	R416	D-3	R540	E-2	R776	F-3	R1361	A-4				
C325	E-3	C463	C-3	C615	A-1	C1461	A-4	D1057	B-3	Q401	E-3	R138	C-4	R417	E-3	R541	G-2	R777	F-3	R1364	A-4				
C326	E-2	C464	C-3	C631	B-1	C1462	C-4	D1061	A-1	Q403	D-3	R140	C-4	R418	E-3	R542	F-1	R778	F-2	R1394	B-3				
C328	D-3	C465	C-3	C632	B-1	C1471	A-4	D1062	A-1	Q404	E-4	R141	C-4	R419	E-3	R543	E-1	R779	F-3	R1396	B-3				
C329	E-3	C466	C-3	C633	B-1	C1481	A-4	D1063	A-1	Q405	E-3	R142	C-4	R420	E-3	R544	D-1	R780	F-2	R1421	A-3				
C330	E-2	C467	C-3	C634	B-1	C1482	C-4	D1301	B-3	Q406	C-3	R143	E-4	R421	E-3	R545	E-1	R781	F-3	R1422	B-4				
C331	E-2	C468	C-2	C635	C-1	C1486	B-4	D1401	B-4	Q451	C-3	R144	E-4	R451	B-3	R546	F-1	R782	F-3	R1441	A-4				
C333	C-3	C469	C-2	C636	C-1	C1487	B-4	D1402	B-4	Q502	C-1	R145	F-4	R452	B-3	R547	D-1	R783	F-2	R1442	B-4				
C334	C-3	C470	C-2	C637	B-1	C1523	B-4	D1501	B-4	Q506	D-2	R146	F-4	R453	B-3	R548	D-1	R784	F-3	R1461	A-4				
C335	C-3	C471	C-2	C701	G-3	C1531	B-4	D2009	A-1	Q507	E-1	R147	E-4	R454	B-3	R549	D-1	R785	F-2	R1471	A-3				
C336	C-3	C472	C-2	C703	G-3	C1532	B-4	D2010	A-1	Q508	C-1	R148	E-4	R455	B-3	R550	E-1	R786	F-3	R1481	A-3				
C337	C-3	C473	C-2	C706	G-4	C2004	C-1	ICS		Q509	C-1	R149	F-4	R456	B-3	R551	E-2	R787	F-3	R1501	C-4				
C339	C-3	C474	C-2	C708	G-3	C2008	A-1	IC301	D-3	Q510	E-1	R150	F-4	R457	C-3	R552	D-1	R788	F-3	R1502	A-3				
C340	C-3	C475	C-3	C709	G-3	C2009	A-2	IC370	E-3	Q511	D-1	R251	C-3	R458	B-3	R555	C-1	R789	F-3	R2005	C-1				
C341	C-3	C476	C-2	C711	G-3	C2012	C-1	IC451	C-3	Q513	C-1	R252	C-3	R459	B-3	R558	E-2	R790	F-3	R2022	A-2				
C342	E-1	C477	B-2	C712	G-4	CONNECTORS		IC501	E-1	Q514	C-1	R301	E-3	R460	C-3	R560	E-1	R791	F-3	R2027	A-1				

Function CBA Top View

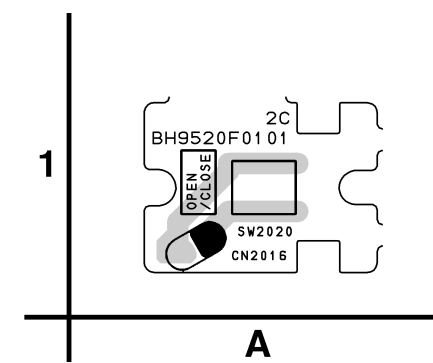


Function CBA Bottom View

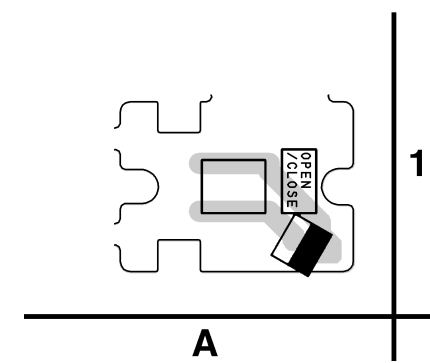


BH9520F01012B

DVD OPEN/CLOSE CBA Top View



DVD OPEN /CLOSE CBA Bottom View



BH9520F01012C

Power Supply Schematic Diagram < VCR Section >

CAUTION !

For continued protection against fire hazard, replace only with the same type fuse.

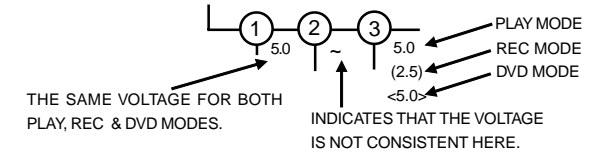
NOTE :

The voltage for parts in hot circuit is measured using hot GND as a common terminal.

CAUTION !

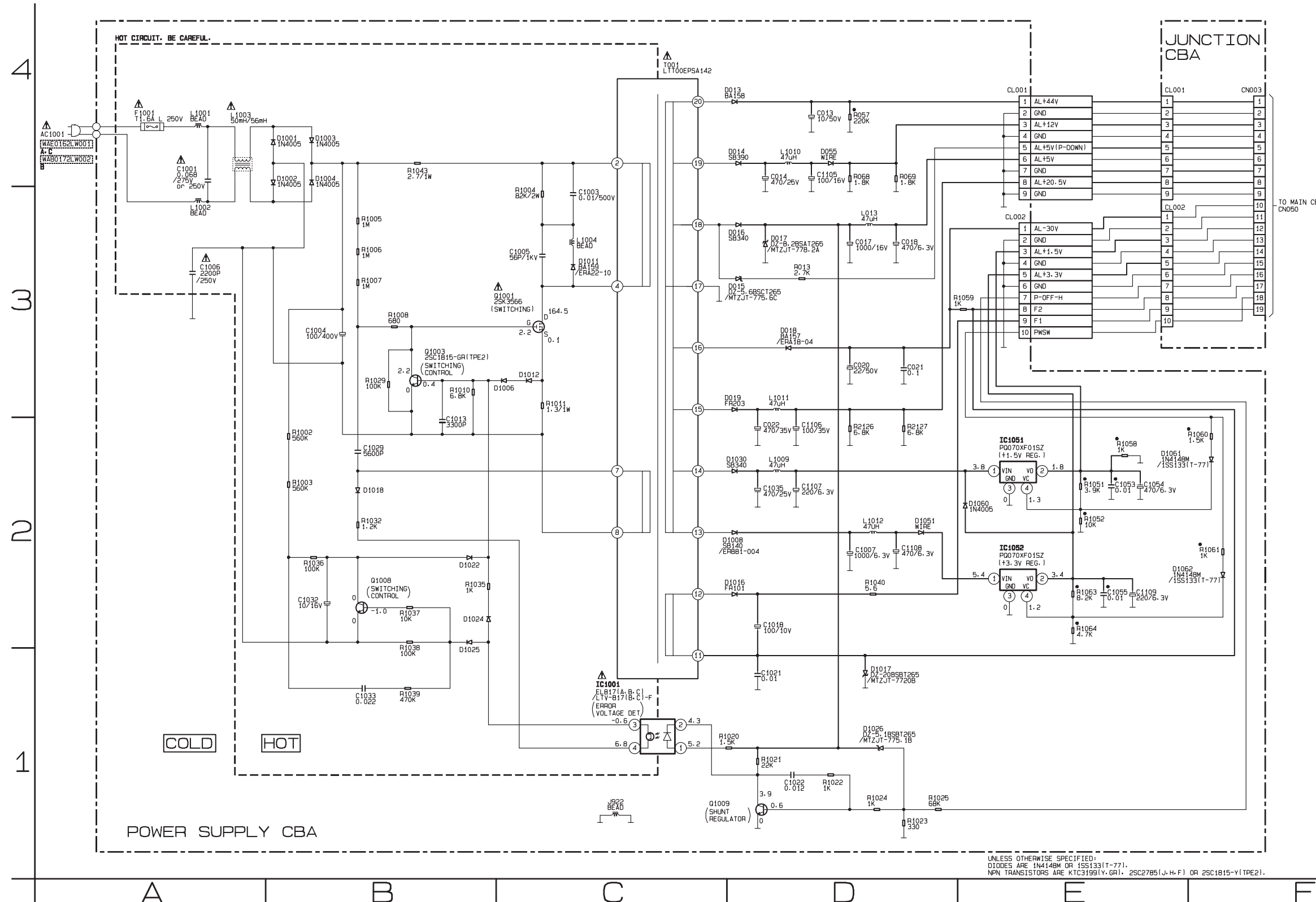
Fixed voltage (or Auto voltage selectable) power supply circuit is used in this unit. If Main Fuse (F1001) is blown, check to see that all components in the power supply circuit are not defective before you connect the AC plug to the AC power supply. Otherwise it may cause some components in the power supply circuit to fail.

● = SMD



Comparison Chart of Models and Marks

MODEL	MARK
DVD757VR/00	A
DVD757VR/05	B
DVD757VR/02	C



UNLESS OTHERWISE SPECIFIED:
 DIODES ARE 1N4148M OR 1SS133(1-77).
 NPN TRANSISTORS ARE KTC319(Y.G.R.), 2SC2785(J.H.F) OR 2SC1815-Y(TPE2).

Power Supply Schematic Diagram Parts Location Guide

Ref No.	Position	Ref No.	Position	Ref No.	Position
CAPACITORS		DIODES		RESISTORS	
C013	D-4	D1002	B-4	R068	D-4
C014	D-4	D1003	B-4	R069	D-4
C017	D-3	D1004	B-4	R1002	B-2
C018	D-3	D1006	C-3	R1003	B-2
C020	D-3	D1008	D-2	R1004	C-3
C021	D-3	D1011	C-3	R1005	B-3
C022	D-2	D1012	C-3	R1006	B-3
C1001	A-4	D1016	D-2	R1007	B-3
C1003	C-3	D1017	D-1	R1008	B-3
C1004	B-3	D1018	B-2	R1010	B-3
C1005	C-3	D1022	B-2	R1011	C-3
C1006	A-3	D1024	B-2	R1020	D-1
C1007	D-2	D1025	B-2	R1021	D-1
C1013	B-2	D1026	D-1	R1022	D-1
C1018	D-2	D1030	D-2	R1023	D-1
C1021	D-1	D1051	D-2	R1024	D-1
C1022	D-1	D1060	E-2	R1025	D-1
C1029	B-2	D1061	F-2	R1029	B-3
C1032	B-2	D1062	F-2	R1032	B-2
C1033	B-1	ICS		R1035	B-2
C1035	D-2	IC1001	C-1	R1036	B-2
C1053	E-2	IC1051	E-2	R1037	B-2
C1054	E-2	IC1052	E-2	R1038	B-2
C1055	E-2	COILS		R1039	B-1
C1105	D-4	J922	C-1	R1040	D-2
C1106	D-2	L013	D-3	R1043	B-4
C1107	D-2	L1001	A-4	R1051	E-2
C1108	D-2	L1002	A-3	R1052	E-2
C1109	E-2	L1003	A-4	R1058	E-2
CONNECTORS		L1004	C-3	R1059	E-3
CL001	E-4	L1009	D-2	R1060	F-2
CL002	E-3	L1010	D-4	R1061	F-2
DIODES		L1011	D-3	R1063	E-2
D013	D-4	L1012	D-2	R1064	E-2
D014	D-4	TRANSISTORS		R2126	D-2
D015	D-3	Q1001	C-3	R2127	D-2
D016	D-3	Q1003	B-3	MISCELLANEOUS	
D017	D-3	Q1008	B-2	AC1001	A-4
D018	D-3	Q1009	D-1	F1001	A-4
D019	D-3	RESISTORS		T001	C-4
D055	D-4	R013	D-3		
D1001	B-4	R057	D-4		

Power Supply CBA Parts Location Guide

Ref No.	Position	Ref No.	Position	Ref No.	Position
CAPACITORS		DIODES		RESISTORS	
C013	B-2	D1002	A-2	R068	C-2
C014	C-2	D1003	A-2	R069	C-2
C017	C-1	D1004	A-2	R1002	A-1
C018	C-2	D1006	A-1	R1003	A-1
C020	C-1	D1008	B-1	R1004	A-2
C021	C-1	D1011	A-2	R1005	A-2
C022	B-1	D1012	A-1	R1006	B-2
C1001	A-2	D1016	B-1	R1007	B-1
C1003	A-2	D1017	C-1	R1008	B-1
C1004	A-1	D1018	B-1	R1010	A-1
C1005	A-2	D1022	A-1	R1011	A-1
C1006	A-2	D1024	B-1	R1020	B-1
C1007	B-1	D1025	B-1	R1021	B-1
C1013	A-1	D1026	B-1	R1022	C-1
C1018	C-1	D1030	B-1	R1023	B-1
C1021	C-1	D1051	D-2	R1024	C-1
C1022	C-1	D1060	D-2	R1025	D-1
C1029	B-1	D1061	D-2	R1029	A-1
C1032	A-1	D1062	D-2	R1032	B-1
C1033	A-1	ICS		R1035	A-1
C1035	C-1	IC1001	B-1	R1036	A-1
C1053	D-2	IC1051	D-2	R1037	A-1
C1054	C-2	IC1052	D-2	R1038	A-1
C1055	D-2	COILS		R1039	A-1
C1105	C-2	J922	C-2	R1040	D-1
C1106	C-2	L013	C-2	R1043	A-2
C1107	C-1	L1001	A-2	R1051	D-2
C1108	C-1	L1002	A-2	R1052	D-2
C1109	D-2	L1003	A-2	R1058	C-2
CONNECTORS		L1004	D-2	R1059	C-2
CL001	C-2	L1009	C-1	R1060	D-2
CL002	C-2	L1010	C-2	R1061	D-2
DIODES		L1011	C-1	R1063	D-2
D013	B-2	L1012	B-1	R1064	D-2
D014	B-2	TRANSISTORS		R2126	C-2
D015	B-2	Q1001	A-1	R2127	C-2
D016	B-1	Q1003	A-1	MISCELLANEOUS	
D017	C-2	Q1008	A-1	AC1001	B-2
D018	B-1	Q1009	C-1	F1001	B-2
D019	B-1	RESISTORS		T001	B-2
D055	C-2	R013	C-2		
D1001	A-2	R057	C-2		

Power Supply CBA Top View

CAUTION !

For continued protection against fire hazard, replace only with the same type fuse.

NOTE :

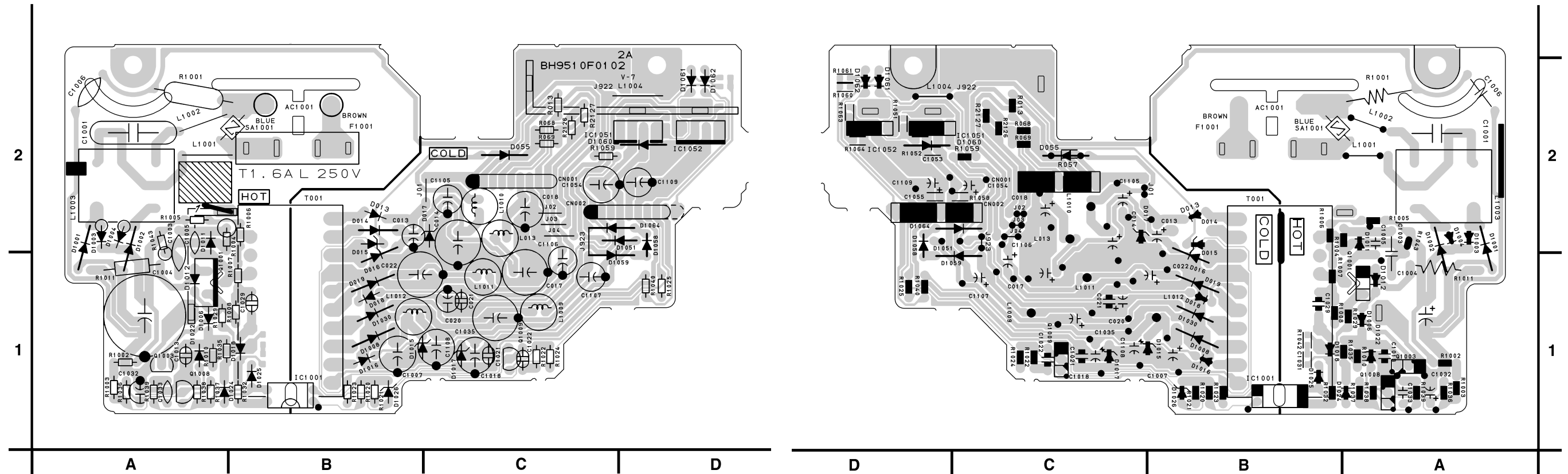
The voltage for parts in hot circuit is measured using hot GND as a common terminal.

CAUTION !

Fixed voltage (or Auto voltage selectable) power supply circuit is used in this unit. If Main Fuse (F1001) is blown, check to see that all components in the power supply circuit are not defective before you connect the AC plug to the AC power supply. Otherwise it may cause some components in the power supply circuit to fail.

Power Supply CBA Bottom View

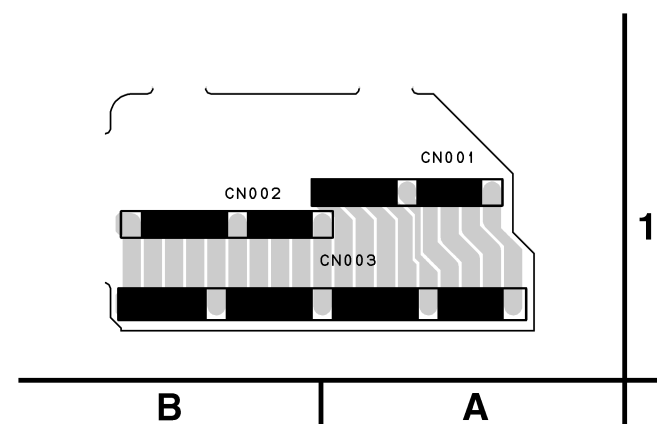
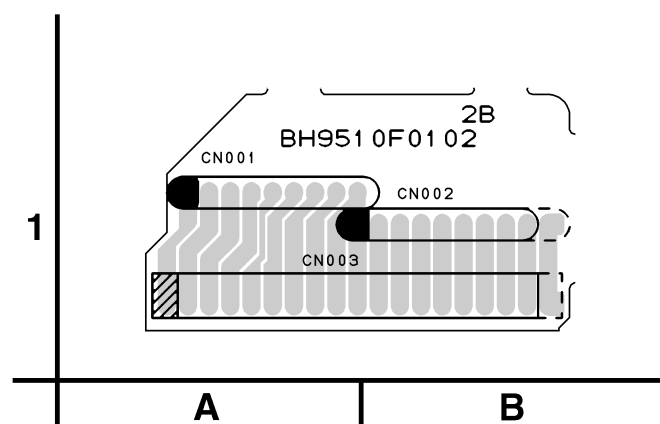
BECAUSE A HOT CHASSIS GROUND IS PRESENT IN THE POWER SUPPLY CIRCUIT , AN ISOLATION TRANSFORMER MUST BE USED. ALSO , IN ORDER TO HAVE THE ABILITY TO INCREASE THE INPUT SLOWLY , WHEN TROUBLESHOOTING THIS TYPE POWER SUPPLY CIRCUIT , A VARIABLE ISOLATION TRANSFORMER IS REQUIRED.



BH9510F01022A

Junction CBA Top View

Junction CBA Bottom View

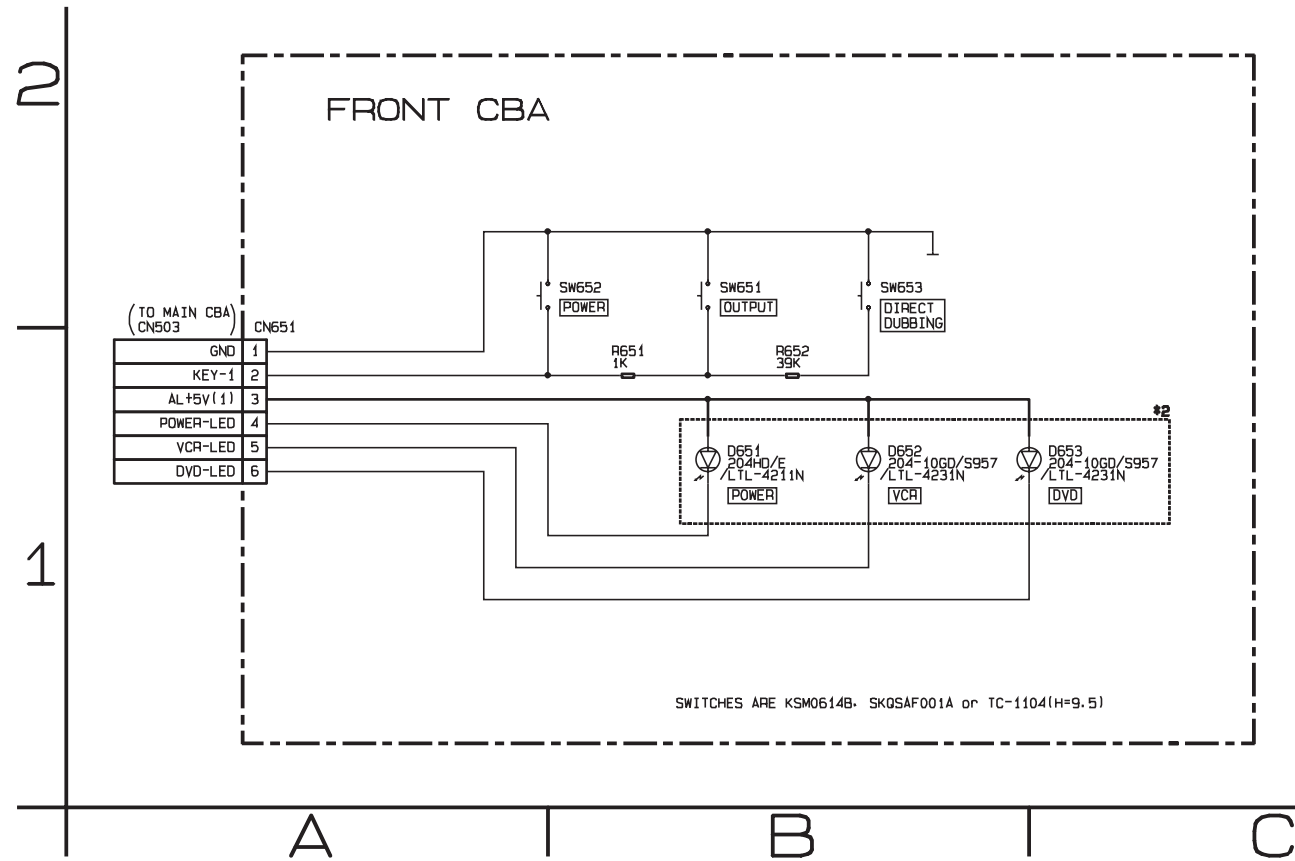


BH9510F01022B

Front Schematic Diagram

***2 Note:**

When it is necessary to replace one or more of the following Diodes, all one should be replaced: D651, D652, D653.

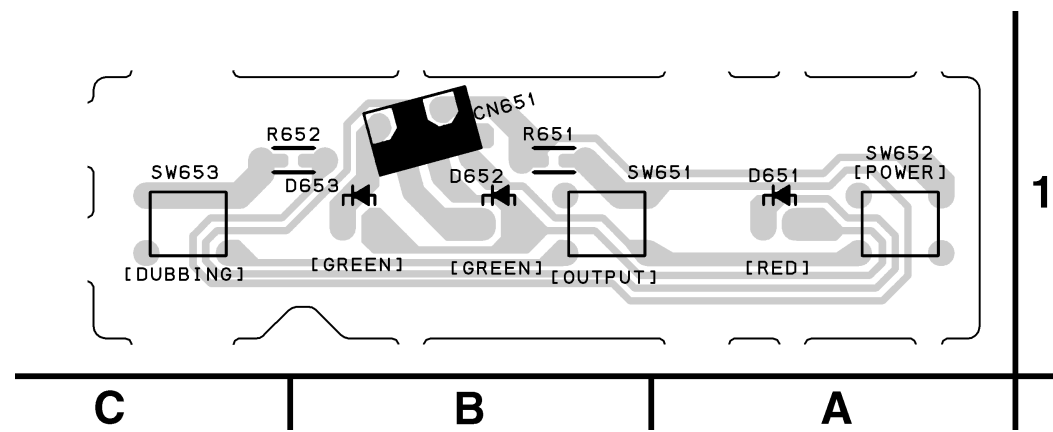
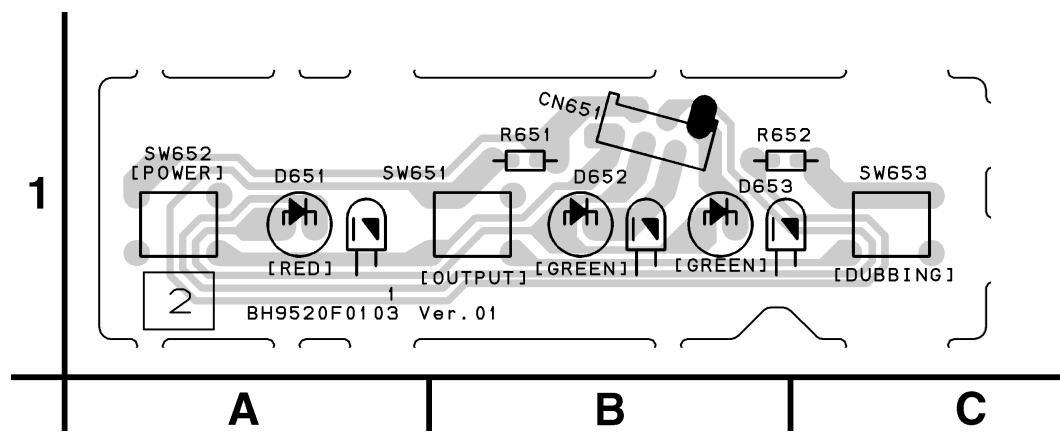


FRONT Schematic Diagram
Parts Location Guide

Ref No.	Position
CONNECTORS	
CN651	A-1
DIODES	
D651	B-1
D652	B-1
D653	C-1
RESISTORS	
R651	B-1
R652	B-1
SWITCHES	
SW651	B-1
SW652	B-1
SW653	B-1

Front CBA Top View

Front CBA Bottom View

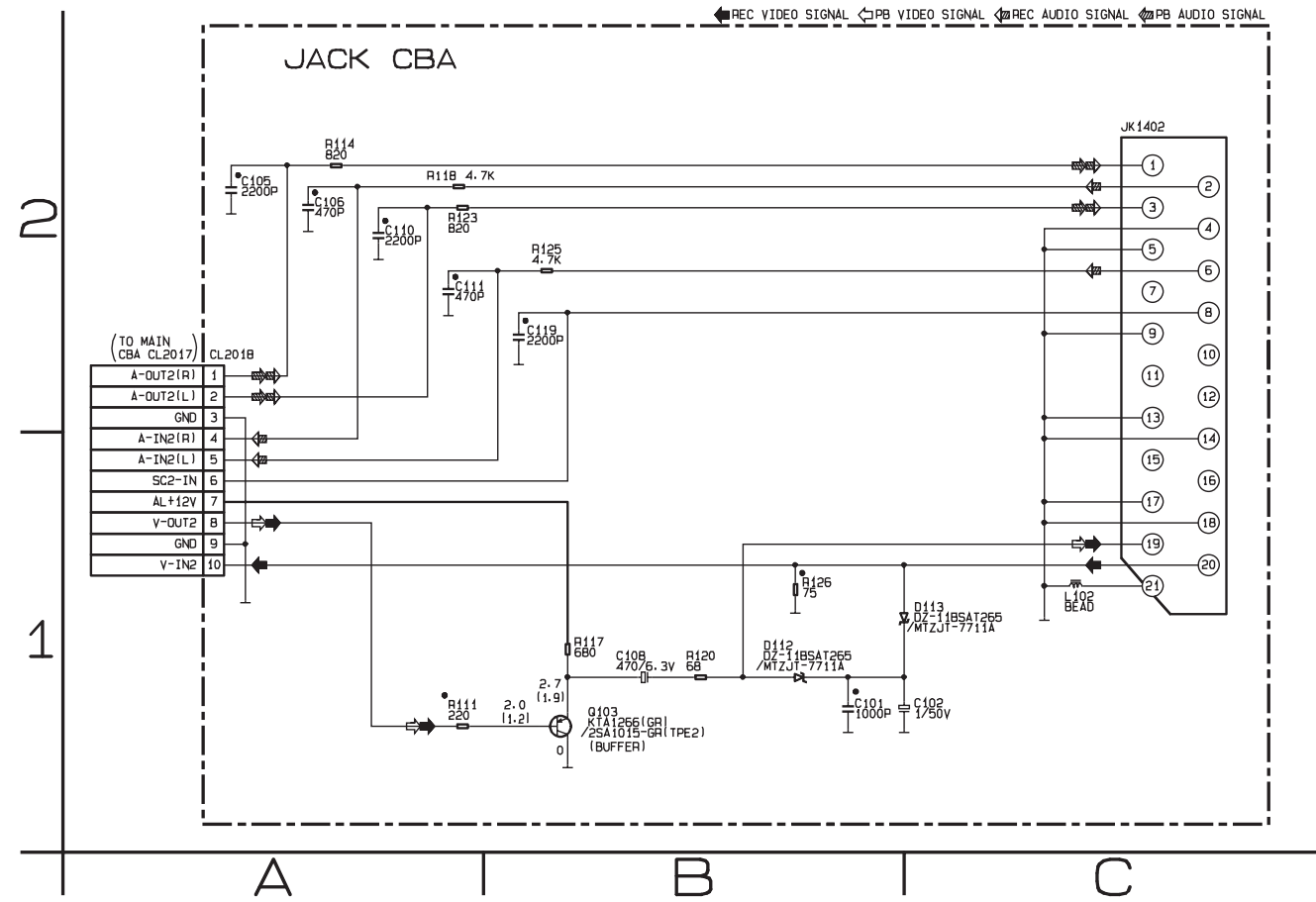


FRONT CBA
Parts Location Guide

Ref No.	Position
CONNECTORS	
CN651	B-1
DIODES	
D651	A-1
D652	B-1
D653	B-1
RESISTORS	
R651	B-1
R652	B-1
SWITCHES	
SW651	A-1
SW652	A-1
SW653	C-1

BH9520F01031

Jack Schematic Diagram



JACK Schematic Diagram
Parts Location Guide

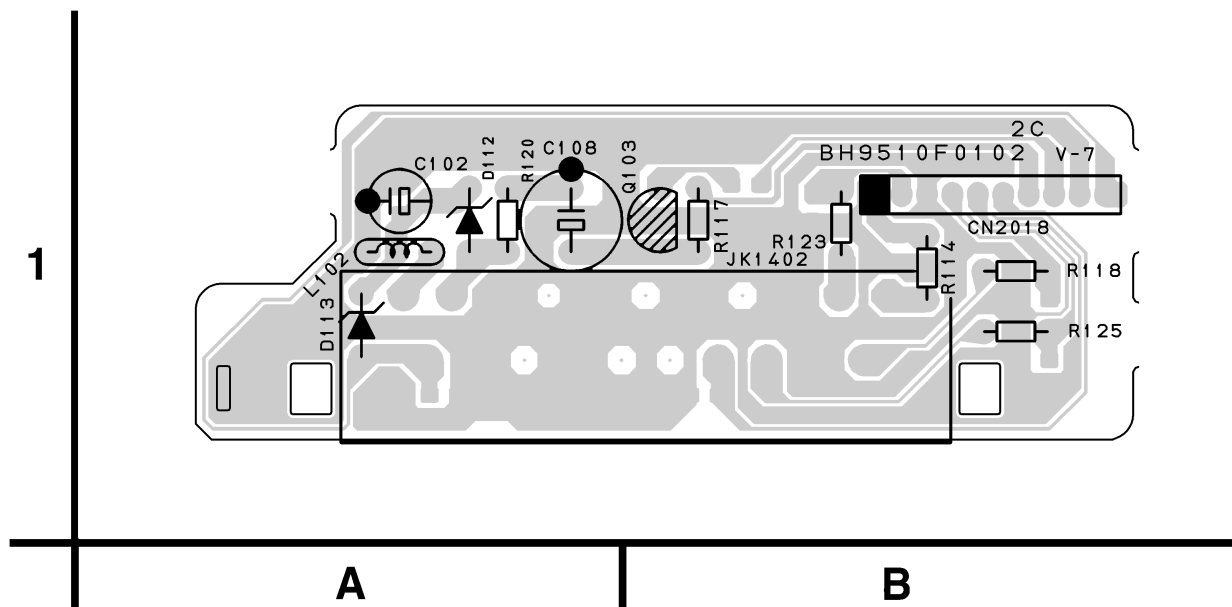
Ref No.	Position
CAPACITORS	
C101	B-1
C102	C-1
C105	A-2
C106	A-2
C108	B-1
C110	A-2
C111	A-2
C119	B-2
CONNECTORS	
CL2018	A-2
DIODES	
D112	B-1
D113	C-1
COILS	
L102	C-1
TRANSISTORS	
Q103	B-1
RESISTORS	
R111	A-1
R114	A-2
R117	B-1
R118	A-2
R120	B-1
R123	A-2
R125	B-2
R126	B-1
MISCELLANEOUS	
JK1402	C-2

JACK CBA
Parts Location Guide

Ref No.	Position
CAPACITORS	
C101	A-1
C102	A-1
C105	B-1
C106	B-1
C108	A-1
C110	B-1
C111	B-1
C119	B-1
CONNECTORS	
CL2018	B-1
DIODES	
D112	A-1
D113	A-1
COILS	
L102	A-1
TRANSISTORS	
Q103	B-1
RESISTORS	
R111	B-1
R114	B-1
R117	B-1
R118	B-1
R120	A-1
R123	B-1
R125	B-1
R126	A-1
MISCELLANEOUS	
JK1402	B-1

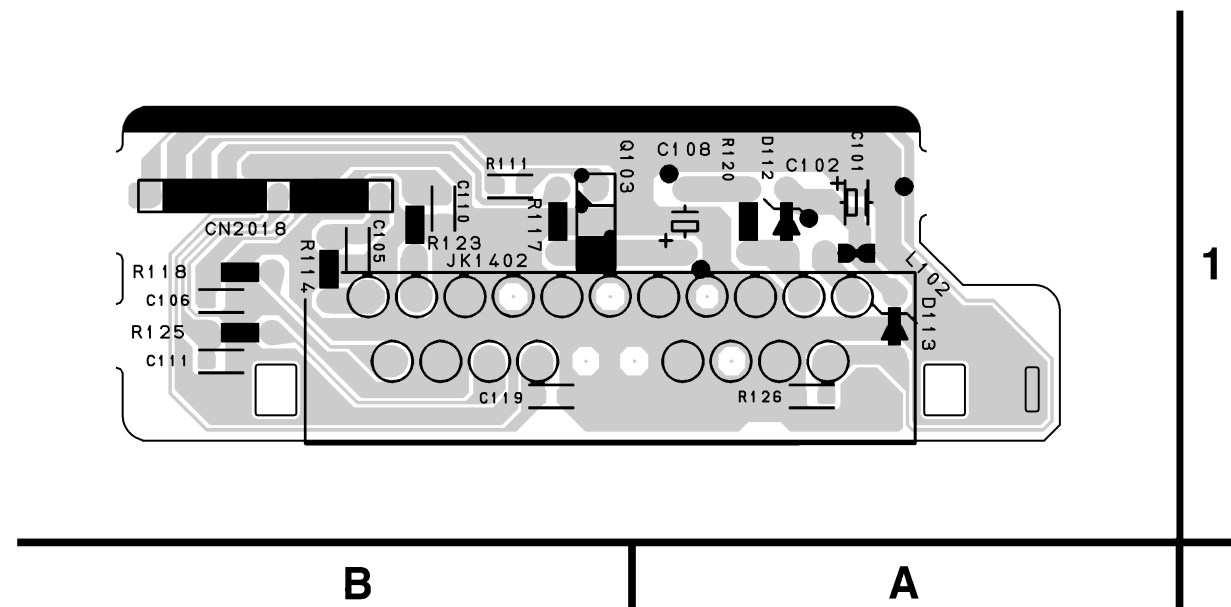
H9520SCJ

Jack CBA Top View



1-11-47

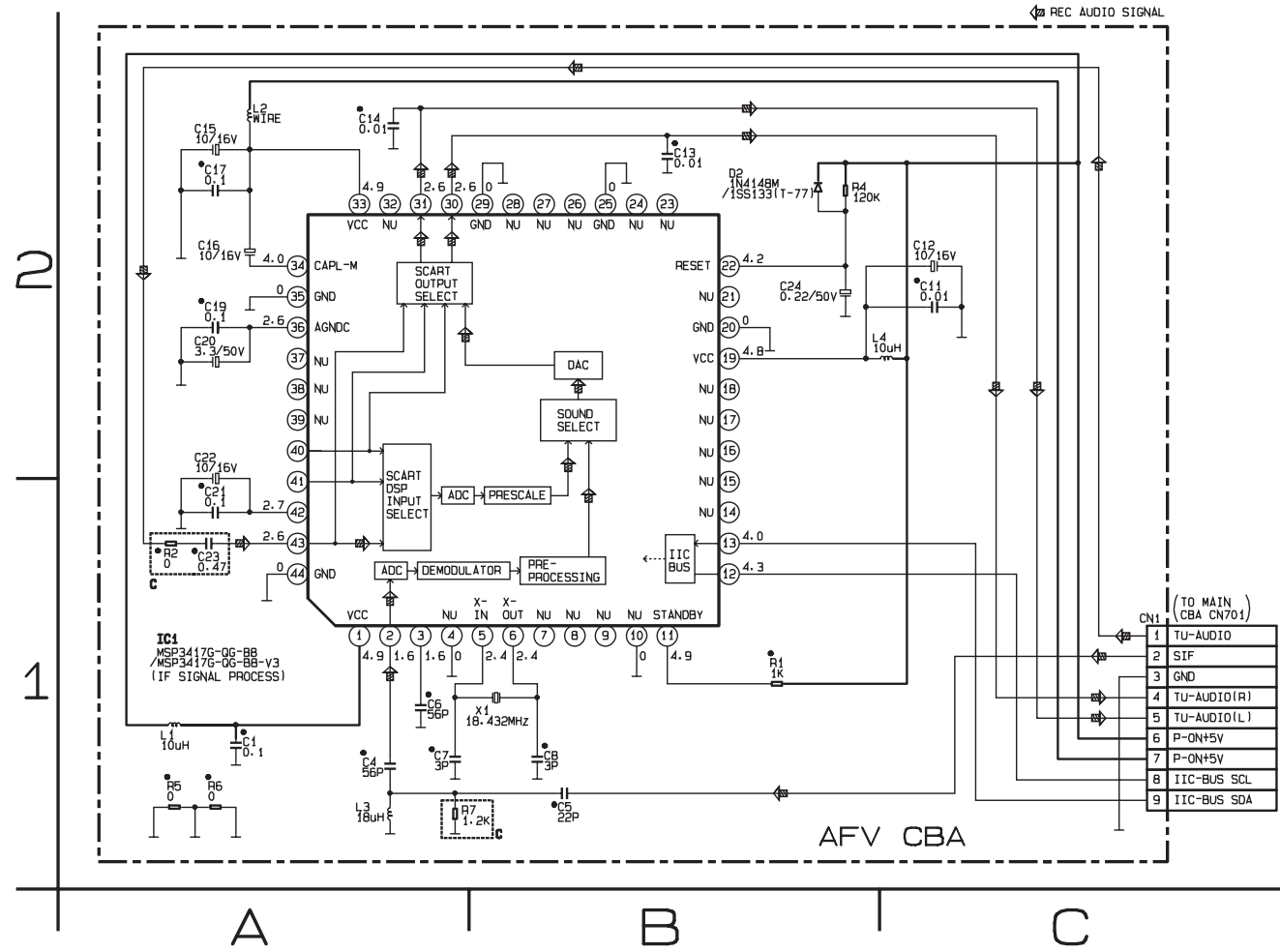
Jack CBA Bottom View



1-11-48

BH9510F01022C

AFV Schematic Diagram



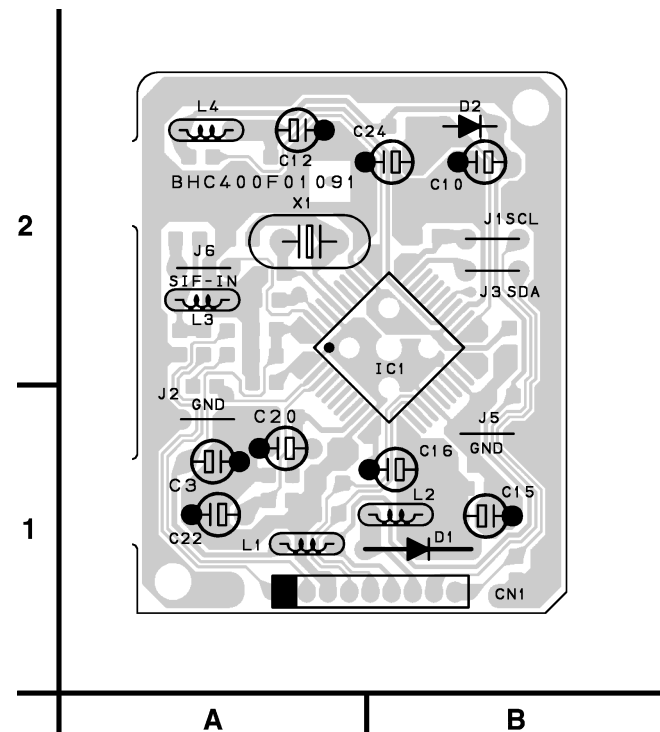
Comparison Chart of Models and Marks

MODEL	MARK
DVD757VR/00	A
DVD757VR/05	B
DVD757VR/02	C

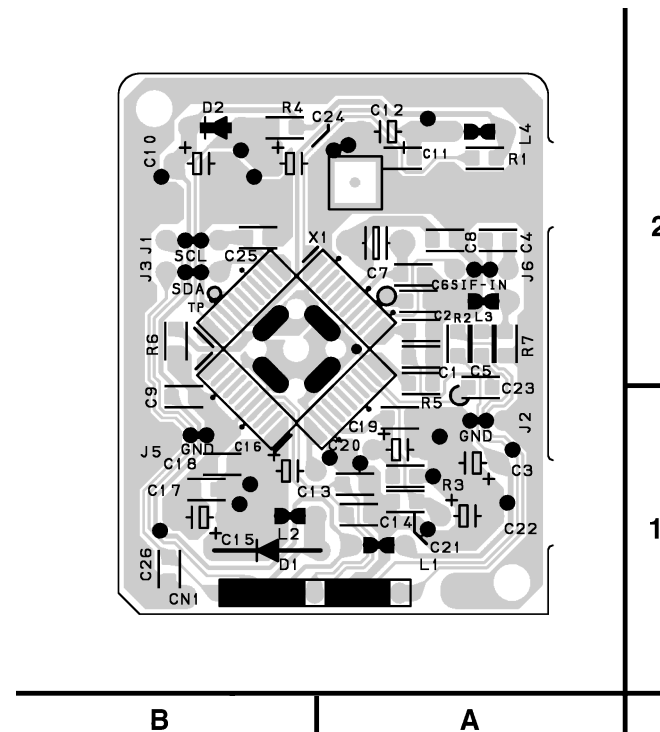
AFV Schematic Diagram Parts Location Guide

Ref No.	Position	Ref No.	Position
CAPACITORS		CONNECTORS	
C1	A-1	CN1	C-1
C4	A-1	DIODES	
C5	B-1	D2	B-2
C6	A-1	ICS	
C7	A-1	IC1	A-1
C8	B-1	COILS	
C11	C-2	L1	A-1
C12	C-2	L2	A-2
C13	B-2	L3	A-1
C14	A-2	L4	C-2
C15	A-2	RESISTORS	
C16	A-2	R1	B-1
C17	A-2	R2	A-1
C19	A-2	R4	B-2
C20	A-2	R5	A-1
C21	A-1	R6	A-1
C22	A-2	R7	A-1
C23	A-1	CRYSTAL OSCILLATORS	
C24	B-2	X1	B-1

AFV CBA Top View



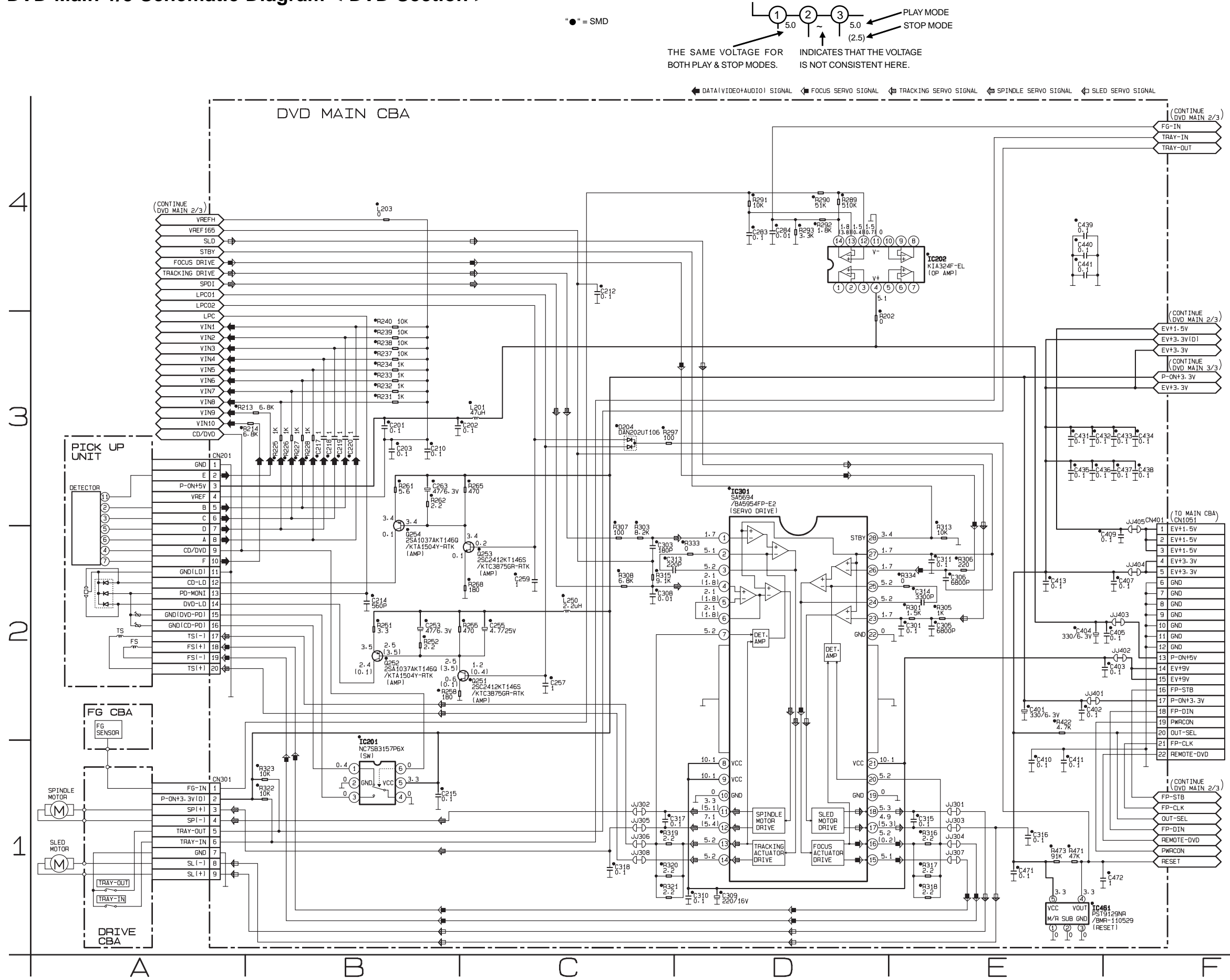
AFV CBA Bottom View



AFV CBA Parts Location Guide

Ref No.	Position	Ref No.	Position
CAPACITORS		CONNECTORS	
C1	A-2	CN1	B-1
C4	A-2	DIODES	
C5	A-2	D2	B-2
C6	A-2	ICS	
C7	A-2	IC1	B-2
C8	A-2	COILS	
C11	A-2	L1	A-1
C12	A-2	L2	B-2
C13	A-1	L3	A-2
C14	A-1	L4	A-2
C15	B-1	RESISTORS	
C16	B-1	R1	A-2
C17	B-1	R2	A-2
C19	B-1	R4	B-2
C20	A-1	R5	A-1
C21	A-1	R6	B-2
C22	A-1	R7	A-2
C23	A-1	CRYSTAL OSCILLATORS	
C24	B-2	X1	A-2

DVD Main 1/3 Schematic Diagram < DVD Section >



• = SMD

1 2 3
5.0 5.0 (2.5)

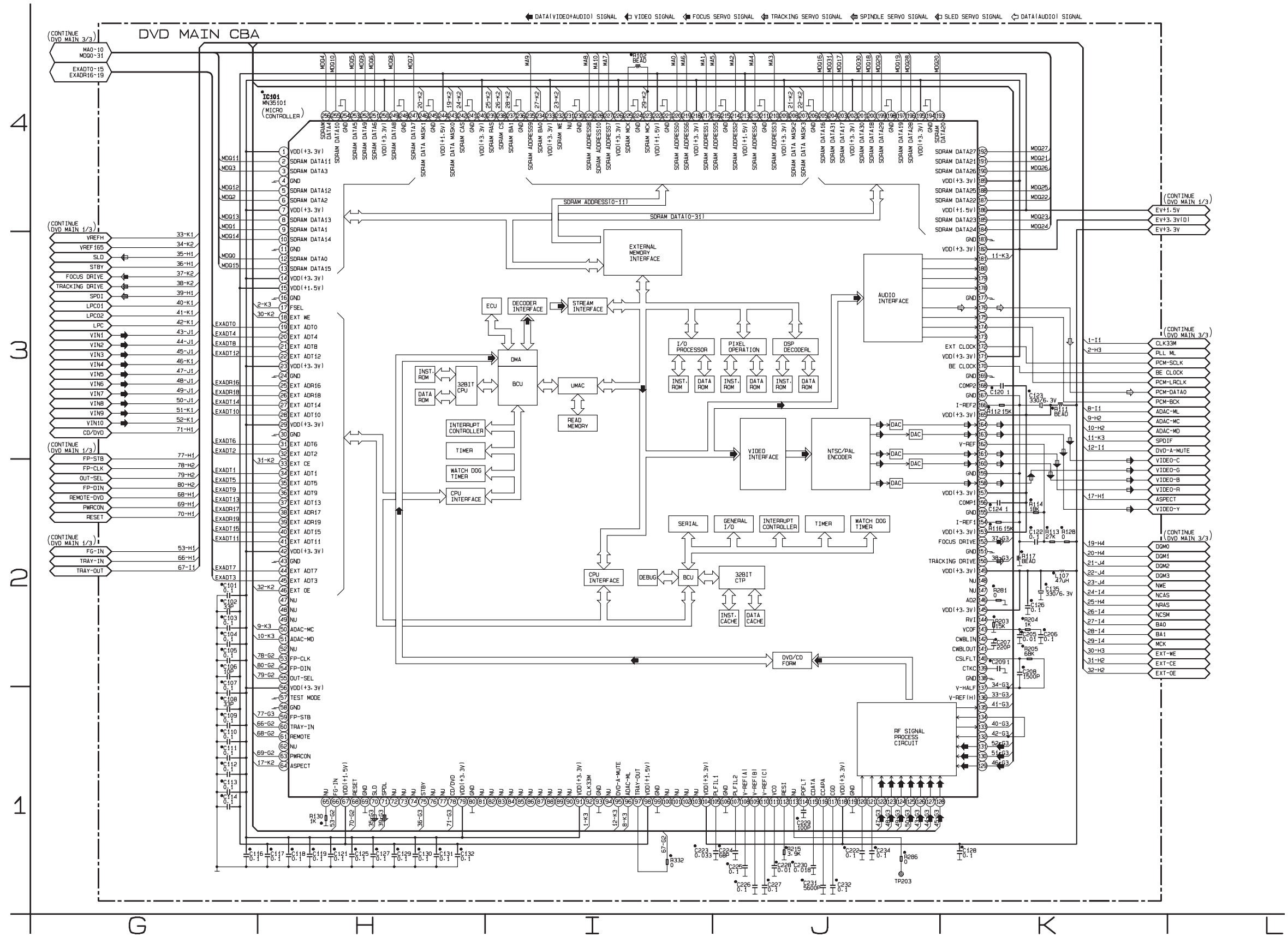
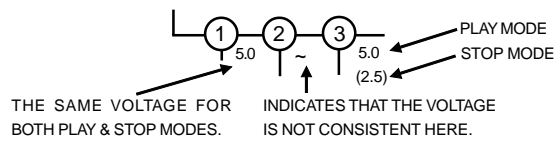
PLAY MODE
STOP MODE

THE SAME VOLTAGE FOR BOTH PLAY & STOP MODES. INDICATES THAT THE VOLTAGE IS NOT CONSISTENT HERE.

DATA (VIDEO+AUDIO) SIGNAL FOCUS SERVO SIGNAL TRACKING SERVO SIGNAL SPINDLE SERVO SIGNAL SLED SERVO SIGNAL

DVD Main 2/3 Schematic Diagram < DVD Section >

● = SMD



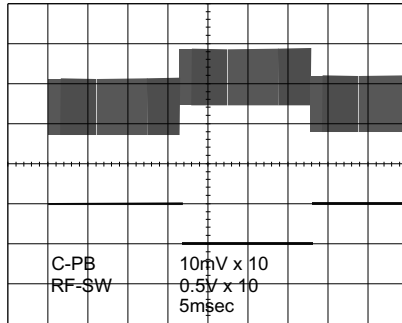
IC101 VOLTAGE CHART

PIN.NO	PLAY	STOP	PIN.NO	PLAY	STOP	PIN.NO	PLAY	STOP	PIN.NO	PLAY	STOP	PIN.NO	PLAY	STOP	PIN.NO	PLAY	STOP	PIN.NO	PLAY	STOP	PIN.NO	PLAY	STOP
1	3.3	3.3	33	2.2	2.9	65	0.1	0.1	97	3.4	3.4	129	2.0	2.0	161	0.5	0.5	193	~	~	225	1.9	1.9
2	~	~	34	~	~	66	1.2	2.5	98	1.6	1.6	130	2.2	2.2	162	1.4	1.4	194	0	0	226	3.3	3.3
3	~	~	35	~	~	67	1.6	1.6	99	0	0	131	2.3	2.3	163	0.5	0.5	195	3.3	3.3	227	~	~
4	0	0	36	~	~	68	3.4	3.4	100	----	----	132	0.4	0.1	164	0.9	0.9	196	~	~	228	~	~
5	~	~	37	~	~	69	0	0	101	----	----	133	1.2	0.4	165	3.3	3.3	197	~	~	229	~	~
6	~	~	38	0.3	0.5	70	1.7	1.7	102	----	----	134	0.4	0.1	166	1.5	1.5	198	0	0	230	0	0
7	3.3	3.3	39	0.1	0.1	71	2.4	1.7	103	----	----	135	0.2	0.2	167	0	0	199	~	~	231	----	----
8	~	~	40	~	~	72	----	----	104	3.3	3.3	136	2.3	2.3	168	2.1	2.1	200	~	~	232	3.3	3.3
9	~	~	41	~	~	73	----	----	105	0.9	0.9	137	1.7	1.7	169	0	0	201	~	~	233	3.3	3.3
10	~	~	42	3.3	3.3	74	----	----	106	0	0	138	0	0	170	0.8	0.8	202	3.3	3.3	234	1.6	1.6
11	0	0	43	0	0	75	3.4	3.4	107	0.8	0.8	139	1.7	1.7	171	3.3	3.3	203	~	~	235	~	~
12	~	~	44	~	~	76	----	----	108	1.6	1.6	140	1.7	1.7	172	1.6	1.6	204	~	~	236	0	0
13	~	~	45	~	~	77	----	----	109	2.1	2.1	141	1.7	1.7	173	----	----	205	~	~	237	1.7	1.7
14	3.3	3.3	46	2.0	2.6	78	0.1	0.1	110	2.6	2.6	142	1.7	1.7	174	1.8	1.8	206	0	0	238	3.0	3.0
15	1.5	1.5	47	----	----	79	3.3	3.3	111	2.0	2.0	143	0.5	0.5	175	1.7	1.7	207	2.4	3.5	239	3.3	3.3
16	0	0	48	----	----	80	0	0	112	0.7	0.9	144	1.6	1.6	176	1.4	0.1	208	2.4	2.1	240	3.3	3.3
17	3.4	3.4	49	----	----	81	----	----	113	0	0	145	3.3	3.3	177	0	0	209	3.3	3.3	241	0	0
18	3.4	3.4	50	3.4	3.4	82	----	----	114	1.8	1.8	146	0	0	178	----	----	210	~	~	242	3.2	3.2
19	~	~	51	3.4	3.4	83	----	----	115	1.4	1.4	147	----	----	179	----	----	211	0	0	243	2.4	2.1
20	~	~	52	----	----	84	----	----	116	0.3	0.3	148	----	----	180	----	----	212	~	~	244	1.5	1.5
21	~	~	53	3.4	3.4	85	----	----	117	1.6	1.6	149	3.3	3.3	181	1.7	1.7	213	1.5	1.5	245	0	0
22	~	~	54	3.4	3.4	86	----	----	118	3.3	3.3	150	1.7	1.7	182	3.3	3.3	214	~	~	246	2.4	2.1
23	3.3	3.3	55	3.3	3.3	87	----	----	119	0	0	151	0	0	183	0	0	215	0	0	247	~	~
24	0	0	56	3.3	3.3	88	----	----	120	1.9	1.9	152	1.7	1.7	184	~	~	216	~	~	248	0	0
25	0.4	0.4	57	0	0	89	----	----	121	1.9	1.9	153	3.3	3.3	185	~	~	217	~	~	249	~	~
26	0.9	0.6	58	0	0	90	----	----	122	2.4	2.4	154	1.4	1.4	186	1.5	1.5	218	3.3	3.3	250	3.3	3.3
27	~	~	59	3.3	3.3	91	3.3	3.3	123	2.4	2.4	155	0	0	187	~	~	219	~	~	251	~	~
28	~	~	60	3.4	3.4	92	1.7	1.5	124	2.4	2.4	156	2.2	2.2	188	~	~	220	~	~	252	~	~
29	3.3	3.3	61	3.1	3.1	93	0	0	125	2.4	2.4	157	3.3	3.3	189	3.3	3.3	221	0	0	253	~	~
30	0	0	62	----	----	94	----	----	126	2.0	2.0	158	0.7	0.7	190	~	~	222	1.5	1.5	254	0	0
31	~	~	63	3.4	3.4	95	3.4	0.1	127	2.0	2.0	159	0	0	191	~	~	223	1.9	1.9	255	~	~
32	~	~	64	0.8	0.8	96	3.4	3.4	128	2.0	2.0	160	0.5	0.5	192	~	~	224	0	0	256	~	~

WAVEFORMS

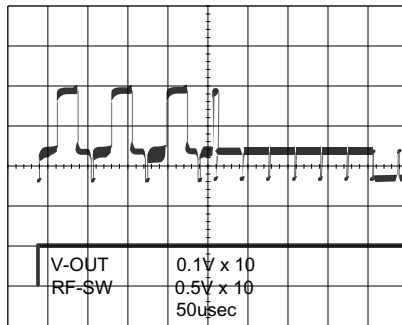
WF2 UPPER (TP301 of Main CBA)

WF1 LOWER (TP504 of Main CBA)

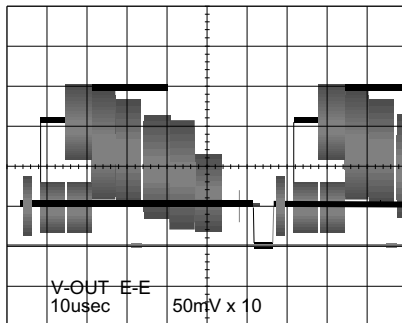


WF3 UPPER (TP751 of Main CBA)

WF1 LOWER (TP504 of Main CBA)



WF3 (TP751 of Main CBA)



WAVEFORMS

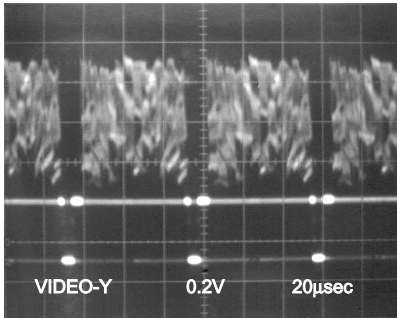
NOTE:

Input

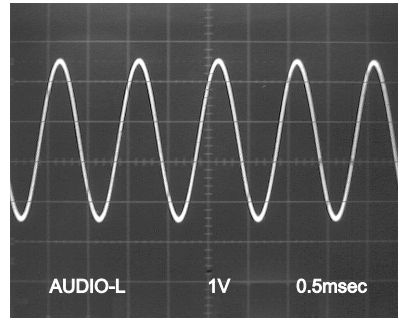
CD: 1kHz PLAY
(WF7~WF9)

DVD: POWER ON (STOP) MODE
(WF4~WF6)

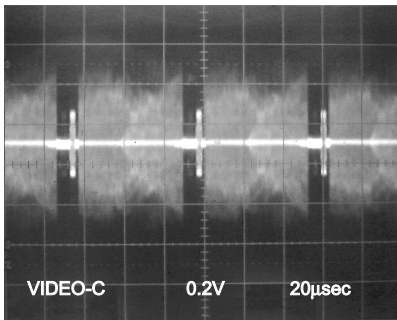
WF4 Pin 1 of CN1601



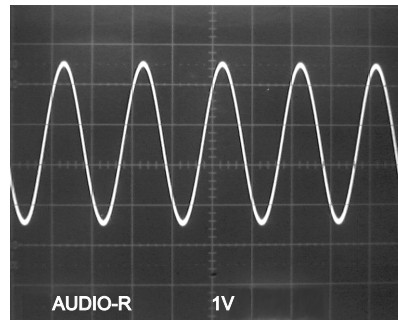
WF7 Pin 13 of CN1601



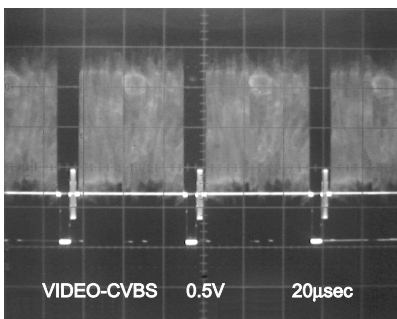
WF5 Pin 9 of CN1601



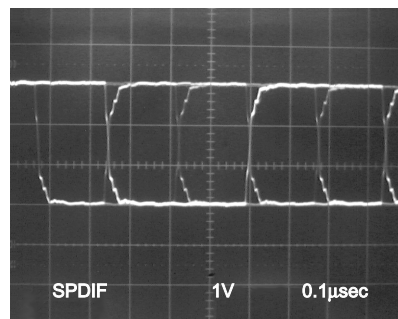
WF8 Pin 15 of CN1601



WF6 Pin 31 of IC1402



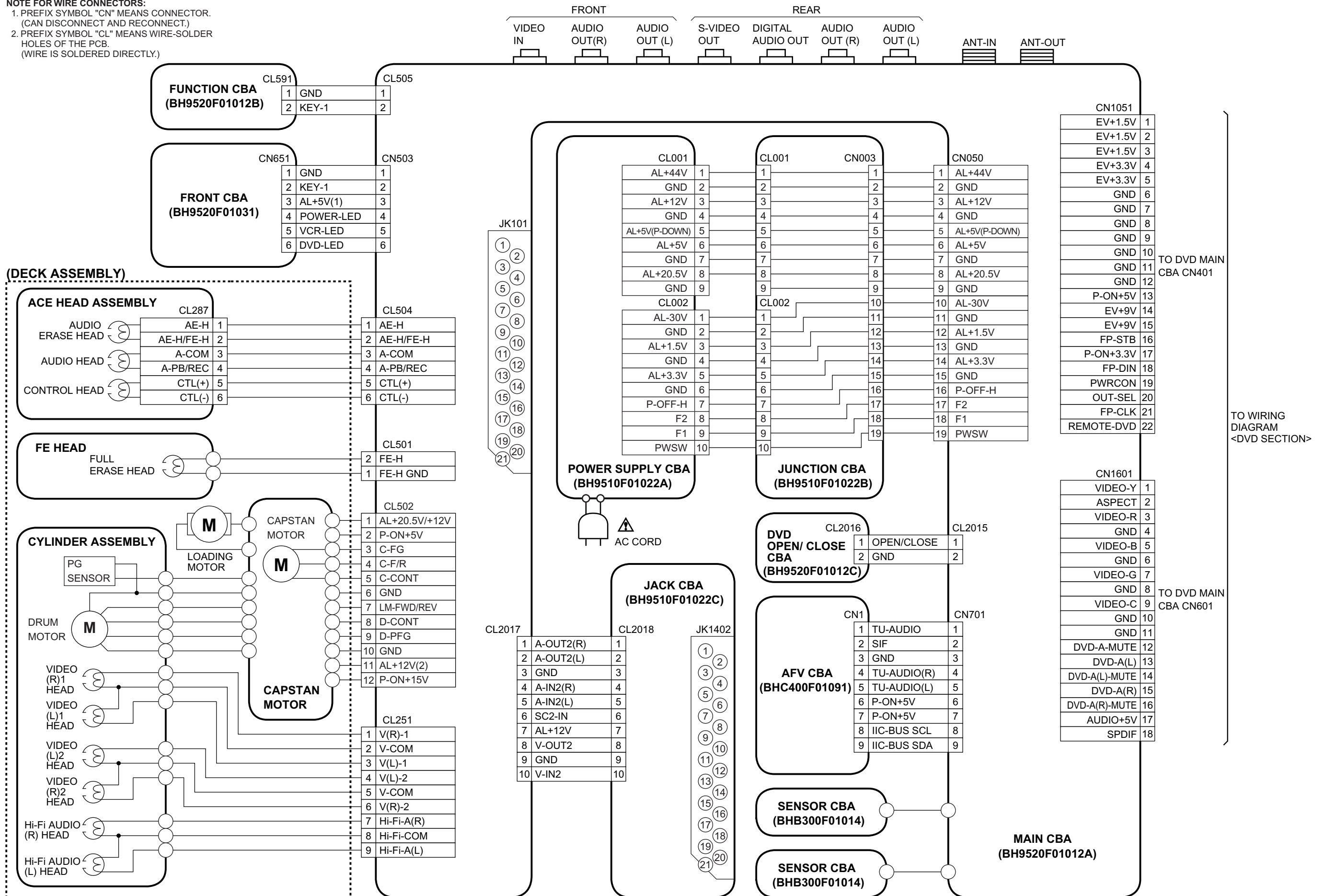
WF9 Pin 18 of CN1601



WIRING DIAGRAM < VCR SECTION >

NOTE FOR WIRE CONNECTORS:

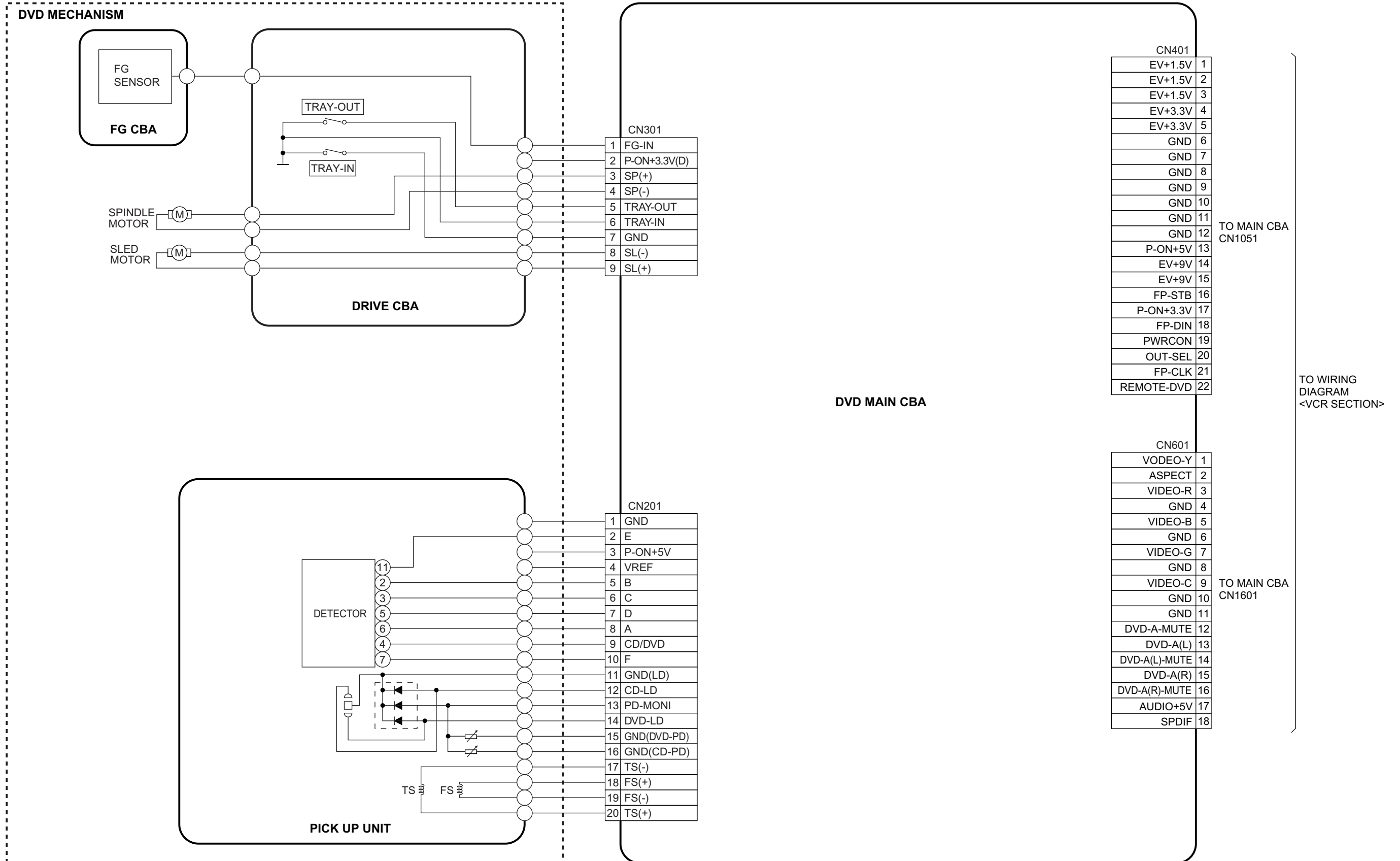
1. PREFIX SYMBOL "CN" MEANS CONNECTOR.
(CAN DISCONNECT AND RECONNECT.)
2. PREFIX SYMBOL "CL" MEANS WIRE-SOLDER HOLES OF THE PCB.
(WIRE IS SOLDERED DIRECTLY.)



WIRING DIAGRAM < DVD SECTION >

NOTE FOR WIRE CONNECTORS:

1. PREFIX SYMBOL "CN" MEANS CONNECTOR.
(CAN DISCONNECT AND RECONNECT.)
2. PREFIX SYMBOL "CL" MEANS WIRE-SOLDER HOLES OF THE PCB.
(WIRE IS SOLDERED DIRECTLY.)



SYSTEM CONTROL TIMING CHARTS

[VCR Section]

Mode SW : LD-SW

LD-SW Position detection A/D Input voltage Limit (Calculated voltage)	Symbol
3.76V~4.50V (4.12V)	EJ
4.51V~5.00V (5.00V)	CL
0.00V~0.25V (0.00V)	SB
1.06V~1.50V (1.21V)	TL
0.66V~1.05V (0.91V)	FB
1.99V~2.60V (2.17V)	SF
1.51V~1.98V (1.80V)	SM
3.20V~3.75V (3.40V)	AU
0.26V~0.65V (0.44V)	AL
4.51V~5.00V (5.00V)	SS
2.61V~3.19V (2.97V)	RS

↑ Note:

Note:

EJ → RS: Loading FWD (LM-FWD/REV "H")

RS → EJ: Loading REV (LM-FWD/REV "L")

Stop (A) = Loading

Stop (B) = Unloading

Note:

Symbol	Loading Status
EJ	Eject
CL	Eject ~ REW Reel
SB	REW Reel ~ Stop(B)
TL	Stop(B) ~ Brake Cancel
FB	Brake Cancel ~ FF / REW
SF	FF / REW ~ Stop(M), (FF / REW)
SM	Stop(M), (FF / REW) ~ Stop(A)
AU	Stop(A) ~ Play / REC
AL	Play / REC ~ Still / Slow
SS	Still / Slow ~ RS (REW Search)
RS	RS (REW Search)

Still/Slow Control Frame Advance Timing Chart

1) SP Mode

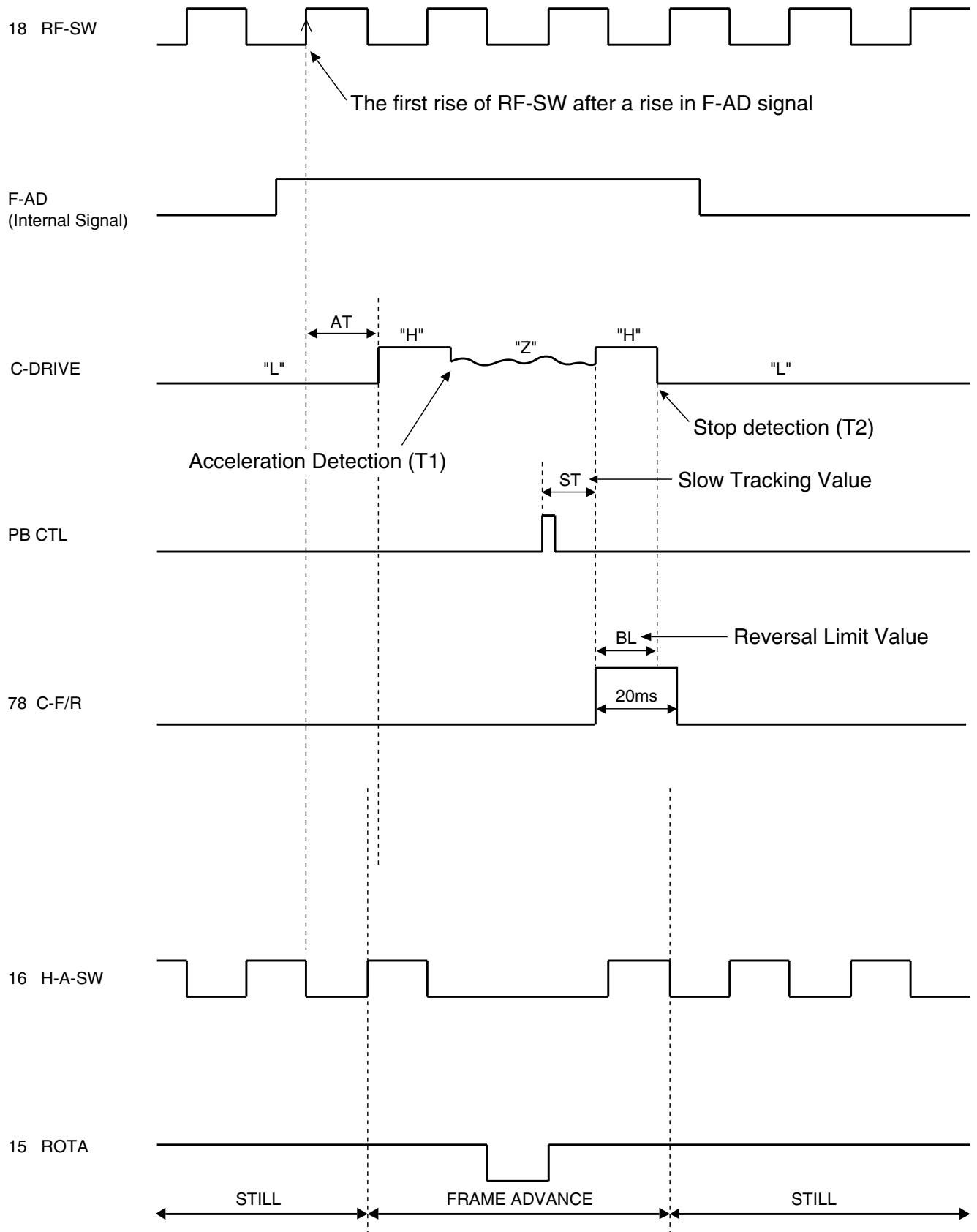


Fig. 1

2) LP/SLP Mode

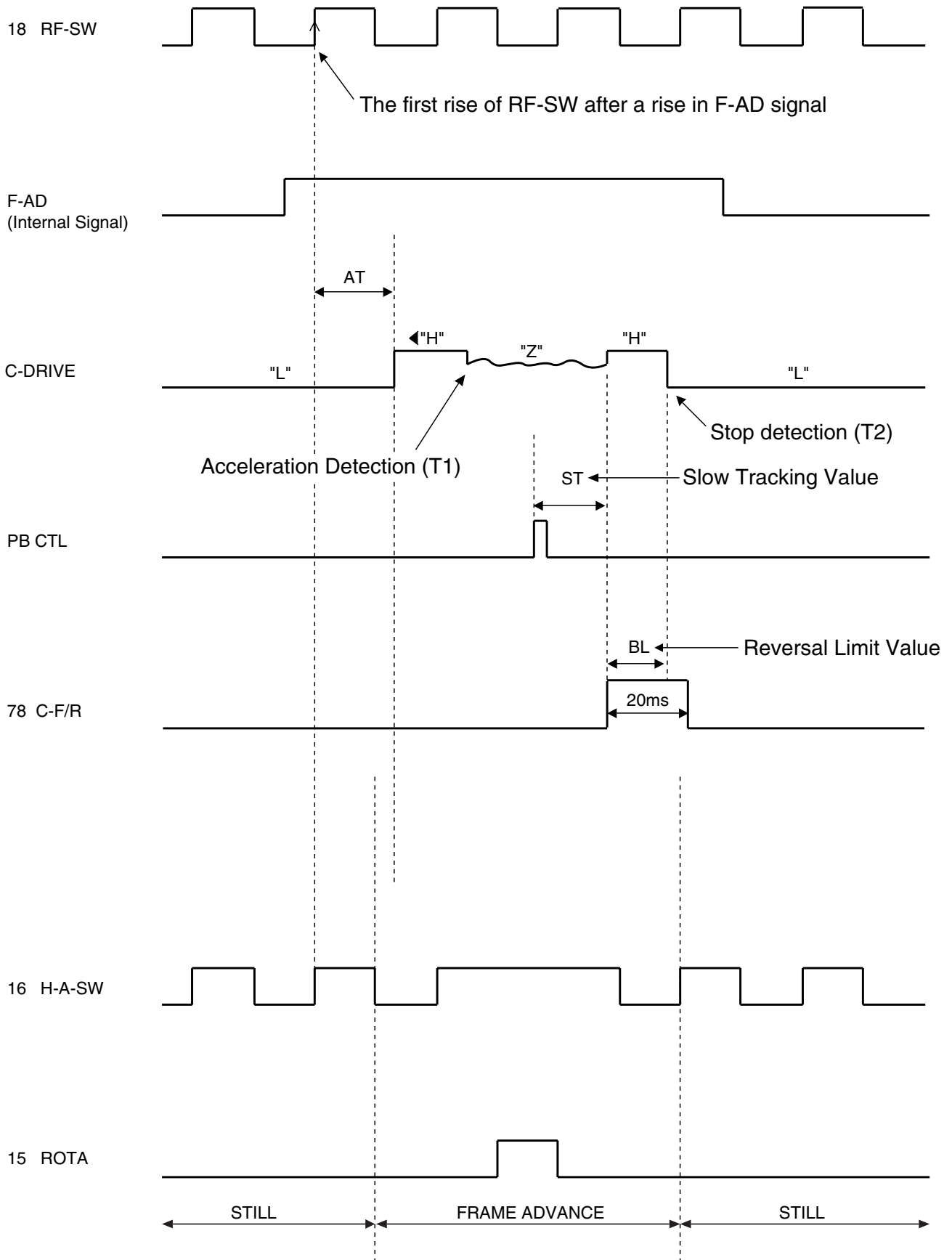


Fig. 2

1. EJECT (POWER OFF) -> CASSETTE IN (POWER ON) -> STOP(B) -> STOP(A) -> PLAY -> RS -> FS -> PLAY -> STILL -> PLAY -> STOP(A)

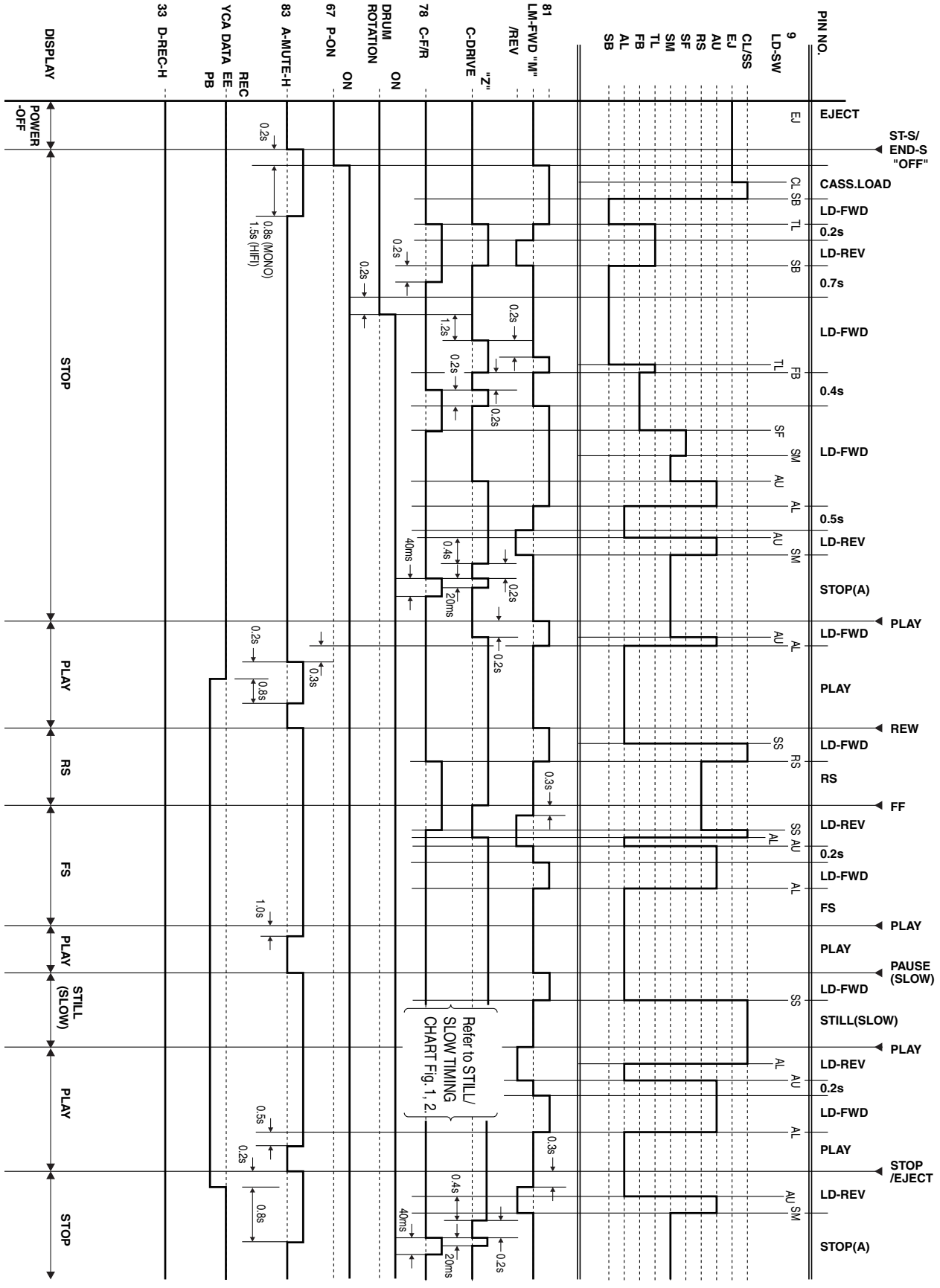


Fig. 3

2. STOP(A) -> FF -> STOP(A) -> REW -> STOP(A) -> REC -> PAUSE -> PAUSE or REC -> STOP(A) -> EJECT

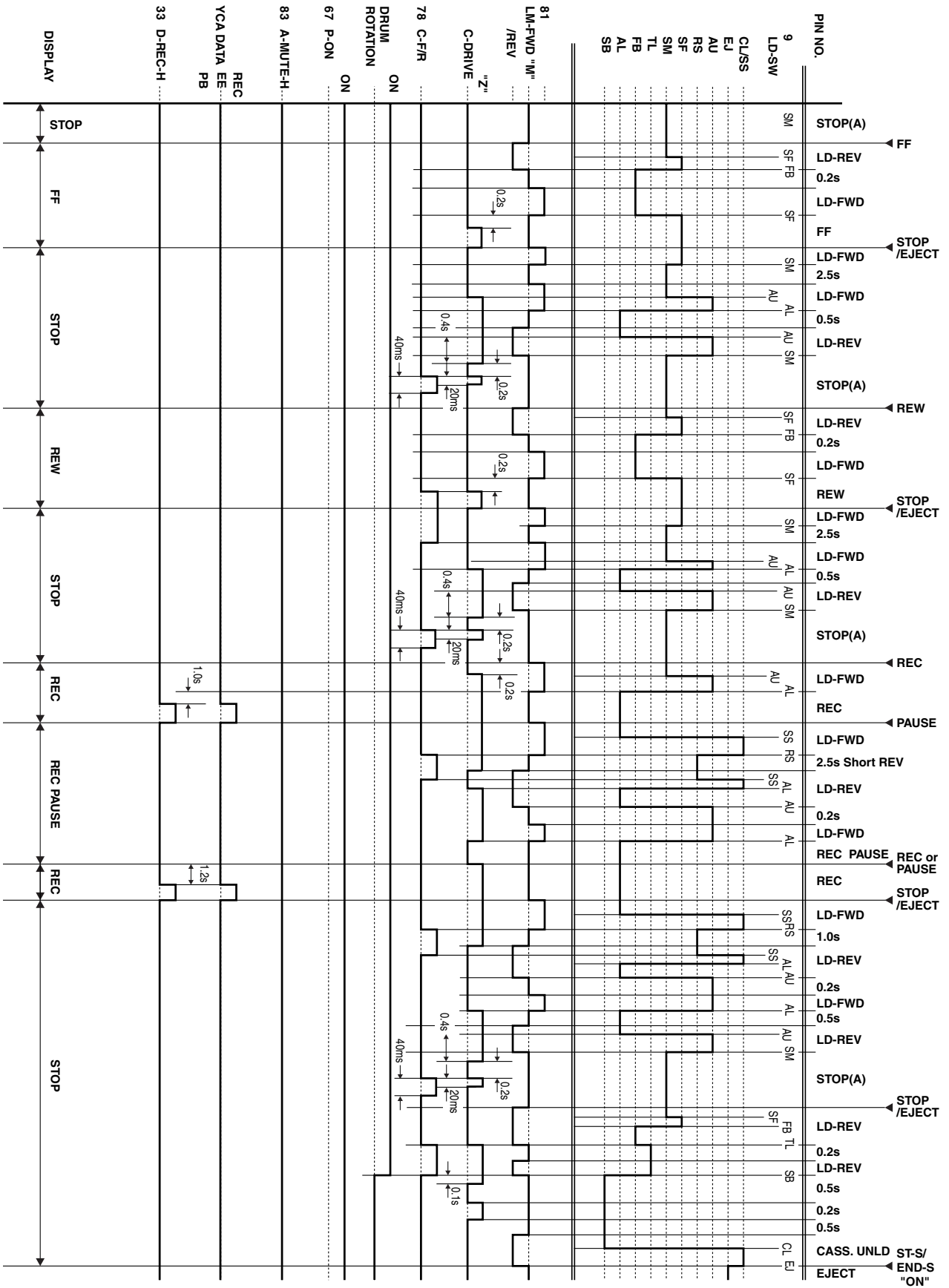
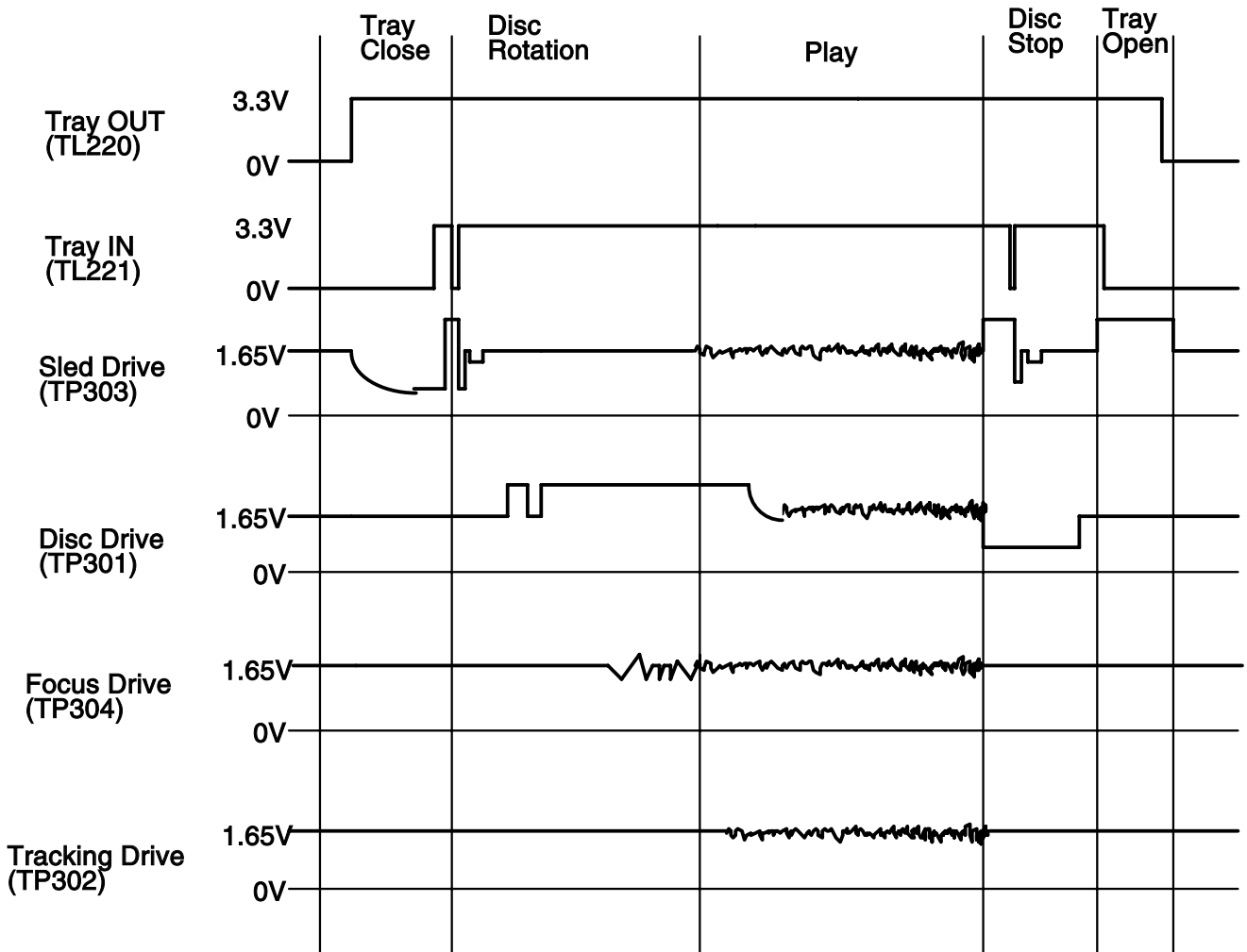


Fig. 4

[DVD Section]

Tray Close ~ Play / Play ~ Tray Open



IC PIN FUNCTION DESCRIPTIONS

[VCR Section]

Comparison Chart of Models and Marks

Model	Mark
DVD757VR/00	A
DVD757VR/05	B
DVD757VR/02	C

IC501(SERVO / SYSTEM CONTROL IC)

“H” ≥ 4.5V, “L” ≤ 1.0V

Pin No.	Mark	IN/OUT	Signal Name	Function	Active Level
1		IN	SC2-IN	Input Signal from Pin 8 of SCART2	A/D
2		IN	PG-Delay	Video Head Switching Pulse Signal Adjusted Voltage	A/D
3		IN	POW-SAF	P-ON Power Detection Input Signal	A/D
4		IN	END-S	Tape End Position Detect Signal	A/D
5		IN	AFC	Automatic Frequency Control Signal	A/D
6		IN	V-ENV	Video Envelope Comparator Signal	A/D
7		IN	KEY-1	Key Scan Input Signal 1	A/D
8		IN	KEY-2	Key Scan Input Signal 2	A/D
9		IN	LD-SW	Deck Mode Position Detector Signal	A/D
10		IN	ST-S	Tape Start Position Detector Signal	A/D
11		-	NU	Not Used	-
12		-	NU	Not Used	-
13		OUT	D-V-SYNC	Dummy V-sync Output	H/Hi-z
14		IN	REMOTE-VIDEO	Remote Control Sensor	L
15		OUT	C-ROTA	Color Phase Rotary Changeover Signal	H/L
16		OUT	H-A-SW	Video Head Amp Switching Pulse	H/L
17		IN	H-A-COMP	Head Amp Comparator Signal	H/L

Pin No.	Mark	IN/OUT	Signal Name	Function	Active Level
18		OUT	RF-SW	Video Head Switching Pulse	H/L
19		OUT	Hi-Fi-H-SW	HiFi Audio Head Switching Pulse	H/L
20		IN	DAVN-L	VPS/PDC Data Receive = “L”	L
21		OUT	DVD-POWER	DVD Power Control Signal	H
22		-	NU	Not Used	-
23		OUT	POWER-LED	“POWER” LED Signal Output	H/L
24		OUT	FIL-ON/OFF	Filament ON/OFF Control Signal	H/L
25		OUT	TIMER-LED	“TIMER” LED Signal Output	H/L
26		OUT	REC-LED	“REC” LED Signal Output	H/L
27		-	NU	Not Used	-
28		OUT	DVD PLAY	DVD Play at High	H
29		OUT	DVD-LED	“DVD” LED Signal Output	H/L
30		OUT	VCR-LED	“VCR” LED Signal Output	H/L
31		IN	REC-SAF-SW	Recording Safety SW Detect (With Record tab=“L”/ With out Record tab=“H”)	H/L
32		IN	A-MODE	Hi-Fi Tape Detection Signal	L
33		OUT	D-REC-H	Delayed Record Signal	H
34		IN	RESET	System Reset Signal (Reset=“L”)	L
35		IN	XCin	Sub Clock	-
36		OUT	XCOU	Sub Clock	-
37		-	Vcc	Vcc	-
38		IN	Xin	Main Clock Input	-
39		OUT	Xout	Main Clock Input	-
40		-	Vss	Vss(GND)	-
41		OUT	INPUT SELECT	Input Selector Control Signal	H/L
42		IN	DVD-8PIN-IN	SCART 8Pin DVD Input Control Signal	H/L
43		IN	CLKSEL	Clock Select (GND)	L
44		IN	OSCin	Clock Input for letter size	-

Pin No.	Mark	IN/OUT	Signal Name	Function	Active Level
45		OUT	OSCout	Clock Output for letter size	-
46		-	NU	Not Used	-
47		-	NU	Not Used	-
48		IN	FSC-IN [4.43MHz]	4.43MHz Clock Input	-
49		-	OSDVss	OSDVss	-
50		IN	OSD-V-IN	OSD Video Signal Input	-
51		-	NU	Not Used	-
52		OUT	OSD-V-OUT	OSD Video Signal Output	-
53		-	OSDVcc	OSDVcc	-
54		-	NU	Not Used	-
55		IN	COLOR-IN	SECAM or MESECAM Chroma Video Input Signal at Super Impose	Z/L
56		-	NU	Not Used	-
57		-	NU	Not Used	-
58		IN	C-SYNC	Composite Synchronized Pulse	PULSE
59		OUT	8POUT-1	Control SCART 1 8Pin Level by using 8POUT-1 and 8POUT-2	H/L
60		OUT	8POUT-2		
61	A,B	-	NU	Not Used	-
	C	IN	SECAM-H	SECAM Mode at High	H/L
62		-	NU	Not Used	-
63		-	NU	Not Used	-
64		IN	FTV-IN	Comparator Input of Video Signal for Follow TV	L/Hi-z
65		-	NU	Not Used	-
		OUT	TRICK-H	Special Playback = "H" in SECAM Mode	H
66		OUT	C-POW-SW	Capstan Power Switching Signal	H/L
67		OUT	P-ON-H	Power On Signal at High	H
68		OUT	DRV-DATA	VFD Driver IC Control Data	H/L
69		OUT	DRV-STB	VFD Driver IC Chip Select Signal	H/L
70		OUT	DRV-CLK	VFD Driver IC Control Clock	H/L

Pin No.	Mark	IN/OUT	Signal Name	Function	Active Level
71		OUT	IIC-BUS-SCL	IIC BUS Control Clock	H/L
72		IN/OUT	IIC-BUS-SDA	IIC BUS Control Data	H/L
73		OUT	P-OFF-H	Power Off at High	H
74		OUT	OUTPUT-SELECT	Output Select	H/L
75		IN	DVD-POWER-MONITOR	DVD Power Monitor Signal (P-off="L", P-on="H")	H/L
76		OUT	C-CONT	Capstan Motor Control Signal	PWM
77		OUT	D-CONT	Drum Motor Control Signal	PWM
78		OUT	C-F/R	Capstan Motor FWD/REV Control Signal (FWD="L"/REV="H")	H/L
79		IN	S-REEL	Supply Reel Rotation Signal	PULSE
80		IN	T-REEL	Take Up Reel Rotation Signal	PULSE
81		OUT	LM-FWD/REV	Loading Motor Control Signal	H/L/Hi-z
82		OUT	LINE-MUTE	Audio Mute Control Signal	H
83		OUT	A-MUTE-H	Audio Mute Control Signal (Mute = "H")	H
84		OUT	FF/REW-L	CTL Frequency Characteristics Switching Signal (FF/REW="L")	L
85		-	NU	Not Used	-
86		IN	P-DOWN-L	Power Voltage Down Detector Signal	L
87		IN	C-FG	Capstan Motor Rotation Detection Pulse	PULSE
88		-	NU	Not Used	-
89		-	NU	Not Used	-
90		IN	D-PFG	Drum Motor Phase/Frequency Generator	PULSE
91		-	AMPVREF OUT	V-Ref for CTL AMP	-
92		-	AMPVREF in	V-Ref for CTL AMP	-
93		-	NU	Not Used	-
94		IN/OUT	CTL -	Playback/Record Control Signal (-)	H/L

Pin No.	Mark	IN/OUT	Signal Name	Function	Active Level
95		IN/OUT	CTL +	Playback/Record Control Signal (+)	H/L
96		-	AMPC	CTL AMP Connected Terminal	-
97		-	CTLAMP out	To Monitor for CTL AMP Output	PULSE
98		-	AMPVcc	AMPVcc	-
99		-	AVcc	A/D Converter Power Input/ Standard Voltage Input	-
100		IN	AGC	IF AGC Control Signal	A/D

Notes:

Abbreviation for Active Level:

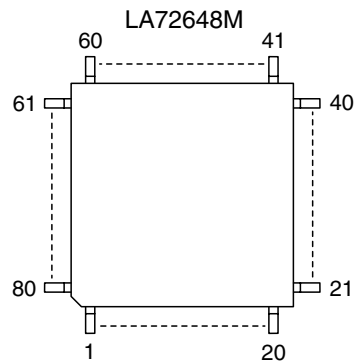
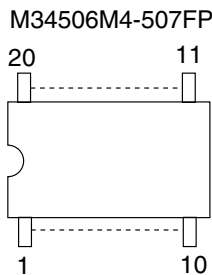
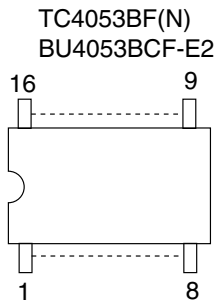
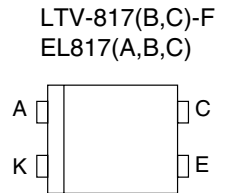
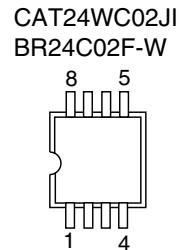
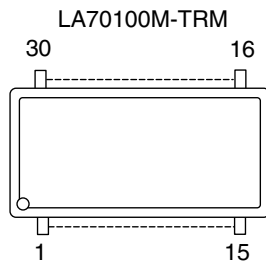
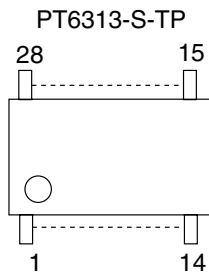
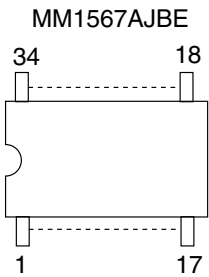
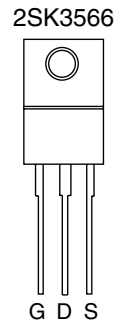
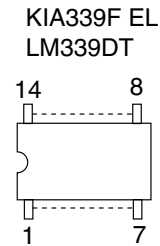
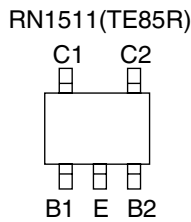
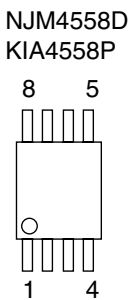
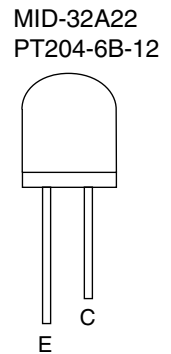
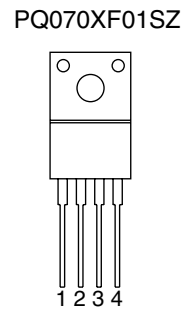
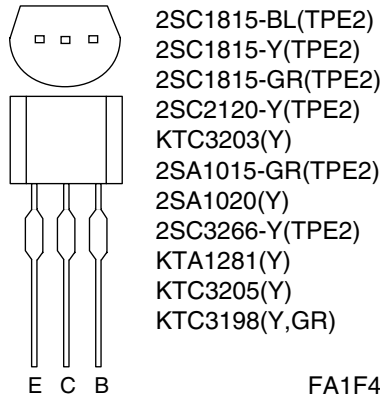
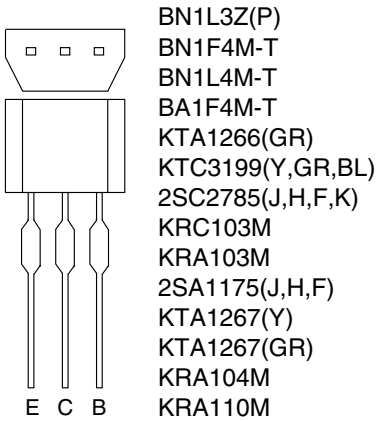
PWM -----Pulse Wide Modulation

A/D-----Analog - Digital Converter

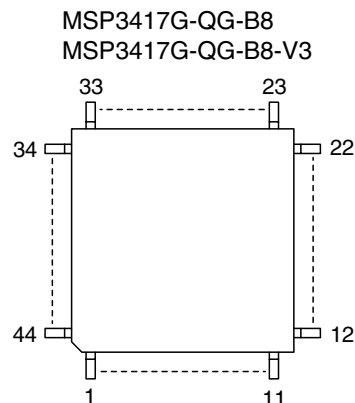
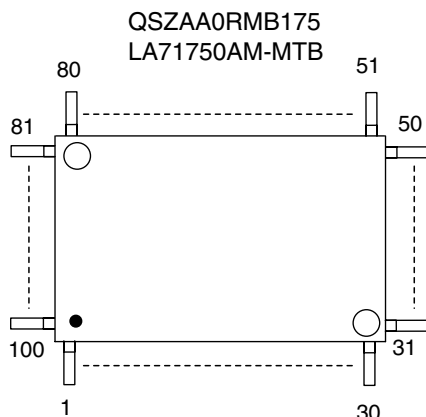
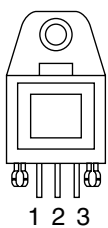
IC621 [PT6315-S(TP)]

Pin No.	In/Out	Signal Name	Name Function
1	In	CLK	Clock Input
2	In	STB	Serial Interface Strobe
3	In	K1	Key Data 1 Input
4	In	K2	Key Data 2 Input
5	-	VSS	GND
6	-	VDD	Power Supply
7	Out	a	Segment Output
8		b	
9		c	
10		d	
11		e	
12		f	
13		g	
14		h	
15	-	VEE	Pull Down Level
16	Out	i	Segment Output
17	Out	7G	Grid Output
18		6G	
19		5G	
20		4G	
21		3G	
22		2G	
23		1G	
24	-	VDD	Power Supply
25	-	VSS	GND
26	In	OSC	Oscillator Input
27	Out	DOUT	Serial Data Output
28	In	DIN	Serial Data Input

LEAD IDENTIFICATIONS




0C-0805T*002
 GP1FA512TZV



Note:

- A: Anode
- K: Cathode
- E: Emitter
- C: Collector
- B: Base
- R: Reference
- S: Source
- G: Gate
- D: Drain

ELECTRICAL PARTS LIST

PRODUCT SAFETY NOTE: Products marked with a  have special characteristics important to safety. Before replacing any of these components, read carefully the product safety notice in this service manual. Don't degrade the safety of the product through improper servicing.

NOTES:

- Parts that are not assigned part numbers (-----) are not available.
- Tolerance of Capacitors and Resistors are noted with the following symbols.

C.....±0.25% D.....±0.5% F.....±1%
 G.....±2% J.....±5% K.....±10%
 M.....±20% N.....±30% Z.....+80/-20%

3. LED Type:

When it is necessary to replace one or more of the following diodes, all two should be replaced: D501 and D504 on the Main CBA.

When it is necessary to replace one or more of the following diodes, all two should be replaced: D652 and D653 on the Front CBA.

Comparison Chart of Models and Marks

Model	Mark
DVD757VR/00	A
DVD757VR/05	B
DVD757VR/02	C

DVD MAIN CBA UNIT

Ref. No.	Description	Part No.	A	B	C
	DVD MAIN CBA UNIT	N79PPGEP	1	1	1

MCV CBA

Ref. No.	Description	Part No.	A	B	C
	MCV CBA MCV CBA MCV CBA Consists of the following	0VSA14319 0VSA14332 0VSA14334	1	1	1
	MAIN CBA(MCV-A) FUNCTION CBA(MCV-B) DVD OPEN/CLOSE CBA(MCV-C) SENSOR CBA	----- ----- ----- 0VSA14057	1	1	1

MAIN CBA

Ref. No.	Description	Part No.	A	B	C
	Main CBA(MCV-A) Consists of the following:	-----	1	1	1
CAPACITORS					
C056	ELECTROLYTIC CAP. 47µF/25V M or	CE1EMASDL470	1	1	1
	ELECTROLYTIC CAP. 47µF/25V M	CE1EMASTL470	1	1	1
C057	ELECTROLYTIC CAP. 10µF/16V M or	CE1CMASDL100	1	1	1

Ref. No.	Description	Part No.	A	B	C
	ELECTROLYTIC CAP. 10µF/16V M	CE1CMASTL100	1	1	1
C058	ELECTROLYTIC CAP. 330µF/6.3V M or	CE0KMASDL331	1	1	1
	ELECTROLYTIC CAP. 330µF/6.3V M	CE0KMASTL331	1	1	1
C059	ELECTROLYTIC CAP. 100µF/6.3V M or	CE0KMASDL101	1	1	1
	ELECTROLYTIC CAP. 100µF/6.3V M	CE0KMASTL101	1	1	1
C060	CHIP CERAMIC CAP. B K 0.047µF/50V or	CHD1JK30B473	1	1	1
	CHIP CERAMIC CAP. B K 0.047µF/25V	CHD1EK30B473	1	1	1
C062	CHIP CERAMIC CAP. F Z 0.1µF/50V or	CHD1JZ30F104	1	1	1
	CHIP CERAMIC CAP. F Z 0.1µF/25V or	CHD1EZ30F104	1	1	1
	CHIP CERAMIC CAP. FZ Z 0.1µF/50V	CHD1JZ3FZ104	1	1	1
C063	ELECTROLYTIC CAP. 47µF/16V M or	CE1CMASDL470	1	1	1
	ELECTROLYTIC CAP. 47µF/16V M	CE1CMASTL470	1	1	1
C068	CHIP CERAMIC CAP. CH J 470pF/50V or	CHD1JJ3CH471	1	1	1
	CHIP CERAMIC CAP. CG J 470pF/50V	CHD1JJ3CG471	1	1	1
C104	ELECTROLYTIC CAP. 100µF/16V M or	CE1CMASDL101	1	1	1
	ELECTROLYTIC CAP. 100µF/16V M	CE1CMASTL101	1	1	1
C107	ELECTROLYTIC CAP. 470µF/6.3V M or	CE0KMASDL471	1	1	1
	ELECTROLYTIC CAP. 470µF/6.3V M	CE0KMASTL471	1	1	1
C109	CHIP CERAMIC CAP. CH J 470pF/50V or	CHD1JJ3CH471	1	1	1
	CHIP CERAMIC CAP. CG J 470pF/50V	CHD1JJ3CG471	1	1	1
C112	CHIP CERAMIC CAP. CH J 470pF/50V or	CHD1JJ3CH471	1	1	1
	CHIP CERAMIC CAP. CG J 470pF/50V	CHD1JJ3CG471	1	1	1
C113	CHIP CERAMIC CAP. F Z 0.1µF/50V or	CHD1JZ30F104	1	1	1
	CHIP CERAMIC CAP. F Z 0.1µF/25V or	CHD1EZ30F104	1	1	1
	CHIP CERAMIC CAP. FZ Z 0.1µF/50V	CHD1JZ3FZ104	1	1	1
C114	CHIP CERAMIC CAP. B K 1000pF/50V	CHD1JK30B102	1	1	1
C116	CHIP CERAMIC CAP. B K 2200pF/50V	CHD1JK30B222	1	1	1
C117	ELECTROLYTIC CAP. 1µF/50V M or	CE1JMASDL1R0	1	1	1
	ELECTROLYTIC CAP. 1µF/50V M	CE1JMASTL1R0	1	1	1
C118	CHIP CERAMIC CAP. B K 2200pF/50V	CHD1JK30B222	1	1	1
C127	ELECTROLYTIC CAP. 10µF/16V M or	CE1CMASDL100	1	1	1
	ELECTROLYTIC CAP. 10µF/16V M	CE1CMASTL100	1	1	1
C129	ELECTROLYTIC CAP. 100µF/16V M H7	CE1CMAVSL101	1	1	
C130	ELECTROLYTIC CAP. 4.7µF/50V M H7	CE1JMAVSL4R7	1	1	
C131	ELECTROLYTIC CAP. 4.7µF/50V M H7	CE1JMAVSL4R7	1	1	
C132	ELECTROLYTIC CAP. 4.7µF/50V M H7	CE1JMAVSL4R7	1	1	
C251	ELECTROLYTIC CAP. 10µF/16V M H7	CE1CMAVSL100	1	1	1
C252	CHIP CERAMIC CAP. F Z 0.1µF/50V or	CHD1JZ30F104	1	1	1
	CHIP CERAMIC CAP. F Z 0.1µF/25V or	CHD1EZ30F104	1	1	1
	CHIP CERAMIC CAP. FZ Z 0.1µF/50V	CHD1JZ3FZ104	1	1	1
C253	CHIP CERAMIC CAP. B K 1000pF/50V	CHD1JK30B102	1	1	1
C254	ELECTROLYTIC CAP. 1µF/50V M H7	CE1JMAVSL1R0	1	1	1
C301	CHIP CERAMIC CAP. B K 0.022µF/50V or	CHD1JK30B223	1	1	1
	CHIP CERAMIC CAP. B K 0.022µF/25V	CHD1EK30B223	1	1	1
C302	ELECTROLYTIC CAP. 1µF/50V M H7	CE1JMAVSL1R0	1	1	1
C303	CHIP CERAMIC CAP. F Z 0.1µF/50V or	CHD1JZ30F104	1	1	1
	CHIP CERAMIC CAP. F Z 0.1µF/25V or	CHD1EZ30F104	1	1	1
	CHIP CERAMIC CAP. FZ Z 0.1µF/50V	CHD1JZ3FZ104	1	1	1
C305	ELECTROLYTIC CAP. 1µF/50V M H7	CE1JMAVSL1R0	1	1	1
C306	CHIP CERAMIC CAP. B K 0.047µF/50V or	CHD1JK30B473	1	1	1
	CHIP CERAMIC CAP. B K 0.047µF/25V	CHD1EK30B473	1	1	1
C307	CHIP CERAMIC CAP. B K 0.022µF/50V or	CHD1JK30B223	1	1	1
	CHIP CERAMIC CAP. B K 0.022µF/25V	CHD1EK30B223	1	1	1
C308	CHIP CERAMIC CAP. F Z 0.1µF/50V or	CHD1JZ30F104	1	1	1
	CHIP CERAMIC CAP. F Z 0.1µF/25V or	CHD1EZ30F104	1	1	1
	CHIP CERAMIC CAP. FZ Z 0.1µF/50V	CHD1JZ3FZ104	1	1	1
C309	CHIP CERAMIC CAP. CH J 68pF/50V or	CHD1JJ3CH680	1	1	1

Ref. No.	Description	Part No.	A	B	C
	CHIP CERAMIC CAP. CG J 68pF/50V	CHD1JJ3CG680	1	1	1
C310	CHIP CERAMIC CAP. CH J 68pF/50V or	CHD1JJ3CH680	1	1	1
	CHIP CERAMIC CAP. CG J 68pF/50V	CHD1JJ3CG680	1	1	1
C311	CHIP CERAMIC CAP. F Z 0.1μF/50V or	CHD1JZ30F104	1	1	1
	CHIP CERAMIC CAP. F Z 0.1μF/25V or	CHD1EZ30F104	1	1	1
	CHIP CERAMIC CAP. FZ Z 0.1μF/50V	CHD1JZ3FZ104	1	1	1
C312	ELECTROLYTIC CAP. 10μF/16V M H7	CE1CMAVSL100	1	1	1
C313	ELECTROLYTIC CAP. 1μF/50V M H7	CE1JMAVSLR0	1	1	1
C314	CHIP CERAMIC CAP. B K 0.01μF/50V	CHD1JK30B103	1	1	1
C315	CHIP CERAMIC CAP. B K 0.047μF/50V or	CHD1JK30B473	1	1	1
	CHIP CERAMIC CAP. B K 0.047μF/25V	CHD1EK30B473	1	1	1
C316	ELECTROLYTIC CAP. 1μF/50V M H7	CE1JMAVSLR0	1	1	1
C317	CHIP CERAMIC CAP. F Z 0.1μF/50V or	CHD1JZ30F104	1	1	1
	CHIP CERAMIC CAP. F Z 0.1μF/25V or	CHD1EZ30F104	1	1	1
	CHIP CERAMIC CAP. FZ Z 0.1μF/50V	CHD1JZ3FZ104	1	1	1
C318	CHIP CERAMIC CAP. B K 0.022μF/50V or	CHD1JK30B223			1
	CHIP CERAMIC CAP. B K 0.022μF/25V	CHD1EK30B223			1
C319	CHIP CERAMIC CAP. CH J 68pF/50V or	CHD1JJ3CH680	1	1	1
	CHIP CERAMIC CAP. CG J 68pF/50V	CHD1JJ3CG680	1	1	1
C320	CHIP CERAMIC CAP. F Z 0.1μF/50V or	CHD1JZ30F104	1	1	1
	CHIP CERAMIC CAP. F Z 0.1μF/25V or	CHD1EZ30F104	1	1	1
	CHIP CERAMIC CAP. FZ Z 0.1μF/50V	CHD1JZ3FZ104	1	1	1
C321	CHIP CERAMIC CAP. F Z 0.1μF/50V or	CHD1JZ30F104	1	1	1
	CHIP CERAMIC CAP. F Z 0.1μF/25V or	CHD1EZ30F104	1	1	1
	CHIP CERAMIC CAP. FZ Z 0.1μF/50V	CHD1JZ3FZ104	1	1	1
C322	CHIP CERAMIC CAP. F Z 0.1μF/50V or	CHD1JZ30F104	1	1	1
	CHIP CERAMIC CAP. F Z 0.1μF/25V or	CHD1EZ30F104	1	1	1
	CHIP CERAMIC CAP. FZ Z 0.1μF/50V	CHD1JZ3FZ104	1	1	1
C323	CHIP CERAMIC CAP. CH J 68pF/50V or	CHD1JJ3CH680	1	1	1
	CHIP CERAMIC CAP. CG J 68pF/50V	CHD1JJ3CG680	1	1	1
C324	CHIP CERAMIC CAP. B K 0.01μF/50V	CHD1JK30B103	1	1	1
C325	CHIP CERAMIC CAP. B K 8200pF/50V	CHD1JK30B822	1	1	1
C326	CHIP CERAMIC CAP. F Z 0.1μF/50V or	CHD1JZ30F104	1	1	1
	CHIP CERAMIC CAP. F Z 0.1μF/25V or	CHD1EZ30F104	1	1	1
	CHIP CERAMIC CAP. FZ Z 0.1μF/50V	CHD1JZ3FZ104	1	1	1
C328	ELECTROLYTIC CAP. 47μF/6.3V M H7	CE0KMAVSL470	1	1	1
C329	CHIP CERAMIC CAP. F Z 0.1μF/50V or	CHD1JZ30F104	1	1	1
	CHIP CERAMIC CAP. F Z 0.1μF/25V or	CHD1EZ30F104	1	1	1
	CHIP CERAMIC CAP. FZ Z 0.1μF/50V	CHD1JZ3FZ104	1	1	1
C330	ELECTROLYTIC CAP. 100μF/16V M H7	CE1CMAVSL101	1	1	1
C331	ELECTROLYTIC CAP. 220μF/6.3V M H7	CE0KMAVSL221	1	1	1
C333	CHIP CERAMIC CAP. F Z 0.1μF/50V or	CHD1JZ30F104	1	1	1
	CHIP CERAMIC CAP. F Z 0.1μF/25V or	CHD1EZ30F104	1	1	1
	CHIP CERAMIC CAP. FZ Z 0.1μF/50V	CHD1JZ3FZ104	1	1	1
C334	ELECTROLYTIC CAP. 1μF/50V M H7	CE1JMAVSLR0	1	1	1
C335	ELECTROLYTIC CAP. 100μF/6.3V H7	CE0KMAVSL101	1	1	1
C336	CHIP CERAMIC CAP. CH J 220pF/50V or	CHD1JJ3CH221	1	1	1
	CHIP CERAMIC CAP. CG J 220pF/50V	CHD1JJ3CG221	1	1	1
C337	CHIP CERAMIC CAP. F Z 0.1μF/50V or	CHD1JZ30F104	1	1	1
	CHIP CERAMIC CAP. F Z 0.1μF/25V or	CHD1EZ30F104	1	1	1
	CHIP CERAMIC CAP. FZ Z 0.1μF/50V	CHD1JZ3FZ104	1	1	1
C339	CHIP CERAMIC CAP. CH J 120pF/50V or	CHD1JJ3CH121	1	1	1
	CHIP CERAMIC CAP. CG J 120pF/50V	CHD1JJ3CG121	1	1	1
C340	ELECTROLYTIC CAP. 1μF/50V M H7	CE1JMAVSLR0	1	1	1
C341	CHIP CERAMIC CAP. CH D 10pF/50V or	CHD1JD3CH100	1	1	1
	CHIP CERAMIC CAP. CG D 10pF/50V	CHD1JD3CG100	1	1	1
C342	CHIP CERAMIC CAP. B K 1000pF/50V	CHD1JK30B102	1	1	1
C343	ELECTROLYTIC CAP. 10μF/16V M H7	CE1CMAVSL100	1	1	1
C344	ELECTROLYTIC CAP. 4.7μF/25V M NP H7	CP1EMAVSB4R7	1	1	1
C345	ELECTROLYTIC CAP. 0.47μF/50V M H7	CE1JMAVSLR47	1	1	1
C346	CHIP CERAMIC CAP. F Z 0.1μF/50V or	CHD1JZ30F104	1	1	1

Ref. No.	Description	Part No.	A	B	C
	CHIP CERAMIC CAP. F Z 0.1μF/25V or	CHD1EZ30F104	1	1	1
	CHIP CERAMIC CAP. FZ Z 0.1μF/50V	CHD1JZ3FZ104	1	1	1
C347	CHIP CERAMIC CAP. CH J 68pF/50V or	CHD1JJ3CH680	1	1	1
	CHIP CERAMIC CAP. CG J 68pF/50V	CHD1JJ3CG680	1	1	1
C348	CERAMIC CAP.(AX) F Z 0.1μF/50V	CCA1JZTFZ104	1	1	1
C349	ELECTROLYTIC CAP. 0.47μF/50V M H7	CE1JMAVSLR47	1	1	1
C350	CERAMIC CAP.(AX) F Z 0.1μF/50V	CCA1JZTFZ104	1	1	1
C370	CERAMIC CAP.(AX) Y M 0.01μF/16V	CCA1CMT0Y103			1
C371	CHIP CERAMIC CAP. B K 0.022μF/50V or	CHD1JK30B223			1
	CHIP CERAMIC CAP. B K 0.022μF/25V	CHD1EK30B223			1
C372	CHIP CERAMIC CAP. F Z 0.1μF/50V or	CHD1JZ30F104			1
	CHIP CERAMIC CAP. F Z 0.1μF/25V or	CHD1EZ30F104			1
	CHIP CERAMIC CAP. FZ Z 0.1μF/50V	CHD1JZ3FZ104			1
C373	CHIP CERAMIC CAP. F Z 0.1μF/50V or	CHD1JZ30F104			1
	CHIP CERAMIC CAP. F Z 0.1μF/25V or	CHD1EZ30F104			1
	CHIP CERAMIC CAP. FZ Z 0.1μF/50V	CHD1JZ3FZ104			1
C374	CHIP CERAMIC CAP. F Z 0.1μF/50V or	CHD1JZ30F104			1
	CHIP CERAMIC CAP. F Z 0.1μF/25V or	CHD1EZ30F104			1
	CHIP CERAMIC CAP. FZ Z 0.1μF/50V	CHD1JZ3FZ104			1
C375	CHIP CERAMIC CAP. B K 0.01μF/50V	CHD1JK30B103			1
C376	CHIP CERAMIC CAP. B K 0.022μF/50V or	CHD1JK30B223			1
	CHIP CERAMIC CAP. B K 0.022μF/25V	CHD1EK30B223			1
C377	CHIP CERAMIC CAP. B K 0.01μF/50V	CHD1JK30B103			1
C378	CHIP CERAMIC CAP. B K 0.01μF/50V	CHD1JK30B103			1
C379	ELECTROLYTIC CAP. 0.47μF/50V M H7	CE1JMAVSLR47			1
C381	CHIP CERAMIC CAP. F Z 0.1μF/50V or	CHD1JZ30F104			1
	CHIP CERAMIC CAP. F Z 0.1μF/25V or	CHD1EZ30F104			1
	CHIP CERAMIC CAP. FZ Z 0.1μF/50V	CHD1JZ3FZ104			1
C382	CHIP CERAMIC CAP. B K 2200pF/50V	CHD1JK30B222			1
C383	CHIP CERAMIC CAP. B K 2200pF/50V	CHD1JK30B222			1
C384	ELECTROLYTIC CAP. 2.2μF/50V M H7	CE1JMAVSL2R2			1
C402	FILM CAP.(P) 0.018μF/50V	CMA1JJP00183	1	1	1
C403	CERAMIC CAP. B K 470pF/100V	CCD2AKS0B471	1	1	1
C404	ELECTROLYTIC CAP. 220μF/6.3V M H7	CE0KMAVSL221	1	1	1
C405	ELECTROLYTIC CAP. 47μF/6.3V M H7	CE0KMAVSL470	1	1	1
C407	CHIP CERAMIC CAP. CH J 820pF/50V or	CHD1JJ3CH821	1	1	1
	CHIP CERAMIC CAP. CH J 820pF/25V or	CHD1EJ3CH821	1	1	1
	CHIP CERAMIC CAP. CG J 820pF/50V	CHD1JJ3CG821	1	1	1
C408	CHIP CERAMIC CAP. B K 1800pF/50V	CHD1JK30B182	1	1	1
C409	CHIP CERAMIC CAP. CH J 33pF/50V or	CHD1JJ3CH330	1	1	1
	CHIP CERAMIC CAP. CG J 33pF/50V	CHD1JJ3CG330	1	1	1
C410	ELECTROLYTIC CAP. 10μF/16V M H7	CE1CMAVSL100	1	1	1
C411	CHIP CERAMIC CAP. B K 0.01μF/50V	CHD1JK30B103	1	1	1
C412	ELECTROLYTIC CAP. 33μF/6.3V M H7	CE0KMAVSL330	1	1	1
C413	CHIP CERAMIC CAP. F Z 0.1μF/50V or	CHD1JZ30F104	1	1	1
	CHIP CERAMIC CAP. F Z 0.1μF/25V or	CHD1EZ30F104	1	1	1
	CHIP CERAMIC CAP. FZ Z 0.1μF/50V	CHD1JZ3FZ104	1	1	1
C414	CHIP CERAMIC CAP. B K 0.01μF/50V	CHD1JK30B103	1	1	1
C415	ELECTROLYTIC CAP. 4.7μF/25V M H7	CE1EMAVSL4R7	1	1	1
C416	CHIP CERAMIC CAP. B K 4700pF/50V	CHD1JK30B472	1	1	1
C417	ELECTROLYTIC CAP. 22μF/6.3V M H7	CE0KMAVSL220	1	1	1
C418	CHIP CERAMIC CAP. F Z 0.1μF/50V or	CHD1JZ30F104	1	1	1
	CHIP CERAMIC CAP. F Z 0.1μF/25V or	CHD1EZ30F104	1	1	1
	CHIP CERAMIC CAP. FZ Z 0.1μF/50V	CHD1JZ3FZ104	1	1	1
C419	CHIP CERAMIC CAP. CH J 220pF/50V or	CHD1JJ3CH221	1	1	1
	CHIP CERAMIC CAP. CG J 220pF/50V	CHD1JJ3CG221	1	1	1
C420	CHIP CERAMIC CAP. B K 0.01μF/50V	CHD1JK30B103	1	1	1
C421	ELECTROLYTIC CAP. 47μF/6.3V M H7	CE0KMAVSL470	1	1	1
C451	CHIP CERAMIC CAP. F Z 0.1μF/50V or	CHD1JZ30F104	1	1	1
	CHIP CERAMIC CAP. F Z 0.1μF/25V or	CHD1EZ30F104	1	1	1
	CHIP CERAMIC CAP. FZ Z 0.1μF/50V	CHD1JZ3FZ104	1	1	1

Ref. No.	Description	Part No.	A	B	C
C452	ELECTROLYTIC CAP. 10μF/16V M H7	CE1CMAVSL100	1	1	1
C453	ELECTROLYTIC CAP. 22μF/10V M H7	CE1AMAVSL220	1	1	1
C454	CHIP CERAMIC CAP. F Z 0.1μF/50V or	CHD1JZ30F104	1	1	1
	CHIP CERAMIC CAP. F Z 0.1μF/25V or	CHD1EZ30F104	1	1	1
	CHIP CERAMIC CAP. FZ Z 0.1μF/50V	CHD1JZ3FZ104	1	1	1
C455	CHIP CERAMIC CAP. F Z 0.1μF/50V or	CHD1JZ30F104	1	1	1
	CHIP CERAMIC CAP. F Z 0.1μF/25V or	CHD1EZ30F104	1	1	1
	CHIP CERAMIC CAP. FZ Z 0.1μF/50V	CHD1JZ3FZ104	1	1	1
C456	ELECTROLYTIC CAP. 10μF/16V M H7	CE1CMAVSL100	1	1	1
C457	ELECTROLYTIC CAP. 4.7μF/25V M H7	CE1EMAVSL4R7	1	1	1
C458	CHIP CERAMIC CAP. B K 0.01μF/50V	CHD1JK30B103	1	1	1
C461	CHIP CERAMIC CAP. B K 0.01μF/50V	CHD1JK30B103	1	1	1
C462	CHIP CERAMIC CAP. B K 4700pF/50V	CHD1JK30B472	1	1	1
C463	ELECTROLYTIC CAP. 22μF/10V M H7	CE1AMAVSL220	1	1	1
C464	CHIP CERAMIC CAP. B K 0.01μF/50V	CHD1JK30B103	1	1	1
C465	ELECTROLYTIC CAP. 10μF/16V M H7	CE1CMAVSL100	1	1	1
C466	CHIP CERAMIC CAP. F Z 0.1μF/50V or	CHD1JZ30F104	1	1	1
	CHIP CERAMIC CAP. F Z 0.1μF/25V or	CHD1EZ30F104	1	1	1
	CHIP CERAMIC CAP. FZ Z 0.1μF/50V	CHD1JZ3FZ104	1	1	1
C467	CHIP CERAMIC CAP. F Z 0.1μF/50V or	CHD1JZ30F104	1	1	1
	CHIP CERAMIC CAP. F Z 0.1μF/25V or	CHD1EZ30F104	1	1	1
	CHIP CERAMIC CAP. FZ Z 0.1μF/50V	CHD1JZ3FZ104	1	1	1
C468	ELECTROLYTIC CAP. 220μF/6.3V M H7	CE0KMAVSL221	1	1	1
C469	ELECTROLYTIC CAP. 22μF/10V M H7	CE1AMAVSL220	1	1	1
C470	CHIP CERAMIC CAP. B K 4700pF/50V	CHD1JK30B472	1	1	1
C471	CHIP CERAMIC CAP. B K 0.01μF/50V	CHD1JK30B103	1	1	1
C472	ELECTROLYTIC CAP. 4.7μF/25V M H7	CE1EMAVSL4R7	1	1	1
C473	ELECTROLYTIC CAP. 10μF/16V M H7	CE1CMAVSL100	1	1	1
C474	CHIP CERAMIC CAP. F Z 0.1μF/50V or	CHD1JZ30F104	1	1	1
	CHIP CERAMIC CAP. F Z 0.1μF/25V or	CHD1EZ30F104	1	1	1
	CHIP CERAMIC CAP. FZ Z 0.1μF/50V	CHD1JZ3FZ104	1	1	1
C475	CHIP CERAMIC CAP. F Z 0.1μF/50V or	CHD1JZ30F104	1	1	1
	CHIP CERAMIC CAP. F Z 0.1μF/25V or	CHD1EZ30F104	1	1	1
	CHIP CERAMIC CAP. FZ Z 0.1μF/50V	CHD1JZ3FZ104	1	1	1
C476	ELECTROLYTIC CAP. 22μF/6.3V M H7	CE0KMAVSL220	1	1	1
C477	CHIP CERAMIC CAP. F Z 0.1μF/50V or	CHD1JZ30F104	1	1	1
	CHIP CERAMIC CAP. F Z 0.1μF/25V or	CHD1EZ30F104	1	1	1
	CHIP CERAMIC CAP. FZ Z 0.1μF/50V	CHD1JZ3FZ104	1	1	1
C478	CHIP CERAMIC CAP. F Z 0.1μF/50V or	CHD1JZ30F104	1	1	1
	CHIP CERAMIC CAP. F Z 0.1μF/25V or	CHD1EZ30F104	1	1	1
	CHIP CERAMIC CAP. FZ Z 0.1μF/50V	CHD1JZ3FZ104	1	1	1
C479	ELECTROLYTIC CAP. 10μF/16V M H7	CE1CMAVSL100	1	1	1
C480	ELECTROLYTIC CAP. 4.7μF/25V M H7	CE1EMAVSL4R7	1	1	1
C481	ELECTROLYTIC CAP. 4.7μF/25V M H7	CE1EMAVSL4R7	1	1	1
C482	CHIP CERAMIC CAP. F Z 0.1μF/50V or	CHD1JZ30F104	1	1	1
	CHIP CERAMIC CAP. F Z 0.1μF/25V or	CHD1EZ30F104	1	1	1
	CHIP CERAMIC CAP. FZ Z 0.1μF/50V	CHD1JZ3FZ104	1	1	1
C483	ELECTROLYTIC CAP. 4.7μF/25V M H7	CE1EMAVSL4R7	1	1	1
C484	ELECTROLYTIC CAP. 4.7μF/25V M H7	CE1EMAVSL4R7	1	1	1
C485	ELECTROLYTIC CAP. 10μF/16V M H7	CE1CMAVSL100	1	1	1
C486	CHIP CERAMIC CAP. F Z 0.1μF/50V or	CHD1JZ30F104	1	1	1
	CHIP CERAMIC CAP. F Z 0.1μF/25V or	CHD1EZ30F104	1	1	1
	CHIP CERAMIC CAP. FZ Z 0.1μF/50V	CHD1JZ3FZ104	1	1	1
C487	ELECTROLYTIC CAP. 47μF/16V M H7	CE1CMAVSL470	1	1	1
C488	CHIP CERAMIC CAP. F Z 0.1μF/50V or	CHD1JZ30F104	1	1	1
	CHIP CERAMIC CAP. F Z 0.1μF/25V or	CHD1EZ30F104	1	1	1
	CHIP CERAMIC CAP. FZ Z 0.1μF/50V	CHD1JZ3FZ104	1	1	1
C505	CHIP CERAMIC CAP. B K 0.01μF/50V	CHD1JK30B103	1	1	1
C506	ELECTROLYTIC CAP. 220μF/6.3V M H7	CE0KMAVSL221	1	1	1
C508	CHIP CERAMIC CAP. F Z 0.1μF/50V or	CHD1JZ30F104	1	1	1
	CHIP CERAMIC CAP. F Z 0.1μF/25V or	CHD1EZ30F104	1	1	1

Ref. No.	Description	Part No.	A	B	C
	CHIP CERAMIC CAP. FZ Z 0.1μF/50V	CHD1JZ3FZ104	1	1	1
C509	CHIP CERAMIC CAP. B K 1000pF/50V	CHD1JK30B102	1	1	1
C510	CHIP CERAMIC CAP. B K 4700pF/50V	CHD1JK30B472	1	1	1
C511	CHIP CERAMIC CAP. CH J 100pF/50V or	CHD1JJ3CH101	1	1	1
	CHIP CERAMIC CAP. CG J 100pF/50V	CHD1JJ3CG101	1	1	1
C513	CHIP CERAMIC CAP. B K 0.01μF/50V	CHD1JK30B103	1	1	1
C514	CHIP CERAMIC CAP. CH J 330pF/50V or	CHD1JJ3CH331	1	1	1
	CHIP CERAMIC CAP. CG J 330pF/50V	CHD1JJ3CG331	1	1	1
C515	CHIP CERAMIC CAP. F Z 0.1μF/50V or	CHD1JZ30F104	1	1	1
	CHIP CERAMIC CAP. F Z 0.1μF/25V or	CHD1EZ30F104	1	1	1
	CHIP CERAMIC CAP. FZ Z 0.1μF/50V	CHD1JZ3FZ104	1	1	1
C516	ELECTROLYTIC CAP. 22μF/6.3V M H7	CE0KMAVSL220	1	1	1
C517	CERAMIC CAP.(AX) F Z 0.022μF/25V	CCA1EZTFZ223	1	1	1
C518	ELECTROLYTIC CAP. 22μF/6.3V M H7	CE0KMAVSL220	1	1	1
C519	CHIP CERAMIC CAP. CH J 560pF/50V or	CHD1JJ3CH561	1	1	1
	CHIP CERAMIC CAP. CG J 560pF/50V	CHD1JJ3CG561	1	1	1
C521	ELECTROLYTIC CAP. 22μF/6.3V M H7	CE0KMAVSL220	1	1	1
C522	CHIP CERAMIC CAP. B K 0.01μF/50V	CHD1JK30B103	1	1	1
C524	CHIP CERAMIC CAP. B K 0.01μF/50V	CHD1JK30B103	1	1	1
C527	CERAMIC CAP.(AX) B K 100pF/50V	CCA1JKTOB101	1	1	1
C531	CHIP CERAMIC CAP. B K 4700pF/50V	CHD1JK30B472	1	1	1
C533	CHIP CERAMIC CAP. B K 0.047μF/50V or	CHD1JK30B473	1	1	1
	CHIP CERAMIC CAP. B K 0.047μF/25V	CHD1EK30B473	1	1	1
C534	ELECTROLYTIC CAP. 47μF/6.3V M H7	CE0KMAVSL470	1	1	1
C535	CHIP CERAMIC CAP. F Z 0.1μF/50V or	CHD1JZ30F104	1	1	1
	CHIP CERAMIC CAP. F Z 0.1μF/25V or	CHD1EZ30F104	1	1	1
	CHIP CERAMIC CAP. FZ Z 0.1μF/50V	CHD1JZ3FZ104	1	1	1
C536	CHIP CERAMIC CAP. CH J 560pF/50V or	CHD1JJ3CH561			1
	CHIP CERAMIC CAP. CG J 560pF/50V	CHD1JJ3CG561			1
C538	CHIP CERAMIC CAP. CH J 180pF/50V or	CHD1JJ3CH181	1	1	1
	CHIP CERAMIC CAP. CG J 180pF/50V	CHD1JJ3CG181	1	1	1
C539	CHIP CERAMIC CAP. B K 0.01μF/50V	CHD1JK30B103	1	1	1
C540	CHIP CERAMIC CAP. B K 4700pF/50V	CHD1JK30B472	1	1	1
C541	CHIP CERAMIC CAP. CH J 18pF/50V or	CHD1JJ3CH180	1	1	1
	CHIP CERAMIC CAP. CG J 18pF/50V	CHD1JJ3CG180	1	1	1
C542	CHIP CERAMIC CAP. CH J 18pF/50V or	CHD1JJ3CH180	1	1	1
	CHIP CERAMIC CAP. CG J 18pF/50V	CHD1JJ3CG180	1	1	1
C543	CHIP CERAMIC CAP. CH J 22pF/50V or	CHD1JJ3CH220	1	1	1
	CHIP CERAMIC CAP. CG J 22pF/50V	CHD1JJ3CG220	1	1	1
C544	CHIP CERAMIC CAP. CH J 22pF/50V or	CHD1JJ3CH220	1	1	1
	CHIP CERAMIC CAP. CG J 22pF/50V	CHD1JJ3CG220	1	1	1
C545	CHIP CERAMIC CAP. CH J 22pF/50V or	CHD1JJ3CH220	1	1	1
	CHIP CERAMIC CAP. CG J 22pF/50V	CHD1JJ3CG220	1	1	1
C546	CHIP CERAMIC CAP. CH J 22pF/50V or	CHD1JJ3CH220	1	1	1
	CHIP CERAMIC CAP. CG J 22pF/50V	CHD1JJ3CG220	1	1	1
C547	CHIP CERAMIC CAP. B K 0.01μF/50V	CHD1JK30B103	1	1	1
C548	CHIP CERAMIC CAP. F Z 0.1μF/50V or	CHD1JZ30F104	1	1	1
	CHIP CERAMIC CAP. F Z 0.1μF/25V or	CHD1EZ30F104	1	1	1
	CHIP CERAMIC CAP. FZ Z 0.1μF/50V	CHD1JZ3FZ104	1	1	1
C549	ELECTROLYTIC CAP. 1μF/50V M H7	CE1JMAVSL1R0	1	1	1
C550	ELECTROLYTIC CAP. 100μF/6.3V H7	CE0KMAVSL101	1	1	1
C553	ELECTROLYTIC CAP. 22μF/10V M H7	CE1AMAVSL220	1	1	1
C555	CHIP CERAMIC CAP. B K 0.1μF/25V or	CHD1EK30B104	1	1	1
	CHIP CERAMIC CAP. B K 0.1μF/16V	CHD1CK30B104	1	1	1
C611	ELECTROLYTIC CAP. 22μF/50V M or	CE1JMASDL220	1	1	1
	ELECTROLYTIC CAP. 22μF/50V M	CE1JMASTL220	1	1	1
C612	CHIP CERAMIC CAP. B K 4700pF/50V	CHD1JK30B472	1	1	1
C614	CHIP CERAMIC CAP. F Z 0.1μF/50V or	CHD1JZ30F104	1	1	1
	CHIP CERAMIC CAP. F Z 0.1μF/25V or	CHD1EZ30F104	1	1	1
	CHIP CERAMIC CAP. FZ Z 0.1μF/50V	CHD1JZ3FZ104	1	1	1
C615	ELECTROLYTIC CAP. 100μF/6.3V H7	CE0KMAVSL101	1	1	1

Ref. No.	Description	Part No.	A	B	C
C631	CHIP CERAMIC CAP. F Z 0.1μF/50V or	CHD1JZ30F104	1	1	1
	CHIP CERAMIC CAP. F Z 0.1μF/25V or	CHD1EZ30F104	1	1	1
	CHIP CERAMIC CAP. FZ Z 0.1μF/50V	CHD1JZ3FZ104	1	1	1
C632	ELECTROLYTIC CAP. 1μF/50V M H7 NP	CP1JMAVSB1R0	1	1	1
C633	ELECTROLYTIC CAP. 1μF/50V M H7	CE1JMAVSL1R0	1	1	1
C634	CHIP CERAMIC CAP. B K 0.01μF/50V	CHD1JK30B103	1	1	1
C635	SEMICONDUCTOR CAP. SR K 0.018μF/25V	CDA1EKS0X183	1	1	1
C636	ELECTROLYTIC CAP. 4.7μF/25V M H7	CE1EMAVSL4R7	1	1	1
C637	ELECTROLYTIC CAP. 47μF/6.3V M H7	CE0KMAVSL470	1	1	1
C701	ELECTROLYTIC CAP. 100μF/6.3V H7	CE0KMAVSL101	1	1	1
C703	CHIP CERAMIC CAP. B K 1000pF/50V	CHD1JK30B102	1	1	1
C706	CHIP CERAMIC CAP. B K 0.047μF/50V or	CHD1JK30B473	1	1	1
	CHIP CERAMIC CAP. B K 0.047μF/25V	CHD1EK30B473	1	1	1
C708	ELECTROLYTIC CAP. 10μF/16V M H7	CE1CMAVSL100	1	1	1
C709	CHIP CERAMIC CAP. B K 0.01μF/50V	CHD1JK30B103	1	1	1
C711	CHIP CERAMIC CAP. B K 0.01μF/50V	CHD1JK30B103	1	1	1
C712	CHIP CERAMIC CAP. F Z 0.1μF/50V or	CHD1JZ30F104	1	1	1
	CHIP CERAMIC CAP. F Z 0.1μF/25V or	CHD1EZ30F104	1	1	1
	CHIP CERAMIC CAP. FZ Z 0.1μF/50V	CHD1JZ3FZ104	1	1	1
C714	CHIP CERAMIC CAP. B K 1500pF/50V	CHD1JK30B152	1	1	1
C715	CHIP CERAMIC CAP. F Z 0.22μF/16V or	CHD1CZ30F224	1	1	1
	CHIP CERAMIC CAP. FZ Z 0.22μF/25V	CHD1EZ3FZ224	1	1	1
C716	CHIP CERAMIC CAP. F Z 0.22μF/16V or	CHD1CZ30F224	1	1	1
	CHIP CERAMIC CAP. FZ Z 0.22μF/25V	CHD1EZ3FZ224	1	1	1
C751	CHIP CERAMIC CAP. B K 0.01μF/50V	CHD1JK30B103	1	1	1
C752	ELECTROLYTIC CAP. 47μF/10V M H7	CE1AMAVSL470	1	1	1
C753	ELECTROLYTIC CAP. 4.7μF/50V M H7	CE1JMASSL4R7	1	1	1
C754	ELECTROLYTIC CAP. 4.7μF/50V M H7	CE1JMASSL4R7	1	1	1
C755	CHIP CERAMIC CAP. B K 2200pF/50V	CHD1JK30B222	1	1	1
C756	CHIP CERAMIC CAP. B K 2200pF/50V	CHD1JK30B222	1	1	1
C757	ELECTROLYTIC CAP. 47μF/6.3V M or	CE0KMAVSL470	1	1	1
	ELECTROLYTIC CAP. 47μF/6.3V M	CE0KMAVSL470	1	1	1
C758	CERAMIC CAP.(AX) Y M 0.01μF/16V	CCA1CMT0Y103	1	1	1
C775	CHIP CERAMIC CAP. F Z 0.1μF/50V or	CHD1JZ30F104	1	1	1
	CHIP CERAMIC CAP. F Z 0.1μF/25V or	CHD1EZ30F104	1	1	1
	CHIP CERAMIC CAP. FZ Z 0.1μF/50V	CHD1JZ3FZ104	1	1	1
C776	CHIP CERAMIC CAP. CH J 180pF/50V or	CHD1JJ3CH181	1	1	1
	CHIP CERAMIC CAP. CG J 180pF/50V	CHD1JJ3CG181	1	1	1
C777	CHIP CERAMIC CAP. CH J 180pF/50V or	CHD1JJ3CH181	1	1	1
	CHIP CERAMIC CAP. CG J 180pF/50V	CHD1JJ3CG181	1	1	1
C778	CHIP CERAMIC CAP. B K 1000pF/50V	CHD1JK30B102	1	1	1
C779	ELECTROLYTIC CAP. 1μF/50V M H7	CE1JMAVSL1R0	1	1	1
C780	ELECTROLYTIC CAP. 10μF/16V M H7	CE1CMAVSL100	1	1	1
C781	CHIP CERAMIC CAP. B K 1000pF/50V	CHD1JK30B102	1	1	1
C782	ELECTROLYTIC CAP. 1μF/50V M H7	CE1JMAVSL1R0	1	1	1
C783	CHIP CERAMIC CAP. CH J 470pF/50V or	CHD1JJ3CH471	1	1	1
	CHIP CERAMIC CAP. CG J 470pF/50V	CHD1JJ3CG471	1	1	1
C784	CHIP CERAMIC CAP. CH J 470pF/50V or	CHD1JJ3CH471	1	1	1
	CHIP CERAMIC CAP. CG J 470pF/50V	CHD1JJ3CG471	1	1	1
C1056	CHIP CERAMIC CAP. B K 1000pF/50V	CHD1JK30B102	1	1	1
C1061	ELECTROLYTIC CAP. 2200μF/6.3V M	CE0KMAVSL222	1	1	1
C1201	ELECTROLYTIC CAP. 10μF/16V M H7	CE1CMAVSL100	1	1	1
C1202	ELECTROLYTIC CAP. 10μF/16V M H7	CE1CMAVSL100	1	1	1
C1205	CHIP CERAMIC CAP. CH J 220pF/50V or	CHD1JJ3CH221	1	1	1
	CHIP CERAMIC CAP. CG J 220pF/50V	CHD1JJ3CG221	1	1	1
C1206	CHIP CERAMIC CAP. CH J 220pF/50V or	CHD1JJ3CH221	1	1	1
	CHIP CERAMIC CAP. CG J 220pF/50V	CHD1JJ3CG221	1	1	1
C1207	CHIP CERAMIC CAP. CH J 47pF/50V or	CHD1JJ3CH470	1	1	1
	CHIP CERAMIC CAP. CG J 47pF/50V	CHD1JJ3CG470	1	1	1
C1208	CHIP CERAMIC CAP. CH J 47pF/50V or	CHD1JJ3CH470	1	1	1
	CHIP CERAMIC CAP. CG J 47pF/50V	CHD1JJ3CG470	1	1	1

Ref. No.	Description	Part No.	A	B	C
C1221	ELECTROLYTIC CAP. 10μF/16V M H7	CE1CMAVSL100	1	1	1
C1222	ELECTROLYTIC CAP. 10μF/16V M or	CE1CMASDL100	1	1	1
	ELECTROLYTIC CAP. 10μF/16V M	CE1CMAVSL100	1	1	1
C1223	CHIP CERAMIC CAP. CH J 1000pF/50V or	CHD1JJ3CH102	1	1	1
	CHIP CERAMIC CAP. CH J 1000pF/25V or	CHD1EJ3CH102	1	1	1
	CHIP CERAMIC CAP. CG J 1000pF/50V	CHD1JJ3CG102	1	1	1
C1224	CHIP CERAMIC CAP. B K 1000pF/50V	CHD1JK30B102	1	1	1
C1245	CHIP CERAMIC CAP. F Z 0.1μF/50V or	CHD1JZ30F104	1	1	1
	CHIP CERAMIC CAP. F Z 0.1μF/25V or	CHD1EZ30F104	1	1	1
	CHIP CERAMIC CAP. FZ Z 0.1μF/50V	CHD1JZ3FZ104	1	1	1
C1246	CHIP CERAMIC CAP. F Z 0.1μF/50V or	CHD1JZ30F104	1	1	1
	CHIP CERAMIC CAP. F Z 0.1μF/25V or	CHD1EZ30F104	1	1	1
	CHIP CERAMIC CAP. FZ Z 0.1μF/50V	CHD1JZ3FZ104	1	1	1
C1247	ELECTROLYTIC CAP. 470μF/16V M or	CE1CMASDL471	1	1	1
	ELECTROLYTIC CAP. 470μF/16V M	CE1CMAVSL471	1	1	1
C1249	ELECTROLYTIC CAP. 47μF/16V M H7	CE1CMAVSL470	1	1	1
C1351	ELECTROLYTIC CAP. 22μF/6.3V M H7	CE0KMAVSL220	1	1	1
C1352	CHIP CERAMIC CAP. F Z 0.1μF/50V or	CHD1JZ30F104	1	1	1
	CHIP CERAMIC CAP. F Z 0.1μF/25V or	CHD1EZ30F104	1	1	1
	CHIP CERAMIC CAP. FZ Z 0.1μF/50V	CHD1JZ3FZ104	1	1	1
C1353	CHIP CERAMIC CAP. F Z 0.1μF/50V or	CHD1JZ30F104	1	1	1
	CHIP CERAMIC CAP. F Z 0.1μF/25V or	CHD1EZ30F104	1	1	1
	CHIP CERAMIC CAP. FZ Z 0.1μF/50V	CHD1JZ3FZ104	1	1	1
C1354	CHIP CERAMIC CAP. CH J 100pF/50V or	CHD1JJ3CH101	1	1	1
	CHIP CERAMIC CAP. CG J 100pF/50V	CHD1JJ3CG101	1	1	1
C1355	CHIP CERAMIC CAP. F Z 1μF/10V	CHD1AZ30F105	1	1	1
C1359	CHIP CERAMIC CAP. CH D 9pF/50V	CHD1JD3CH9R0	1	1	1
C1393	ELECTROLYTIC CAP. 470μF/6.3V M or	CE0KMAVSL471	1	1	1
	ELECTROLYTIC CAP. 470μF/6.3V M	CE0KMAVSL471	1	1	1
C1394	ELECTROLYTIC CAP. 47μF/6.3V M H7	CE0KMAVSL470	1	1	1
C1402	PCB JUMPER D0.6-P5.0	JW5.0T	1	1	1
C1421	CHIP CERAMIC CAP. B K 0.01μF/50V	CHD1JK30B103	1	1	1
C1422	CHIP CERAMIC CAP. F Z 0.1μF/50V or	CHD1JZ30F104	1	1	1
	CHIP CERAMIC CAP. F Z 0.1μF/25V or	CHD1EZ30F104	1	1	1
	CHIP CERAMIC CAP. FZ Z 0.1μF/50V	CHD1JZ3FZ104	1	1	1
C1441	CHIP CERAMIC CAP. B K 0.33μF/10V	CHD1AK30B334	1	1	1
C1442	ELECTROLYTIC CAP. 470μF/6.3V M or	CE0KMAVSL471	1	1	1
	ELECTROLYTIC CAP. 470μF/6.3V M	CE0KMAVSL471	1	1	1
C1445	ELECTROLYTIC CAP. 470μF/6.3V M or	CE0KMAVSL471	1	1	1
	ELECTROLYTIC CAP. 470μF/6.3V M	CE0KMAVSL471	1	1	1
C1461	ELECTROLYTIC CAP. 1μF/50V M or	CE1JMASDL1R0	1	1	1
	ELECTROLYTIC CAP. 1μF/50V M	CE1JMASDL1R0	1	1	1
C1462	ELECTROLYTIC CAP. 470μF/6.3V M or	CE0KMAVSL471	1	1	1
	ELECTROLYTIC CAP. 470μF/6.3V M	CE0KMAVSL471	1	1	1
C1471	ELECTROLYTIC CAP. 1μF/50V M or	CE1JMASDL1R0	1	1	1
	ELECTROLYTIC CAP. 1μF/50V M	CE1JMASDL1R0	1	1	1
C1481	ELECTROLYTIC CAP. 1μF/50V M or	CE1JMASDL1R0	1	1	1
	ELECTROLYTIC CAP. 1μF/50V M	CE1JMASDL1R0	1	1	1
C1482	ELECTROLYTIC CAP. 470μF/6.3V M or	CE0KMAVSL471	1	1	1
	ELECTROLYTIC CAP. 470μF/6.3V M	CE0KMAVSL471	1	1	1
C1486	ELECTROLYTIC CAP. 1μF/50V M H7	CE1JMAVSL1R0	1	1	1
C1487	CHIP CERAMIC CAP. B K 1000pF/50V	CHD1JK30B102	1	1	1
C1523	CHIP CERAMIC CAP. F Z 0.1μF/50V or	CHD1JZ30F104	1	1	1
	CHIP CERAMIC CAP. F Z 0.1μF/25V or	CHD1EZ30F104	1	1	1
	CHIP CERAMIC CAP. FZ Z 0.1μF/50V	CHD1JZ3FZ104	1	1	1
C1531	CHIP CERAMIC CAP. B K 0.01μF/50V	CHD1JK30B103	1	1	1
C1532	ELECTROLYTIC CAP. 22μF/6.3V M H7	CE0KMAVSL220	1	1	1
C2004	ELECTROLYTIC CAP. 100μF/6.3V H7	CE0KMAVSL101	1	1	1
C2008	CHIP CERAMIC CAP. F Z 0.1μF/50V or	CHD1JZ30F104	1	1	1
	CHIP CERAMIC CAP. F Z 0.1μF/25V or	CHD1EZ30F104	1	1	1
	CHIP CERAMIC CAP. FZ Z 0.1μF/50V	CHD1JZ3FZ104	1	1	1

Ref. No.	Description	Part No.	A	B	C
C2009	CHIP CERAMIC CAP. F Z 0.1µF/50V or	CHD1JZ30F104	1	1	1
	CHIP CERAMIC CAP. F Z 0.1µF/25V or	CHD1EZ30F104	1	1	1
	CHIP CERAMIC CAP. FZ Z 0.1µF/50V	CHD1JZ3FZ104	1	1	1
C2012	CHIP CERAMIC CAP. F Z 0.1µF/50V or	CHD1JZ30F104	1	1	1
	CHIP CERAMIC CAP. F Z 0.1µF/25V or	CHD1EZ30F104	1	1	1
	CHIP CERAMIC CAP. FZ Z 0.1µF/50V	CHD1JZ3FZ104	1	1	1
CONNECTORS					
CN050	CONNECTOR BASE, 19P TUC-P19P-B1	J3TUA19TG001	1	1	1
CN503	FE CONNECTOR, TOP 6P 06FE-BT-VK-N	JCFEJ06JG001	1	1	1
CN701	AFV PCB ASSEMBLY CP2500/9311	H9311AFV	1	1	
CN701	AFV PCB ASSEMBLY CP2500/9307	H9307AFV			1
CN1051	FMN CONNECTOR, SIDE 22P 22FMN-STRK	JCFNG22JG004	1	1	1
CN1601	FMN CONNECTOR, SIDE 18P 18FMN-STK	JCFNG18JG003	1	1	1
DIODES					
D051	RECTIFIER DIODE 1N4005	NDQZ001N4005	1	1	1
D052	RECTIFIER DIODE 1N4005	NDQZ001N4005	1	1	1
D053	RECTIFIER DIODE 1N4005	NDQZ001N4005	1	1	1
D054	ZENER DIODE DZ-10BSBT265 or	NDTB00DZ10BS	1	1	1
	ZENER DIODE MTZJT-7710B	QDTB00MTZJ10	1	1	1
D056	ZENER DIODE DZ-33BSDT265 or	NDTD00DZ33BS	1	1	1
	ZENER DIODE MTZJT-7733D	QDTD00MTZJ33	1	1	1
D057	RECTIFIER DIODE 1N4005	NDQZ001N4005	1	1	1
D101	ZENER DIODE DZ-11BSAT265 or	NDTA00DZ11BS	1	1	1
	ZENER DIODE MTZJT-7711A	QDTA00MTZJ11	1	1	1
D102	ZENER DIODE DZ-11BSAT265 or	NDTA00DZ11BS	1	1	1
	ZENER DIODE MTZJT-7711A	QDTA00MTZJ11	1	1	1
D103	ZENER DIODE DZ-11BSAT265 or	NDTA00DZ11BS	1	1	1
	ZENER DIODE MTZJT-7711A	QDTA00MTZJ11	1	1	1
D104	ZENER DIODE DZ-11BSAT265 or	NDTA00DZ11BS	1	1	1
	ZENER DIODE MTZJT-7711A	QDTA00MTZJ11	1	1	1
D105	ZENER DIODE DZ-11BSAT265 or	NDTA00DZ11BS	1	1	1
	ZENER DIODE MTZJT-7711A	QDTA00MTZJ11	1	1	1
D106	ZENER DIODE DZ-11BSAT265 or	NDTA00DZ11BS	1	1	1
	ZENER DIODE MTZJT-7711A	QDTA00MTZJ11	1	1	1
D107	ZENER DIODE DZ-11BSAT265 or	NDTA00DZ11BS	1	1	1
	ZENER DIODE MTZJT-7711A	QDTA00MTZJ11	1	1	1
D108	ZENER DIODE DZ-11BSAT265 or	NDTA00DZ11BS	1	1	1
	ZENER DIODE MTZJT-7711A	QDTA00MTZJ11	1	1	1
D109	ZENER DIODE DZ-11BSAT265 or	NDTA00DZ11BS	1	1	1
	ZENER DIODE MTZJT-7711A	QDTA00MTZJ11	1	1	1
D110	ZENER DIODE DZ-11BSAT265 or	NDTA00DZ11BS	1	1	1
	ZENER DIODE MTZJT-7711A	QDTA00MTZJ11	1	1	1
D115	ZENER DIODE DZ-11BSAT265 or	NDTA00DZ11BS	1	1	1
	ZENER DIODE MTZJT-7711A	QDTA00MTZJ11	1	1	1
D118	ZENER DIODE DZ-11BSAT265 or	NDTA00DZ11BS	1	1	1
	ZENER DIODE MTZJT-7711A	QDTA00MTZJ11	1	1	1
D119	ZENER DIODE DZ-11BSAT265 or	NDTA00DZ11BS	1	1	1
	ZENER DIODE MTZJT-7711A	QDTA00MTZJ11	1	1	1
D121	ZENER DIODE DZ-11BSAT265 or	NDTA00DZ11BS	1	1	1
	ZENER DIODE MTZJT-7711A	QDTA00MTZJ11	1	1	1
D301	SWITCHING DIODE 1N4148M or	NDTZ01N4148M	1	1	1
	SWITCHING DIODE 1SS133(T-77)	QDTZ001SS133	1	1	1
D370	SWITCHING DIODE 1N4148M or	NDTZ01N4148M			1
	SWITCHING DIODE 1SS133(T-77)	QDTZ001SS133			1
D510	SWITCHING DIODE 1N4148M or	NDTZ01N4148M	1	1	1
	SWITCHING DIODE 1SS133(T-77)	QDTZ001SS133	1	1	1
D511	ZENER DIODE DZ-7.5BSAT265 or	NDTA00DZ7R5BS	1	1	1
	ZENER DIODE MTZJT-777.5A	QDTA00MTZJ7R5	1	1	1
D512	SWITCHING DIODE 1N4148M or	NDTZ01N4148M	1	1	1
	SWITCHING DIODE 1SS133(T-77)	QDTZ001SS133	1	1	1

Ref. No.	Description	Part No.	A	B	C
D555	LED MIE-534A2 or	NPZZM1E534A2	1	1	1
	LED SIR-563ST3F P or	QPQPS1R563ST	1	1	1
	LED SIR-563ST3F Q	QPQQS1R563ST	1	1	1
D611	SWITCHING DIODE 1N4148M or	NDTZ01N4148M	1	1	1
	SWITCHING DIODE 1SS133(T-77)	QDTZ001SS133	1	1	1
D612	SWITCHING DIODE 1N4148M or	NDTZ01N4148M	1	1	1
	SWITCHING DIODE 1SS133(T-77)	QDTZ001SS133	1	1	1
D613	SWITCHING DIODE 1N4148M or	NDTZ01N4148M	1	1	1
	SWITCHING DIODE 1SS133(T-77)	QDTZ001SS133	1	1	1
D701	ZENER DIODE DZ-33BSDT265 or	NDTD00DZ33BS	1	1	1
	ZENER DIODE MTZJT-7733D	QDTD00MTZJ33	1	1	1
D751	ZENER DIODE DZ-8.2BSAT265 or	NDTA00DZ8R2BS	1	1	1
	ZENER DIODE MTZJT-778.2A	QDTA00MTZJ8R2	1	1	1
D1052	SCHOTTKY BARRIER DIODE SB140 or	NDQZ000SB140	1	1	1
	SCHOTTKY BARRIER DIODE ERB81-004	AERB81004***	1	1	1
D1053	RECTIFIER DIODE 1N4005	NDQZ001N4005	1	1	1
D1054	RECTIFIER DIODE 1N4005	NDQZ001N4005	1	1	1
D1055	RECTIFIER DIODE 1N4005	NDQZ001N4005	1	1	1
D1056	PCB JUMPER D0.6-P10.0	JW10.0T	1	1	1
D1057	RECTIFIER DIODE 1N4005	NDQZ001N4005	1	1	1
D1061	SWITCHING DIODE 1N4148M or	NDTZ01N4148M	1	1	1
	SWITCHING DIODE 1SS133(T-77)	QDTZ001SS133	1	1	1
D1062	SWITCHING DIODE 1N4148M or	NDTZ01N4148M	1	1	1
	SWITCHING DIODE 1SS133(T-77)	QDTZ001SS133	1	1	1
D1063	SWITCHING DIODE 1N4148M or	NDTZ01N4148M	1	1	1
	SWITCHING DIODE 1SS133(T-77)	QDTZ001SS133	1	1	1
D1301	ZENER DIODE DZ-5.6BSBT265 or	NDTB00DZ5R6BS	1	1	1
	ZENER DIODE MTZJT-775.6B	QDTB00MTZJ5R6	1	1	1
D1401	ZENER DIODE DZ-11BSAT265 or	NDTA00DZ11BS	1	1	1
	ZENER DIODE MTZJT-7711A	QDTA00MTZJ11	1	1	1
D1402	ZENER DIODE DZ-11BSAT265 or	NDTA00DZ11BS	1	1	1
	ZENER DIODE MTZJT-7711A	QDTA00MTZJ11	1	1	1
D1501	PCB JUMPER D0.6-P5.0	JW5.0T	1	1	1
D2009	SWITCHING DIODE 1N4148M or	NDTZ01N4148M	1	1	1
	SWITCHING DIODE 1SS133(T-77)	QDTZ001SS133	1	1	1
D2010	SWITCHING DIODE 1N4148M or	NDTZ01N4148M	1	1	1
	SWITCHING DIODE 1SS133(T-77)	QDTZ001SS133	1	1	1
	LED EXCLUSIVE(A)		1	1	1
D501	LED(RED) 204HD/E	NPQZ00204HDE	1	1	1
D504	LED(RED) 204HD/E	NPQZ00204HDE	1	1	1
	LED EXCLUSIVE(B)		1	1	1
D501	LED(RED) LTL-4211N	NPQZLTL4211N	1	1	1
D504	LED(RED) LTL-4211N	NPQZLTL4211N	1	1	1
ICS					
IC301	IC:Y/C/A LA71750AM-MTB	QSZBA0RSY020	1	1	1
IC370	IC:SECAM LA70100M-TRM	QSZBA0TSY019			1
IC451	IC:HIFI LA72648M	QSZBA0RSY033	1	1	1
IC501	MICROCONTROLLER 16BIT M37762MFA-AC6GP	QSZAA0RMB175	1	1	1
IC502	IC:EEPROM CAT24WC02Jl or	NSZBA0SBG001	1	1	1
	IC:MEMORY BR24C02F-W	QSMBA0SRM003	1	1	1
IC611	V.F.D. 7-BT-292GN	TVFD150FT010	1	1	1
IC612	FL DRIVER IC PT6313-S-TP	NSZBA0TG2006	1	1	1
IC631	IC:VPS/PDC SLICER LC74793JM-TRM	QSZBA0TSY018	1	1	1
IC751	IC:SWITCH TC4053BF(N) or	QSMBA0STS002	1	1	1
	IC:SWITCH BU4053BCF-E2	QSMBA0TRM010	1	1	1
IC775	IC:COMPARATOR KIA339F EL or	NSZBA0TJY003	1	1	1
	IC:COMPARATOR LM339DT	NSZBA0TSS094	1	1	1
IC1201	IC:OP AMP KIA4558P or	NSZBA0SJY004	1	1	1
	IC:OP AMP NJM4558D	QSZBA0SJR006	1	1	1

Ref. No.	Description	Part No.	A	B	C
IC1204	FIBER OPTIC TRANS.MODULE OC-0805T*002 or	JWHHA00JD002	1	1	1
	FIBER OPTIC TRANS.MODULE GP1FA512TZV	JWHHA00SH003	1	1	1
IC1402	DRIVER FOR DVD(6CH) MM1567AJBE	QSZBA0TMM082	1	1	1
IC1404	IC:SWITCH TC4053BF(N) or	QSMBA0STS002	1	1	1
	IC:SWITCH BU4053BCF-E2	QSMDA0TRM010	1	1	1
IC2002	P-ON MICROCOMPUTER M34506M4-509FP	QSZAB0SMB177	1	1	1
COILS					
L052	CHOKE COIL 47μH-K or	LLBD00PKV007	1	1	1
	CHOKE COIL 47μH-K	LLBD00PKV005	1	1	1
L053	INDUCTOR 100μH-J-5FT	LLARJCSJU101	1	1	1
L101	BEAD CORE B16 RH 3.5X10X1.3	XL03010XM001	1	1	1
L251	INDUCTOR 5.6μH-K-26T	LLAXKATTU5R6	1	1	1
L302	INDUCTOR 100μH-K-26T	LLAXKATTU101	1	1	1
L370	PCB JUMPER D0.6-P5.0	JW5.0T			1
L401	CHOKE COIL 47μH-K or	LLBD00PKV007	1	1	1
	CHOKE COIL 47μH-K	LLBD00PKV005	1	1	1
L402	INDUCTOR 47μH-K-5FT	LLARKBSTU470	1	1	1
L451	INDUCTOR 47μH-K-5FT	LLARKBSTU470	1	1	1
L452	PCB JUMPER D0.6-P5.0	JW5.0T	1	1	1
L501	INDUCTOR 100μH-K-26T	LLAXKATTU101	1	1	1
L502	PCB JUMPER D0.6-P5.0	JW5.0T	1	1	1
L503	INDUCTOR 1.8μH-K-26T	LLAXKATTU1R8	1	1	1
L701	INDUCTOR 15μH-K-26T	LLAXKATTU150	1	1	1
L702	PCB JUMPER D0.6-P5.0	JW5.0T	1	1	1
L703	CHOKE COIL 47μH-K or	LLBD00PKV007	1	1	1
	CHOKE COIL 47μH-K	LLBD00PKV005	1	1	1
L704	INDUCTOR 10μH-K-26T	LLAXKATTU100	1	1	1
L1052	PCB JUMPER D0.6-P5.5	JW5.5T	1	1	1
L1251	INDUCTOR 0.47μH-K-26T	LLAXKATTUR47	1	1	1
L1351	INDUCTOR 100μH-K-26T	LLAXKATTU101	1	1	1
L1521	CHOKE COIL 47μH-K or	LLBD00PKV007	1	1	1
	CHOKE COIL 47μH-K	LLBD00PKV005	1	1	1
L2001	INDUCTOR 100μH-K-26T	LLAXKATTU101	1	1	1
L2006	PCB JUMPER D0.6-P5.0	JW5.0T	1	1	1
TRANSISTORS					
Q051	TRANSISTOR KTA1281(Y) or	NQSY0KTA1281	1	1	1
	TRANSISTOR 2SA1020(Y)	QGSY02SA1020	1	1	1
Q052	RES. BUILT-IN TRANSISTOR KRC103M or	NQSZ0KRC103M	1	1	1
	RES. BUILT-IN TRANSISTOR BA1F4M-T	QGSZ00BA1F4M	1	1	1
Q053	RES. BUILT-IN TRANSISTOR KRA104M or	NQSZ0KRA104M	1	1	1
	RES. BUILT-IN TRANSISTOR BN1L4M-T	QGSZ00BN1L4M	1	1	1
Q054	RES. BUILT-IN TRANSISTOR KRC103M or	NQSZ0KRC103M	1	1	1
	RES. BUILT-IN TRANSISTOR BA1F4M-T	QGSZ00BA1F4M	1	1	1
Q055	TRANSISTOR KTC3199(Y) or	NQSY0KTC3199	1	1	1
	TRANSISTOR KTC3199(GR) or	NQS10KTC3199	1	1	1
	TRANSISTOR 2SC2785(J) or	QGSJ02SC2785	1	1	1
	TRANSISTOR 2SC2785(H) or	QQSH02SC2785	1	1	1
	TRANSISTOR 2SC2785(F) or	QGSF02SC2785	1	1	1
	TRANSISTOR 2SC1815-Y(TPE2) or	QGSY02SC1815	1	1	1
	TRANSISTOR 2SC1815-GR(TPE2)	QGS102SC1815	1	1	1
Q056	TRANSISTOR KTC3205(Y) or	NQSY0KTC3205	1	1	1
	TRANSISTOR 2SC3266-Y(TPE2)	QGSY02SC3266	1	1	1
Q057	RES. BUILT-IN TRANSISTOR KRA103M or	NQSZ0KRA103M	1	1	1
	RES. BUILT-IN TRANSISTOR BN1F4M-T	QGSZ00BN1F4M	1	1	1
Q058	TRANSISTOR KTA1266(GR) or	NQS40KTA1266	1	1	1
	TRANSISTOR 2SA1015-GR(TPE2)	QGS102SA1015	1	1	1
Q059	RES. BUILT-IN TRANSISTOR KRC103M or	NQSZ0KRC103M	1	1	1
	RES. BUILT-IN TRANSISTOR BA1F4M-T	QGSZ00BA1F4M	1	1	1
Q104	TRANSISTOR KTA1266(GR) or	NQS40KTA1266	1	1	1

Ref. No.	Description	Part No.	A	B	C
	TRANSISTOR 2SA1015-GR(TPE2)	QGS102SA1015	1	1	1
Q105	TRANSISTOR KTC3199(Y) or	NQSY0KTC3199	1	1	1
	TRANSISTOR KTC3199(GR) or	NQS10KTC3199	1	1	1
	TRANSISTOR 2SC2785(J) or	QGSJ02SC2785	1	1	1
	TRANSISTOR 2SC2785(H) or	QQSH02SC2785	1	1	1
	TRANSISTOR 2SC2785(F) or	QGSF02SC2785	1	1	1
	TRANSISTOR 2SC1815-Y(TPE2) or	QGSY02SC1815	1	1	1
	TRANSISTOR 2SC1815-GR(TPE2)	QGS102SC1815	1	1	1
Q107	TRANSISTOR KTC3199(Y) or	NQSY0KTC3199	1	1	1
	TRANSISTOR KTC3199(GR) or	NQS10KTC3199	1	1	1
	TRANSISTOR 2SC2785(J) or	QGSJ02SC2785	1	1	1
	TRANSISTOR 2SC2785(H) or	QQSH02SC2785	1	1	1
	TRANSISTOR 2SC2785(F) or	QGSF02SC2785	1	1	1
	TRANSISTOR 2SC1815-Y(TPE2) or	QGSY02SC1815	1	1	1
	TRANSISTOR 2SC1815-GR(TPE2)	QGS102SC1815	1	1	1
Q108	TRANSISTOR KTC3199(Y) or	NQSY0KTC3199	1	1	1
	TRANSISTOR KTC3199(GR) or	NQS10KTC3199	1	1	1
	TRANSISTOR 2SC2785(J) or	QGSJ02SC2785	1	1	1
	TRANSISTOR 2SC2785(H) or	QQSH02SC2785	1	1	1
	TRANSISTOR 2SC2785(F) or	QGSF02SC2785	1	1	1
	TRANSISTOR 2SC1815-Y(TPE2) or	QGSY02SC1815	1	1	1
	TRANSISTOR 2SC1815-GR(TPE2)	QGS102SC1815	1	1	1
Q301	CHIP TRANSISTOR KTA1504GR-RTK or	NQ140KTA1504	1	1	1
	CHIP TRANSISTOR KTA1504Y-RTK	NQ1Y0KTA1504	1	1	1
Q302	TRANSISTOR KTC3199(Y) or	NQSY0KTC3199	1	1	1
	TRANSISTOR KTC3199(GR) or	NQS10KTC3199	1	1	1
	TRANSISTOR 2SC2785(J) or	QGSJ02SC2785	1	1	1
	TRANSISTOR 2SC2785(H) or	QQSH02SC2785	1	1	1
	TRANSISTOR 2SC2785(F) or	QGSF02SC2785	1	1	1
	TRANSISTOR 2SC1815-Y(TPE2) or	QGSY02SC1815	1	1	1
	TRANSISTOR 2SC1815-GR(TPE2)	QGS102SC1815	1	1	1
Q401	CHIP TRANSISTOR FMG4A T148 or	QQZ200FMG4A	1	1	1
	CHIP TRANSISTOR RN1511(TE85R)	QQZ200RN1511	1	1	1
Q403	TRANSISTOR KTC3203(Y) or	NQSY0KTC3203	1	1	1
	TRANSISTOR 2SC2120-Y(TPE2)	QGSY02SC2120	1	1	1
Q404	TRANSISTOR KTA1266(GR) or	NQS40KTA1266	1	1	1
	TRANSISTOR 2SA1015-GR(TPE2)	QGS102SA1015	1	1	1
Q405	RES. BUILT-IN TRANSISTOR KRA103M or	NQSZ0KRA103M	1	1	1
	RES. BUILT-IN TRANSISTOR BN1F4M-T	QGSZ00BN1F4M	1	1	1
Q406	CHIP TRANSISTOR KTC3875Y-RTK	NQ1Y0KTC3875	1	1	1
Q451	CHIP TRANSISTOR KRC103S RTK or	NQ1Z0KRC103S	1	1	1
	CHIP TRANSISTOR FA1F4M-T1B	QK8Z00FA1F4M	1	1	1
Q502	TRANSISTOR KTC3199(Y) or	NQSY0KTC3199	1	1	1
	TRANSISTOR KTC3199(GR) or	NQS10KTC3199	1	1	1
	TRANSISTOR 2SC2785(J) or	QGSJ02SC2785	1	1	1
	TRANSISTOR 2SC2785(H) or	QQSH02SC2785	1	1	1
	TRANSISTOR 2SC2785(F) or	QGSF02SC2785	1	1	1
	TRANSISTOR 2SC1815-Y(TPE2) or	QGSY02SC1815	1	1	1
	TRANSISTOR 2SC1815-GR(TPE2)	QGS102SC1815	1	1	1
Q506	PHOTO TRANSISTOR PT204-6B-12 or	NPWZT2046B12	1	1	1
	PHOTO TRANSISTOR MID-32A22	NPWZM1D32A22	1	1	1
Q507	TRANSISTOR KTC3199(Y) or	NQSY0KTC3199	1	1	1
	TRANSISTOR KTC3199(GR) or	NQS10KTC3199	1	1	1
	TRANSISTOR 2SC2785(J) or	QGSJ02SC2785	1	1	1
	TRANSISTOR 2SC2785(H) or	QQSH02SC2785	1	1	1
	TRANSISTOR 2SC2785(F) or	QGSF02SC2785	1	1	1
	TRANSISTOR 2SC1815-Y(TPE2) or	QGSY02SC1815	1	1	1
	TRANSISTOR 2SC1815-GR(TPE2)	QGS102SC1815	1	1	1
Q508	TRANSISTOR KTC3199(Y) or	NQSY0KTC3199	1	1	1
	TRANSISTOR KTC3199(GR) or	NQS10KTC3199	1	1	1
	TRANSISTOR 2SC2785(J) or	QGSJ02SC2785	1	1	1

Ref. No.	Description	Part No.	A	B	C
	TRANSISTOR 2SC2785(H) or	QQSH02SC2785	1	1	1
	TRANSISTOR 2SC2785(F) or	QQSF02SC2785	1	1	1
	TRANSISTOR 2SC1815-Y(TPE2) or	QQSY02SC1815	1	1	1
	TRANSISTOR 2SC1815-GR(TPE2)	QQS102SC1815	1	1	1
Q509	TRANSISTOR KTC3199(Y) or	NQSY0KTC3199	1	1	1
	TRANSISTOR KTC3199(GR) or	NQS10KTC3199	1	1	1
	TRANSISTOR 2SC2785(J) or	QQSJ02SC2785	1	1	1
	TRANSISTOR 2SC2785(H) or	QQSH02SC2785	1	1	1
	TRANSISTOR 2SC2785(F) or	QQSF02SC2785	1	1	1
	TRANSISTOR 2SC1815-Y(TPE2) or	QQSY02SC1815	1	1	1
	TRANSISTOR 2SC1815-GR(TPE2)	QQS102SC1815	1	1	1
Q510	RES. BUILT-IN TRANSISTOR KRC103M or	NQSZ0KRC103M	1	1	1
	RES. BUILT-IN TRANSISTOR BA1F4M-T	QQSZ00BA1F4M	1	1	1
Q511	TRANSISTOR KTC3199(Y) or	NQSY0KTC3199	1	1	1
	TRANSISTOR KTC3199(GR) or	NQS10KTC3199	1	1	1
	TRANSISTOR 2SC2785(J) or	QQSJ02SC2785	1	1	1
	TRANSISTOR 2SC2785(H) or	QQSH02SC2785	1	1	1
	TRANSISTOR 2SC2785(F) or	QQSF02SC2785	1	1	1
	TRANSISTOR 2SC1815-Y(TPE2) or	QQSY02SC1815	1	1	1
	TRANSISTOR 2SC1815-GR(TPE2)	QQS102SC1815	1	1	1
Q513	RES. BUILT-IN TRANSISTOR KRC103M or	NQSZ0KRC103M	1	1	1
	RES. BUILT-IN TRANSISTOR BA1F4M-T	QQSZ00BA1F4M	1	1	1
Q514	TRANSISTOR KTC3199(BL) or	NQS50KTC3199	1	1	1
	TRANSISTOR 2SC2785(K) or	QQSK02SC2785	1	1	1
	TRANSISTOR 2SC1815-BL(TPE2)	QQS202SC1815	1	1	1
Q515	TRANSISTOR KTC3199(BL) or	NQS50KTC3199	1	1	1
	TRANSISTOR 2SC2785(K) or	QQSK02SC2785	1	1	1
	TRANSISTOR 2SC1815-BL(TPE2)	QQS202SC1815	1	1	1
Q611	RES. BUILT-IN TRANSISTOR KRC103M or	NQSZ0KRC103M	1	1	1
	RES. BUILT-IN TRANSISTOR BA1F4M-T	QQSZ00BA1F4M	1	1	1
Q752	RES. BUILT-IN TRANSISTOR KRC103M or	NQSZ0KRC103M	1	1	1
	RES. BUILT-IN TRANSISTOR BA1F4M-T	QQSZ00BA1F4M	1	1	1
Q775	CHIP TRANSISTOR KTC3875Y-RTK	NQ1Y0KTC3875	1	1	1
Q776	CHIP TRANSISTOR KTC3875Y-RTK	NQ1Y0KTC3875	1	1	1
Q1052	TRANSISTOR KTC3203(Y) or	NQSY0KTC3203	1	1	1
	TRANSISTOR 2SC2120-Y(TPE2)	QQSY02SC2120	1	1	1
Q1053	TRANSISTOR KTA1267(Y) or	NQSY0KTA1267	1	1	1
	TRANSISTOR KTA1267(GR) or	NQS10KTA1267	1	1	1
	TRANSISTOR 2SA1175(J) or	QQSJ02SA1175	1	1	1
	TRANSISTOR 2SA1175(H) or	QQSH02SA1175	1	1	1
	TRANSISTOR 2SA1175(F)	QQSF02SA1175	1	1	1
Q1054	TRANSISTOR KTC3199(Y) or	NQSY0KTC3199	1	1	1
	TRANSISTOR KTC3199(GR) or	NQS10KTC3199	1	1	1
	TRANSISTOR 2SC2785(J) or	QQSJ02SC2785	1	1	1
	TRANSISTOR 2SC2785(H) or	QQSH02SC2785	1	1	1
	TRANSISTOR 2SC2785(F) or	QQSF02SC2785	1	1	1
	TRANSISTOR 2SC1815-Y(TPE2) or	QQSY02SC1815	1	1	1
	TRANSISTOR 2SC1815-GR(TPE2)	QQS102SC1815	1	1	1
Q1055	TRANSISTOR KTC3203(Y) or	NQSY0KTC3203	1	1	1
	TRANSISTOR 2SC2120-Y(TPE2)	QQSY02SC2120	1	1	1
Q1056	TRANSISTOR KTC3198(Y) or	NQSY0KTC3198	1	1	1
	TRANSISTOR KTC3198(GR)	NQS40KTC3198	1	1	1
Q1057	RES. BUILT-IN TRANSISTOR KRA110M or	NQSZ0KRA110M	1	1	1
	RES. BUILT-IN TRANSISTOR BN1L3Z(P)	QQSP00BN1L3Z	1	1	1
Q1058	TRANSISTOR KTA1267(Y) or	NQSY0KTA1267	1	1	1
	TRANSISTOR KTA1267(GR) or	NQS10KTA1267	1	1	1
	TRANSISTOR 2SA1175(J) or	QQSJ02SA1175	1	1	1
	TRANSISTOR 2SA1175(H) or	QQSH02SA1175	1	1	1
	TRANSISTOR 2SA1175(F)	QQSF02SA1175	1	1	1
Q1059	TRANSISTOR KTC3199(Y) or	NQSY0KTC3199	1	1	1
	TRANSISTOR KTC3199(GR) or	NQS10KTC3199	1	1	1

Ref. No.	Description	Part No.	A	B	C
	TRANSISTOR 2SC2785(J) or	QQSJ02SC2785	1	1	1
	TRANSISTOR 2SC2785(H) or	QQSH02SC2785	1	1	1
	TRANSISTOR 2SC2785(F) or	QQSF02SC2785	1	1	1
	TRANSISTOR 2SC1815-Y(TPE2) or	QQSY02SC1815	1	1	1
	TRANSISTOR 2SC1815-GR(TPE2)	QQS102SC1815	1	1	1
Q1201	TRANSISTOR KTC3199(Y) or	NQSY0KTC3199	1	1	1
	TRANSISTOR KTC3199(GR) or	NQS10KTC3199	1	1	1
	TRANSISTOR 2SC2785(J) or	QQSJ02SC2785	1	1	1
	TRANSISTOR 2SC2785(H) or	QQSH02SC2785	1	1	1
	TRANSISTOR 2SC2785(F) or	QQSF02SC2785	1	1	1
	TRANSISTOR 2SC1815-Y(TPE2) or	QQSY02SC1815	1	1	1
	TRANSISTOR 2SC1815-GR(TPE2)	QQS102SC1815	1	1	1
Q1202	TRANSISTOR KTC3199(Y) or	NQSY0KTC3199	1	1	1
	TRANSISTOR KTC3199(GR) or	NQS10KTC3199	1	1	1
	TRANSISTOR 2SC2785(J) or	QQSJ02SC2785	1	1	1
	TRANSISTOR 2SC2785(H) or	QQSH02SC2785	1	1	1
	TRANSISTOR 2SC2785(F) or	QQSF02SC2785	1	1	1
	TRANSISTOR 2SC1815-Y(TPE2) or	QQSY02SC1815	1	1	1
	TRANSISTOR 2SC1815-GR(TPE2)	QQS102SC1815	1	1	1
Q1203	TRANSISTOR KTA1266(GR) or	NQS40KTA1266	1	1	1
	TRANSISTOR 2SA1015-GR(TPE2)	QQS102SA1015	1	1	1
Q1204	TRANSISTOR KTA1266(GR) or	NQS40KTA1266	1	1	1
	TRANSISTOR 2SA1015-GR(TPE2)	QQS102SA1015	1	1	1
Q1351	TRANSISTOR KTC3199(Y) or	NQSY0KTC3199	1	1	1
	TRANSISTOR KTC3199(GR) or	NQS10KTC3199	1	1	1
	TRANSISTOR 2SC2785(J) or	QQSJ02SC2785	1	1	1
	TRANSISTOR 2SC2785(H) or	QQSH02SC2785	1	1	1
	TRANSISTOR 2SC2785(F) or	QQSF02SC2785	1	1	1
	TRANSISTOR 2SC1815-Y(TPE2) or	QQSY02SC1815	1	1	1
	TRANSISTOR 2SC1815-GR(TPE2)	QQS102SC1815	1	1	1
Q1352	TRANSISTOR KTC3199(Y) or	NQSY0KTC3199	1	1	1
	TRANSISTOR KTC3199(GR) or	NQS10KTC3199	1	1	1
	TRANSISTOR 2SC2785(J) or	QQSJ02SC2785	1	1	1
	TRANSISTOR 2SC2785(H) or	QQSH02SC2785	1	1	1
	TRANSISTOR 2SC2785(F) or	QQSF02SC2785	1	1	1
	TRANSISTOR 2SC1815-Y(TPE2) or	QQSY02SC1815	1	1	1
	TRANSISTOR 2SC1815-GR(TPE2)	QQS102SC1815	1	1	1
Q1502	RES. BUILT-IN TRANSISTOR KRC103M or	NQSZ0KRC103M	1	1	1
	RES. BUILT-IN TRANSISTOR BA1F4M-T	QQSZ00BA1F4M	1	1	1
Q1505	RES. BUILT-IN TRANSISTOR KRC103M or	NQSZ0KRC103M	1	1	1
	RES. BUILT-IN TRANSISTOR BA1F4M-T	QQSZ00BA1F4M	1	1	1
Q1506	RES. BUILT-IN TRANSISTOR KRC103M or	NQSZ0KRC103M	1	1	1
	RES. BUILT-IN TRANSISTOR BA1F4M-T	QQSZ00BA1F4M	1	1	1
Q2007	TRANSISTOR KTC3199(Y) or	NQSY0KTC3199	1	1	1
	TRANSISTOR KTC3199(GR) or	NQS10KTC3199	1	1	1
	TRANSISTOR 2SC2785(J) or	QQSJ02SC2785	1	1	1
	TRANSISTOR 2SC2785(H) or	QQSH02SC2785	1	1	1
	TRANSISTOR 2SC2785(F) or	QQSF02SC2785	1	1	1
	TRANSISTOR 2SC1815-Y(TPE2) or	QQSY02SC1815	1	1	1
	TRANSISTOR 2SC1815-GR(TPE2)	QQS102SC1815	1	1	1
RESISTORS					
R051	CARBON RES. 1/6W J 47k Ω or	RCX6JATZ0473	1	1	1
	CARBON RES. 1/4W J 47k Ω	RCX4JATZ0473	1	1	1
R052	CARBON RES. 1/4W J 680 Ω	RCX4JATZ0681	1	1	1
R053	CARBON RES. 1/4W J 680 Ω	RCX4JATZ0681	1	1	1
R054	CHIP RES.(1608) 1/10W J 22k Ω	RRXAJR5Z0223	1	1	1
R055	CARBON RES. 1/4W J 10k Ω	RCX4JATZ0103	1	1	1
R058	CARBON RES. 1/4W J 1.2k Ω	RCX4JATZ0122	1	1	1
R059	CARBON RES. 1/4W J 1.2k Ω	RCX4JATZ0122	1	1	1
R060	CARBON RES. 1/4W J 1.2k Ω	RCX4JATZ0122	1	1	1
R061	CARBON RES. 1/6W J 1.8k Ω or	RCX6JATZ0182	1	1	1

Ref. No.	Description	Part No.	A	B	C
	CARBON RES. 1/4W J 1.8k Ω	RCX4JATZ0182	1	1	1
R062	CHIP RES.(1608) 1/10W J 180 Ω	RRXAJR5Z0181	1	1	1
R065	CHIP RES.(1608) 1/10W J 22k Ω	RRXAJR5Z0223	1	1	1
R070	CARBON RES. 1/4W J 820 Ω	RCX4JATZ0821	1	1	1
R072	CARBON RES. 1/6W J 1 Ω or	RCX6JATZ01R0	1	1	1
	CARBON RES. 1/4W J 1 Ω	RCX4JATZ01R0	1	1	1
R112	CHIP RES.(1608) 1/10W J 220 Ω	RRXAJR5Z0221	1	1	1
R113	CARBON RES. 1/4W J 680 Ω	RCX4JATZ0681	1	1	1
R116	CARBON RES. 1/4W J 1k Ω	RCX4JATZ0102	1	1	1
R119	CARBON RES. 1/4W J 68 Ω	RCX4JATZ0680	1	1	1
R121	CARBON RES. 1/6W J 15k Ω or	RCX6JATZ0153	1	1	1
	CARBON RES. 1/4W J 15k Ω	RCX4JATZ0153	1	1	1
R122	CHIP RES.(1608) 1/10W J 10k Ω	RRXAJR5Z0103	1	1	1
R124	CARBON RES. 1/6W J 4.7k Ω or	RCX6JATZ0472	1	1	1
	CARBON RES. 1/4W J 4.7k Ω	RCX4JATZ0472	1	1	1
R128	CHIP RES.(1608) 1/10W J 75 Ω	RRXAJR5Z0750	1	1	1
R129	CARBON RES. 1/4W J 820 Ω	RCX4JATZ0821	1	1	1
R130	CARBON RES. 1/6W J 4.7k Ω or	RCX6JATZ0472	1	1	1
	CARBON RES. 1/4W J 4.7k Ω	RCX4JATZ0472	1	1	1
R131	CARBON RES. 1/4W J 820 Ω	RCX4JATZ0821	1	1	1
R134	CHIP RES.(1608) 1/10W J 6.8k Ω	RRXAJR5Z0682	1	1	1
R136	CARBON RES. 1/4W J 75 Ω	RCX4JATZ0750	1	1	1
R137	CARBON RES. 1/4W J 75 Ω	RCX4JATZ0750	1	1	1
R138	CARBON RES. 1/4W J 75 Ω	RCX4JATZ0750	1	1	1
R140	CHIP RES.(1608) 1/10W J 22k Ω	RRXAJR5Z0223	1	1	1
R141	CHIP RES.(1608) 1/10W J 150 Ω	RRXAJR5Z0151	1	1	
R142	CHIP RES.(1608) 1/10W J 150 Ω	RRXAJR5Z0151	1	1	
R143	CHIP RES.(1608) 1/10W J 100k Ω	RRXAJR5Z0104	1	1	
R144	CHIP RES.(1608) 1/10W J 100k Ω	RRXAJR5Z0104	1	1	
R145	CHIP RES.(1608) 1/10W J 4.7k Ω	RRXAJR5Z0472	1	1	
R146	CHIP RES.(1608) 1/10W J 47k Ω	RRXAJR5Z0473	1	1	
R147	CHIP RES.(1608) 1/10W J 100k Ω	RRXAJR5Z0104	1	1	
R148	CHIP RES.(1608) 1/10W J 100k Ω	RRXAJR5Z0104	1	1	
R149	CHIP RES.(1608) 1/10W J 4.7k Ω	RRXAJR5Z0472	1	1	
R150	CHIP RES.(1608) 1/10W J 47k Ω	RRXAJR5Z0473	1	1	
R251	CHIP RES.(1608) 1/10W J 39k Ω	RRXAJR5Z0393	1	1	1
R252	CHIP RES.(1608) 1/10W J 2.2k Ω	RRXAJR5Z0222	1	1	1
R301	CHIP RES.(1608) 1/10W J 1.2k Ω	RRXAJR5Z0122	1	1	1
R303	CHIP RES.(1608) 1/10W J 5.6k Ω	RRXAJR5Z0562	1	1	1
R304	CHIP INDUCTOR MLG1608B18NJT000 or	LLACJB3TE18N	1	1	1
	CHIP INDUCTOR HK1608 18NJ-T	LLACJB3TU18N	1	1	1
R305	CHIP RES.(1608) 1/10W J 10k Ω	RRXAJR5Z0103	1	1	1
R306	CHIP RES.(1608) 1/10W J 5.6M Ω	RRXAJR5Z0565	1	1	1
R307	CARBON RES. 1/6W J 33 Ω or	RCX6JATZ0330	1	1	1
	CARBON RES. 1/4W J 33 Ω	RCX4JATZ0330	1	1	1
R308	CHIP RES.(1608) 1/10W J 3.9k Ω	RRXAJR5Z0392			1
R309	CHIP INDUCTOR MLG1608B18NJT000 or	LLACJB3TE18N	1	1	1
	CHIP INDUCTOR HK1608 18NJ-T	LLACJB3TU18N	1	1	1
R310	CARBON RES. 1/6W J 33 Ω or	RCX6JATZ0330	1	1	1
	CARBON RES. 1/4W J 33 Ω	RCX4JATZ0330	1	1	1
R311	CHIP RES.(1608) 1/10W J 75 Ω	RRXAJR5Z0750	1	1	1
R312	CHIP RES.(1608) 1/10W J 5.6k Ω	RRXAJR5Z0562			1
R314	CHIP RES.(1608) 1/10W J 3.9k Ω	RRXAJR5Z0392	1	1	1
R316	CHIP RES.(1608) 1/10W J 1.8k Ω	RRXAJR5Z0182	1	1	1
R317	CHIP RES.(1608) 1/10W J 220 Ω	RRXAJR5Z0221	1	1	1
R318	CARBON RES. 1/4W J 680 Ω	RCX4JATZ0681	1	1	1
R319	CHIP RES.(1608) 1/10W J 1k Ω	RRXAJR5Z0102	1	1	1
R320	CHIP RES.(1608) 1/10W J 47k Ω	RRXAJR5Z0473	1	1	1
R321	CHIP RES.(1608) 1/10W J 150 Ω	RRXAJR5Z0151	1	1	1
R322	CHIP RES.(1608) 1/10W J 10k Ω	RRXAJR5Z0103	1	1	1
R323	CHIP RES.(1608) 1/10W J 150 Ω	RRXAJR5Z0151	1	1	1

Ref. No.	Description	Part No.	A	B	C
R324	CHIP RES.(1608) 1/10W J 2.7k Ω	RRXAJR5Z0272	1	1	1
R325	CHIP RES.(1608) 1/10W J 1.2k Ω	RRXAJR5Z0122	1	1	1
R326	CHIP RES.(1608) 1/10W J 4.7k Ω	RRXAJR5Z0472	1	1	1
R327	CHIP RES.(1608) 1/10W J 6.8k Ω	RRXAJR5Z0682	1	1	1
R328	CHIP RES.(1608) 1/10W J 1k Ω	RRXAJR5Z0102	1	1	1
R330	CHIP RES.(1608) 1/10W J 2.2k Ω	RRXAJR5Z0222	1	1	1
R331	CHIP RES.(1608) 1/10W J 18k Ω	RRXAJR5Z0183	1	1	1
R332	CHIP RES.(1608) 1/10W J 10k Ω	RRXAJR5Z0103	1	1	1
R333	CHIP RES.(1608) 1/10W J 18k Ω	RRXAJR5Z0183	1	1	1
R334	CHIP RES.(1608) 1/10W J 10k Ω	RRXAJR5Z0103	1	1	1
R335	CHIP RES.(1608) 1/10W J 100 Ω	RRXAJR5Z0101	1	1	1
R336	CHIP RES.(1608) 1/10W J 4.7k Ω	RRXAJR5Z0472	1	1	1
R337	CHIP RES.(1608) 1/10W J 6.8k Ω	RRXAJR5Z0682	1	1	1
R339	CHIP RES.(1608) 1/10W 0 Ω	RRXAZR5Z0000	1	1	1
R370	CHIP RES.(1608) 1/10W J 2.7k Ω	RRXAJR5Z0272			1
R371	CARBON RES. 1/6W J 5.6k Ω or	RCX6JATZ0562			1
	CARBON RES. 1/4W J 5.6k Ω	RCX4JATZ0562			1
R372	CHIP RES.(1608) 1/10W J 3.9k Ω	RRXAJR5Z0392			1
R401	CARBON RES. 1/4W J 820 Ω	RCX4JATZ0821	1	1	1
R402	CARBON RES. 1/6W J 100 Ω or	RCX6JATZ0101	1	1	1
	CARBON RES. 1/4W J 100 Ω	RCX4JATZ0101	1	1	1
R404	CHIP RES.(1608) 1/10W 0 Ω	RRXAZR5Z0000	1	1	1
R405	CHIP RES.(1608) 1/10W J 47k Ω	RRXAJR5Z0473	1	1	1
R406	CHIP RES.(1608) 1/10W J 22k Ω	RRXAJR5Z0223	1	1	1
R407	CHIP RES.(1608) 1/10W J 5.6k Ω	RRXAJR5Z0562	1	1	1
R408	CHIP RES.(1608) 1/10W J 12k Ω	RRXAJR5Z0123	1	1	1
R409	CHIP RES.(1608) 1/10W J 5.6k Ω	RRXAJR5Z0562	1	1	1
R410	CHIP RES.(1608) 1/10W J 1k Ω	RRXAJR5Z0102	1	1	1
R411	CHIP RES.(1608) 1/10W J 27k Ω	RRXAJR5Z0273	1	1	1
R412	CHIP RES.(1608) 1/10W J 120 Ω	RRXAJR5Z0121	1	1	1
R413	CHIP RES.(1608) 1/10W J 330k Ω	RRXAJR5Z0334	1	1	1
R414	CHIP RES.(1608) 1/10W J 12k Ω	RRXAJR5Z0123	1	1	1
R415	CHIP RES.(1608) 1/10W J 1.8k Ω	RRXAJR5Z0182	1	1	1
R416	CHIP RES.(1608) 1/10W J 1.2k Ω	RRXAJR5Z0122	1	1	1
R417	CHIP RES.(1608) 1/10W J 2.2k Ω	RRXAJR5Z0222	1	1	1
R418	CHIP RES.(1608) 1/10W J 12k Ω	RRXAJR5Z0123	1	1	1
R419	CHIP RES.(1608) 1/10W J 10k Ω	RRXAJR5Z0103	1	1	1
R420	CHIP RES.(1608) 1/10W J 4.7k Ω	RRXAJR5Z0472	1	1	1
R421	CHIP RES.(1608) 1/10W J 4.7k Ω	RRXAJR5Z0472	1	1	1
R451	CHIP RES.(1608) 1/10W J 8.2k Ω	RRXAJR5Z0822	1	1	1
R452	CHIP RES.(1608) 1/10W J 39k Ω	RRXAJR5Z0393	1	1	1
R453	CHIP RES.(1608) 1/10W J 5.6k Ω	RRXAJR5Z0562	1	1	1
R454	CHIP RES.(1608) 1/10W J 39k Ω	RRXAJR5Z0393	1	1	1
R455	CHIP RES.(1608) 1/10W J 5.6k Ω	RRXAJR5Z0562	1	1	1
R456	CHIP RES.(1608) 1/10W J 39k Ω	RRXAJR5Z0393	1	1	1
R457	CHIP RES.(1608) 1/10W J 5.6k Ω	RRXAJR5Z0562	1	1	1
R458	CHIP RES.(1608) 1/10W 0 Ω	RRXAZR5Z0000	1	1	1
R459	CHIP RES.(1608) 1/10W J 39k Ω	RRXAJR5Z0393	1	1	1
R460	CHIP RES.(1608) 1/10W J 5.6k Ω	RRXAJR5Z0562	1	1	1
R461	CHIP RES.(1608) 1/10W J 47k Ω	RRXAJR5Z0473	1	1	1
R462	CHIP RES.(1608) 1/10W J 10k Ω	RRXAJR5Z0103	1	1	1
R463	CHIP RES.(1608) 1/10W J 470 Ω	RRXAJR5Z0471	1	1	1
R464	CHIP RES.(1608) 1/10W J 3.3k Ω	RRXAJR5Z0332	1	1	1
R465	CHIP RES.(1608) 1/10W J 8.2k Ω	RRXAJR5Z0822	1	1	1
R466	CHIP RES.(1608) 1/10W J 8.2k Ω	RRXAJR5Z0822	1	1	1
R467	CHIP RES.(1608) 1/10W J 5.6k Ω	RRXAJR5Z0562	1	1	1
R468	CHIP RES.(1608) 1/10W J 5.6k Ω	RRXAJR5Z0562	1	1	1
R469	CHIP RES.(1608) 1/10W J 39k Ω	RRXAJR5Z0393	1	1	1
R470	CHIP RES.(1608) 1/10W J 39k Ω	RRXAJR5Z0393	1	1	1
R471	CHIP RES.(1608) 1/10W J 39k Ω	RRXAJR5Z0393	1	1	1
R472	CHIP RES.(1608) 1/10W J 5.6k Ω	RRXAJR5Z0562	1	1	1

Ref. No.	Description	Part No.	A	B	C
R473	CHIP RES.(1608) 1/10W 0 Ω	RRXAZR5Z0000	1	1	1
R474	CHIP RES.(1608) 1/10W J 5.6k Ω	RRXAJR5Z0562	1	1	1
R475	CHIP RES.(1608) 1/10W J 47k Ω	RRXAJR5Z0473	1	1	1
R476	CHIP RES.(1608) 1/10W J 150 Ω	RRXAJR5Z0151	1	1	1
R477	CHIP RES.(1608) 1/10W J 150 Ω	RRXAJR5Z0151	1	1	1
R478	CHIP RES.(1608) 1/10W J 39k Ω	RRXAJR5Z0393	1	1	1
R479	CHIP RES.(1608) 1/10W J 33 Ω	RRXAJR5Z0330	1	1	1
R480	CHIP RES.(1608) 1/10W J 100 Ω	RRXAJR5Z0101	1	1	1
R481	CHIP RES.(1608) 1/10W J 33 Ω	RRXAJR5Z0330	1	1	1
R482	CARBON RES. 1/6W J 100 Ω or CARBON RES. 1/4W J 100 Ω	RCX6JATZ0101 RCX4JATZ0101	1	1	1
R483	CHIP RES.(1608) 1/10W J 22k Ω	RRXAJR5Z0223	1	1	1
R484	CHIP RES.(1608) 1/10W J 6.8k Ω	RRXAJR5Z0682	1	1	1
R501	CHIP RES.(1608) 1/10W J 1.8k Ω	RRXAJR5Z0182	1	1	1
R509	CHIP RES.(1608) 1/10W J 180 Ω	RRXAJR5Z0181	1	1	1
R511	CARBON RES. 1/6W G 3.6k Ω or CARBON RES. 1/4W G 3.6k Ω	RCX6GATZ0362 RCX4GATZ0362	1	1	1
R512	CHIP RES.(1608) 1/10W J 68k Ω	RRXAJR5Z0683	1	1	1
R513	CHIP RES.(1608) 1/10W J 33k Ω	RRXAJR5Z0333	1	1	1
R514	CARBON RES. 1/6W G 10k Ω or CARBON RES. 1/4W G 10k Ω	RCX6GATZ0103 RCX4GATZ0103	1	1	1
R516	CARBON RES. 1/6W G 470 Ω or CARBON RES. 1/4W G 470 Ω	RCX6GATZ0471 RCX4GATZ0471	1	1	1
R517	CARBON RES. 1/4W J 270 Ω	RCX4JATZ0271	1	1	1
R519	CARBON RES. 1/6W G 22k Ω or CARBON RES. 1/4W G 22k Ω	RCX6GATZ0223 RCX4GATZ0223	1	1	1
R520	CARBON RES. 1/6W J 330 Ω or CARBON RES. 1/4W J 330 Ω	RCX6JATZ0331 RCX4JATZ0331	1	1	1
R522	CHIP RES.(1608) 1/10W J 3.9k Ω	RRXAJR5Z0392	1	1	1
R523	CARBON RES. 1/6W G 1.5k Ω or CARBON RES. 1/4W G 1.5k Ω	RCX6GATZ0152 RCX4GATZ0152	1	1	1
R525	CARBON RES. 1/6W J 390k Ω or CARBON RES. 1/4W J 390k Ω	RCX6JATZ0394 RCX4JATZ0394	1	1	1
R526	CHIP RES.(1608) 1/10W J 390k Ω	RRXAJR5Z0394	1	1	1
R528	CARBON RES. 1/6W G 4.7k Ω or CARBON RES. 1/4W G 4.7k Ω	RCX6GATZ0472 RCX4GATZ0472	1	1	1
R529	CHIP RES.(1608) 1/10W J 3.9k Ω	RRXAJR5Z0392	1	1	1
R530	CARBON RES. 1/4W J 270 Ω	RCX4JATZ0271	1	1	1
R531	CHIP RES.(1608) 1/10W J 3.9k Ω	RRXAJR5Z0392	1	1	1
R532	CARBON RES. 1/4W J 270 Ω	RCX4JATZ0271	1	1	1
R533	CHIP RES.(1608) 1/10W J 3.9k Ω	RRXAJR5Z0392	1	1	1
R534	CARBON RES. 1/6W J 330 Ω or CARBON RES. 1/4W J 330 Ω	RCX6JATZ0331 RCX4JATZ0331	1	1	1
R535	CHIP RES.(1608) 1/10W J 3.9k Ω	RRXAJR5Z0392	1	1	1
R536	CHIP RES.(1608) 1/10W J 1.8k Ω	RRXAJR5Z0182	1	1	1
R537	CHIP RES.(1608) 1/10W J 680 Ω	RRXAJR5Z0681	1	1	1
R538	CHIP RES.(1608) 1/10W J 1.5k Ω	RRXAJR5Z0152	1	1	1
R539	CHIP RES.(1608) 1/10W J 10k Ω	RRXAJR5Z0103	1	1	1
R540	CHIP RES.(1608) 1/10W J 10k Ω	RRXAJR5Z0103	1	1	1
R541	CHIP RES.(1608) 1/10W J 18k Ω	RRXAJR5Z0183	1	1	1
R542	CHIP RES.(1608) 1/10W J 1k Ω	RRXAJR5Z0102	1	1	1
R543	CARBON RES. 1/4W J 1k Ω	RCX4JATZ0102	1	1	1
R544	CHIP RES.(1608) 1/10W J 10k Ω	RRXAJR5Z0103	1	1	1
R545	CHIP RES.(1608) 1/10W J 10k Ω	RRXAJR5Z0103	1	1	1
R546	CHIP RES.(1608) 1/10W J 1k Ω	RRXAJR5Z0102	1	1	1
R547	CHIP RES.(1608) 1/10W J 10k Ω	RRXAJR5Z0103			1
R548	CHIP RES.(1608) 1/10W J 10k Ω	RRXAJR5Z0103	1	1	
R549	CHIP RES.(1608) 1/10W J 10k Ω	RRXAJR5Z0103	1	1	
R550	CHIP RES.(1608) 1/10W J 10k Ω	RRXAJR5Z0103			1
R551	CHIP RES.(1608) 1/10W J 10k Ω	RRXAJR5Z0103	1	1	1
R552	CHIP RES.(1608) 1/10W J 10k Ω	RRXAJR5Z0103	1	1	1

Ref. No.	Description	Part No.	A	B	C
R555	CHIP RES.(1608) 1/10W J 1k Ω	RRXAJR5Z0102	1	1	1
R558	CHIP RES.(1608) 1/10W J 10k Ω	RRXAJR5Z0103	1	1	1
R560	CHIP RES.(1608) 1/10W J 10k Ω	RRXAJR5Z0103	1	1	1
R565	CHIP RES.(1608) 1/10W J 10k Ω	RRXAJR5Z0103	1	1	1
R567	CHIP RES.(1608) 1/10W J 39k Ω	RRXAJR5Z0393	1	1	1
R568	CHIP RES.(1608) 1/10W J 220k Ω	RRXAJR5Z0224	1	1	1
R569	CHIP RES.(1608) 1/10W J 10k Ω	RRXAJR5Z0103	1	1	1
R570	CARBON RES. 1/6W J 4.7k Ω or CARBON RES. 1/4W J 4.7k Ω	RCX6JATZ0472 RCX4JATZ0472	1	1	1
R572	CHIP RES.(1608) 1/10W J 1k Ω	RRXAJR5Z0102	1	1	1
R574	CHIP RES.(1608) 1/10W J 560 Ω	RRXAJR5Z0561	1	1	1
R575	CHIP RES.(1608) 1/10W J 330k Ω	RRXAJR5Z0334	1	1	1
R576	CHIP RES.(1608) 1/10W J 10k Ω	RRXAJR5Z0103	1	1	
R577	CHIP RES.(1608) 1/10W J 1.5k Ω	RRXAJR5Z0152	1	1	1
R578	CHIP RES.(1608) 1/10W J 1k Ω	RRXAJR5Z0102	1	1	1
R581	CHIP RES.(1608) 1/10W J 10k Ω	RRXAJR5Z0103	1	1	1
R582	CHIP RES.(1608) 1/10W J 100k Ω	RRXAJR5Z0104	1	1	1
R584	CHIP RES.(1608) 1/10W J 100 Ω	RRXAJR5Z0101	1	1	1
R585	CHIP RES.(1608) 1/10W J 1.8k Ω	RRXAJR5Z0182	1	1	1
R586	CHIP RES.(1608) 1/10W J 820 Ω	RRXAJR5Z0821	1	1	1
R588	CHIP RES.(1608) 1/10W J 470 Ω	RRXAJR5Z0471	1	1	1
R601	CHIP RES.(1608) 1/10W J 1k Ω	RRXAJR5Z0102	1	1	1
R602	CHIP RES.(1608) 1/10W J 1.8k Ω	RRXAJR5Z0182	1	1	1
R603	CHIP RES.(1608) 1/10W J 6.8k Ω	RRXAJR5Z0682	1	1	1
R611	CHIP RES.(1608) 1/10W J 3.3k Ω	RRXAJR5Z0332	1	1	1
R613	CHIP RES.(1608) 1/10W J 8.2k Ω	RRXAJR5Z0822	1	1	1
R614	CHIP RES.(1608) 1/10W J 5.1k Ω	RRXAJR5Z0512	1	1	1
R615	CHIP RES.(1608) 1/10W J 5.1k Ω	RRXAJR5Z0512	1	1	1
R616	CHIP RES.(1608) 1/10W J 8.2k Ω	RRXAJR5Z0822	1	1	1
R617	PCB JUMPER D0.6-P5.0	JW5.0T	1	1	1
R632	CHIP RES.(1608) 1/10W J 100 Ω	RRXAJR5Z0101	1	1	1
R633	CHIP RES.(1608) 1/10W J 10k Ω	RRXAJR5Z0103	1	1	1
R634	CHIP RES.(1608) 1/10W J 10k Ω	RRXAJR5Z0103	1	1	1
R635	CHIP RES.(1608) 1/10W J 2.7k Ω	RRXAJR5Z0272	1	1	1
R636	CHIP RES.(1608) 1/10W J 10k Ω	RRXAJR5Z0103	1	1	1
R637	CHIP RES.(1608) 1/10W J 5.6k Ω	RRXAJR5Z0562	1	1	1
R703	CARBON RES. 1/6W J 1.8k Ω or CARBON RES. 1/4W J 1.8k Ω	RCX6JATZ0182 RCX4JATZ0182	1	1	1
R704	CHIP RES.(1608) 1/10W J 1k Ω	RRXAJR5Z0102	1	1	1
R705	CHIP RES.(1608) 1/10W J 1k Ω	RRXAJR5Z0102	1	1	1
R706	CARBON RES. 1/4W J 1k Ω	RCX4JATZ0102	1	1	1
R751	CHIP RES.(1608) 1/10W J 12k Ω	RRXAJR5Z0123	1	1	1
R752	CARBON RES. 1/6W J 330 Ω or CARBON RES. 1/4W J 330 Ω	RCX6JATZ0331 RCX4JATZ0331	1	1	1
R753	CHIP RES.(1608) 1/10W J 5.6k Ω	RRXAJR5Z0562	1	1	1
R755	CHIP RES.(1608) 1/10W J 47k Ω	RRXAJR5Z0473	1	1	1
R756	CHIP RES.(1608) 1/10W J 820 Ω	RRXAJR5Z0821	1	1	1
R757	CHIP RES.(1608) 1/10W J 820 Ω	RRXAJR5Z0821	1	1	1
R759	CARBON RES. 1/6W J 150 Ω or CARBON RES. 1/4W J 150 Ω	RCX6JATZ0151 RCX4JATZ0151	1	1	1
R760	CHIP RES.(1608) 1/10W J 150 Ω	RRXAJR5Z0151	1	1	1
R761	CHIP RES.(1608) 1/10W J 75 Ω	RRXAJR5Z0750	1	1	1
R762	CHIP RES.(1608) 1/10W J 4.7k Ω	RRXAJR5Z0472	1	1	1
R763	CHIP RES.(1608) 1/10W J 4.7k Ω	RRXAJR5Z0472	1	1	1
R764	CARBON RES. 1/6W J 47k Ω or CARBON RES. 1/4W J 47k Ω	RCX6JATZ0473 RCX4JATZ0473	1	1	1
R765	CHIP RES.(1608) 1/10W J 10k Ω	RRXAJR5Z0103	1	1	1
R775	CHIP RES.(1608) 1/10W J 2.2k Ω	RRXAJR5Z0222	1	1	1
R776	CHIP RES.(1608) 1/10W J 2.2k Ω	RRXAJR5Z0222	1	1	1
R777	CHIP RES.(1608) 1/10W J 10M Ω	RRXAJR5Z0106	1	1	1
R778	CHIP RES.(1608) 1/10W J 4.7k Ω	RRXAJR5Z0472	1	1	1

Ref. No.	Description	Part No.	A	B	C
R779	CHIP RES.(1608) 1/10W J 10M Ω	RRXAJR5Z0106	1	1	1
R780	CHIP RES.(1608) 1/10W J 100k Ω	RRXAJR5Z0104	1	1	1
R781	CHIP RES.(1608) 1/10W J 15k Ω	RRXAJR5Z0153	1	1	1
R782	CHIP RES.(1608) 1/10W J 4.7k Ω	RRXAJR5Z0472	1	1	1
R783	CHIP RES.(1608) 1/10W J 22k Ω	RRXAJR5Z0223	1	1	1
R784	CHIP RES.(1608) 1/10W J 15k Ω	RRXAJR5Z0153	1	1	1
R785	CHIP RES.(1608) 1/10W J 15k Ω	RRXAJR5Z0153	1	1	1
R786	CHIP RES.(1608) 1/10W J 33k Ω	RRXAJR5Z0333	1	1	1
R787	CHIP RES.(1608) 1/10W J 33k Ω	RRXAJR5Z0333	1	1	1
R788	CHIP RES.(1608) 1/10W J 33k Ω	RRXAJR5Z0333	1	1	1
R789	CHIP RES.(1608) 1/10W J 33k Ω	RRXAJR5Z0333	1	1	1
R790	CHIP RES.(1608) 1/10W J 8.2k Ω	RRXAJR5Z0822	1	1	1
R791	CHIP RES.(1608) 1/10W J 8.2k Ω	RRXAJR5Z0822	1	1	1
R1056	CARBON RES. 1/4W J 180 Ω	RCX4JATZ0181	1	1	1
R1057	CARBON RES. 1/4W J 180 Ω	RCX4JATZ0181	1	1	1
R1060	CARBON RES. 1/6W J 1 Ω or CARBON RES. 1/4W J 1 Ω	RCX6JATZ01R0 RCX4JATZ01R0	1	1	1
R1061	CARBON RES. 1/6W J 1.8k Ω or CARBON RES. 1/4W J 1.8k Ω	RCX6JATZ0182 RCX4JATZ0182	1	1	1
R1062	CHIP RES.(1608) 1/10W J 10k Ω	RRXAJR5Z0103	1	1	1
R1065	CHIP RES.(1608) 1/10W J 10k Ω	RRXAJR5Z0103	1	1	1
R1066	CHIP RES.(1608) 1/10W J 220k Ω	RRXAJR5Z0224	1	1	1
R1067	CHIP RES.(1608) 1/10W J 22k Ω	RRXAJR5Z0223	1	1	1
R1068	CARBON RES. 1/4W J 1k Ω	RCX4JATZ0102	1	1	1
R1069	CHIP RES.(1608) 1/10W 0 Ω	RRXAZR5Z0000	1	1	1
R1071	CHIP RES.(1608) 1/10W J 10k Ω	RRXAJR5Z0103	1	1	1
R1072	CHIP RES.(1608) 1/10W J 5.6k Ω	RRXAJR5Z0562	1	1	1
R1073	CARBON RES. 1/4W J 0.47 Ω	RCX4JATZ0R47	1	1	1
R1074	CHIP RES.(1608) 1/10W J 220k Ω	RRXAJR5Z0224	1	1	1
R1075	CHIP RES.(1608) 1/10W J 6.8k Ω	RRXAJR5Z0682	1	1	1
R1076	CHIP RES.(1608) 1/10W J 220k Ω	RRXAJR5Z0224	1	1	1
R1077	CHIP RES.(1608) 1/10W J 10k Ω	RRXAJR5Z0103	1	1	1
R1078	CHIP RES.(1608) 1/10W J 22k Ω	RRXAJR5Z0223	1	1	1
R1203	CHIP RES.(1608) 1/10W 0 Ω	RRXAZR5Z0000	1	1	1
R1204	CHIP RES.(1608) 1/10W 0 Ω	RRXAZR5Z0000	1	1	1
R1205	CHIP RES.(1608) 1/10W F 20k Ω or CHIP RES.(1608) 1/10W F 20k Ω	RRXAFR5H2002 RRXAFR5Z2002	1	1	1
R1206	CHIP RES.(1608) 1/10W F 20k Ω or CHIP RES.(1608) 1/10W F 20k Ω	RRXAFR5H2002 RRXAFR5Z2002	1	1	1
R1207	CHIP RES.(1608) 1/10W J 8.2k Ω	RRXAJR5Z0822	1	1	1
R1208	CHIP RES.(1608) 1/10W J 8.2k Ω	RRXAJR5Z0822	1	1	1
R1209	CHIP RES.(1608) 1/10W F 30k Ω or CHIP RES.(1608) 1/10W F 30k Ω	RRXAFR5H3002 RRXAFR5Z3002	1	1	1
R1210	CHIP RES.(1608) 1/10W F 30k Ω or CHIP RES.(1608) 1/10W F 30k Ω	RRXAFR5H3002 RRXAFR5Z3002	1	1	1
R1211	CHIP RES.(1608) 1/10W J 1k Ω	RRXAJR5Z0102	1	1	1
R1212	CHIP RES.(1608) 1/10W 0 Ω	RRXAZR5Z0000	1	1	1
R1213	CHIP RES.(1608) 1/10W 0 Ω	RRXAZR5Z0000	1	1	1
R1221	CHIP RES.(1608) 1/10W J 100k Ω	RRXAJR5Z0104	1	1	1
R1222	CHIP RES.(1608) 1/10W J 100k Ω	RRXAJR5Z0104	1	1	1
R1223	CHIP RES.(1608) 1/10W J 470 Ω	RRXAJR5Z0471	1	1	1
R1224	CHIP RES.(1608) 1/10W J 470 Ω	RRXAJR5Z0471	1	1	1
R1225	CHIP RES.(1608) 1/10W J 1k Ω	RRXAJR5Z0102	1	1	1
R1226	CHIP RES.(1608) 1/10W J 1k Ω	RRXAJR5Z0102	1	1	1
R1227	CHIP RES.(1608) 1/10W J 220 Ω	RRXAJR5Z0221	1	1	1
R1228	CHIP RES.(1608) 1/10W J 220 Ω	RRXAJR5Z0221	1	1	1
R1235	CHIP RES.(1608) 1/10W J 2.2k Ω	RRXAJR5Z0222	1	1	1
R1236	CHIP RES.(1608) 1/10W J 2.2k Ω	RRXAJR5Z0222	1	1	1
R1237	CHIP RES.(1608) 1/10W J 2.2k Ω	RRXAJR5Z0222	1	1	1
R1238	CHIP RES.(1608) 1/10W J 2.2k Ω	RRXAJR5Z0222	1	1	1
R1239	CHIP RES.(1608) 1/10W J 100k Ω	RRXAJR5Z0104	1	1	1

Ref. No.	Description	Part No.	A	B	C
R1240	CHIP RES.(1608) 1/10W J 100k Ω	RRXAJR5Z0104	1	1	1
R1245	CHIP RES.(1608) 1/10W J 10 Ω	RRXAJR5Z0100	1	1	1
R1352	CHIP RES.(1608) 1/10W J 1.8k Ω	RRXAJR5Z0182	1	1	1
R1353	CHIP RES.(1608) 1/10W J 2.2k Ω	RRXAJR5Z0222	1	1	1
R1354	CHIP RES.(1608) 1/10W J 2.2k Ω	RRXAJR5Z0222	1	1	1
R1355	CHIP RES.(1608) 1/10W J 220 Ω	RRXAJR5Z0221	1	1	1
R1356	CHIP RES.(1608) 1/10W J 75 Ω	RRXAJR5Z0750	1	1	1
R1360	CHIP RES.(1608) 1/10W 0 Ω	RRXAZR5Z0000	1	1	1
R1361	CHIP RES.(1608) 1/10W J 100k Ω	RRXAJR5Z0104	1	1	1
R1364	CHIP RES.(1608) 1/10W 0 Ω	RRXAZR5Z0000	1	1	1
R1394	CARBON RES. 1/6W J 100 Ω or CARBON RES. 1/4W J 100 Ω	RCX6JATZ0101 RCX4JATZ0101	1	1	1
R1396	CHIP RES.(1608) 1/10W J 1k Ω	RRXAJR5Z0102	1	1	1
R1421	CHIP RES.(1608) 1/10W F 75 Ω or CHIP RES.(1608) 1/10W F 75 Ω	RRXAFR5H75R0 RRXAFR5Z75R0	1	1	1
R1422	CARBON RES. 1/4W J 75 Ω	RCX4JATZ0750	1	1	1
R1441	CHIP RES.(1608) 1/10W F 75 Ω or CHIP RES.(1608) 1/10W F 75 Ω	RRXAFR5H75R0 RRXAFR5Z75R0	1	1	1
R1442	CARBON RES. 1/4W J 75 Ω	RCX4JATZ0750	1	1	1
R1461	CHIP RES.(1608) 1/10W F 36 Ω or CHIP RES.(1608) 1/10W F 36 Ω	RRXAFR5H36R0 RRXAFR5Z36R0	1	1	1
R1471	CHIP RES.(1608) 1/10W F 36 Ω or CHIP RES.(1608) 1/10W F 36 Ω	RRXAFR5H36R0 RRXAFR5Z36R0	1	1	1
R1481	CHIP RES.(1608) 1/10W F 36 Ω or CHIP RES.(1608) 1/10W F 36 Ω	RRXAFR5H36R0 RRXAFR5Z36R0	1	1	1
R1501	CHIP RES.(1608) 1/10W J 75 Ω	RRXAJR5Z0750	1	1	1
R1502	CHIP RES.(1608) 1/10W J 10k Ω	RRXAJR5Z0103	1	1	1
R2005	CHIP RES.(1608) 1/10W J 10k Ω	RRXAJR5Z0103	1	1	1
R2022	CHIP RES.(1608) 1/10W J 10k Ω	RRXAJR5Z0103	1	1	1
R2027	CHIP RES.(1608) 1/10W J 180k Ω	RRXAJR5Z0184	1	1	1
R2038	CHIP RES.(1608) 1/10W J 2.2k Ω	RRXAJR5Z0222	1	1	1
R2039	CHIP RES.(1608) 1/10W J 10k Ω	RRXAJR5Z0103	1	1	1
R2040	CHIP RES.(1608) 1/10W J 10k Ω	RRXAJR5Z0103	1	1	1
R2047	CHIP RES.(1608) 1/10W J 1k Ω	RRXAJR5Z0102	1	1	1
R2060	CHIP RES.(1608) 1/10W J 100k Ω	RRXAJR5Z0104	1	1	1
R2068	CARBON RES. 1/6W J 1.5k Ω or CARBON RES. 1/4W J 1.5k Ω	RCX6JATZ0152 RCX4JATZ0152	1	1	1
R2094	CHIP RES.(1608) 1/10W 0 Ω	RRXAZR5Z0000	1	1	1
R2103	CHIP RES.(1608) 1/10W J 10k Ω	RRXAJR5Z0103	1	1	1
R2104	CHIP RES.(1608) 1/10W J 10k Ω	RRXAJR5Z0103	1	1	1
R2105	CHIP RES.(1608) 1/10W J 15k Ω	RRXAJR5Z0153	1	1	1
R2106	CHIP RES.(1608) 1/10W J 2.4k Ω	RRXAJR5Z0242	1	1	1
R2107	CHIP RES.(1608) 1/10W J 4.3k Ω	RRXAJR5Z0432	1	1	1
R2110	CARBON RES. 1/6W J 8.2k Ω or CARBON RES. 1/4W J 8.2k Ω	RCX6JATZ0822 RCX4JATZ0822	1	1	1
R2111	CARBON RES. 1/4W J 10k Ω	RCX4JATZ0103	1	1	1
SWITCHES					
SW501	TACT SWITCH KSM0614B or TACT SWITCH SKQSAF001A or TACT SWITCH TC-1104(H=9.5)	SST0101HH013 SST0101AL041 SST0101DNG01	1	1	1
SW506	LEAF SWITCH MXS01830MVPO	SSC0101MCE03	1	1	1
SW507	ROTARY MODE SWITCH SSS-50MD or ROTARY MODE SWITCH R8100245	SSR0106KB002 SSR0106U3002	1	1	1
SW603	TACT SWITCH KSM0614B or TACT SWITCH SKQSAF001A or TACT SWITCH TC-1104(H=9.5)	SST0101HH013 SST0101AL041 SST0101DNG01	1	1	1
SW2021	TACT SWITCH KSM0614B or TACT SWITCH SKQSAF001A or TACT SWITCH TC-1104(H=9.5)	SST0101HH013 SST0101AL041 SST0101DNG01	1	1	1
SW2022	TACT SWITCH KSM0614B or TACT SWITCH SKQSAF001A or	SST0101HH013 SST0101AL041	1	1	1

Ref. No.	Description	Part No.	A	B	C
	TACT SWITCH TC-1104(H=9.5)	SST0101DNG01	1	1	1
MISCELLANEOUS					
2B11	SHIELD ASSEMBLY H9500ED	0VM414860	1	1	1
2B15	BUSH, LED(F) H3700UD	0VM409508	1	1	1
2B46	ROHM HOLDER H7770JD	0VM304573	1	1	1
2B54	PLATE, GROUND(MAIN) H9500ED	0VM415307	1	1	1
JK101	RGB CONNECTOR MRC-021V-05	JXGL210LY004	1	1	1
JK751	RCA JACK MSP-382V-12 PBSN	JXRL020LY063	1	1	1
JK752	RCA JACK(YELLOW) MSP-281V4-B	JXRL010LY003	1	1	1
JK753	RCA JACK(WHITE) MSP-281V1-B	JXRL010LY005	1	1	1
JK754	RCA JACK(RED) MSP-281V3-A	JYRL010LY002	1	1	1
JK1202	RCA JACK(BLACK) MSP-281V2-B	JXRL010LY062	1	1	1
JK1401	S TYPE JACK MDC-050V-2.4	JXEL040LY001	1	1	1
JW001	FFC CABLE, 22P FFC/P1.00/200	WX1H9510-005	1	1	1
JW002	FFC CABLE, 18P FFC/P1.00/200	WX1H9510-002	1	1	1
JW004	FFC CABLE, 6P FFC/P1.25/90	WX1H9510-004	1	1	1
JW012	WIRE 100/BRO/AWG22#1007	WX3101A25510	1	1	1
PS502	PHOTO INTERRUPTER RPI-302C70	QPWZP1302C70	1	1	1
RM2001	REMOTE RECEIVER PIC-37042LU	USESJRSKK033	1	1	1
TP301	PCB JUMPER D0.6-P10.0	JW10.0T	1	1	1
TP501	PCB JUMPER D0.6-P5.0	JW5.0T	1	1	1
TP502	PCB JUMPER D0.6-P17.0	JW17.0T	1	1	1
TP503	PCB JUMPER D0.6-P6.0	JW6.0T	1	1	1
TP504	PCB JUMPER D0.6-P5.0	JW5.0T	1	1	1
TP751	PCB JUMPER D0.6-P10.0	JW10.0T	1	1	1
TU701	TUNER UNIT TMDG2-631A	UTUNPLBAL012	1		
TU701	TUNER UNIT TMDG2-632A	UTUNPLSAL001		1	
TU701	TUNER UNIT TMDZ2-731A	UTUNPSLAL002			1
VR501	CARBON P.O.T. 100k Ω B	VRCB104HH014	1	1	1
X301	XTAL 4.433619MHz or XTAL 4.433619MHz	FXC445LLN001 1811388	1	1	1
X501	XTAL 12.000MHz	FXD126LDS001	1	1	1
X502	XTAL 32.768kHz(20PPM) or XTAL 32.768kHz(20PPM)	FXC323LQUA01 FXC323LDS002	1	1	1
X2001	CERAMIC RESONATOR (47PF) CSTLS4M00G56-A0	FY0405TMR006	1	1	1

FUNCTION CBA

Ref. No.	Description	Part No.	A	B	C
	FUNCTION CBA(MCV-B) Consists on the following:	-----	1	1	1
RESISTOR					
R590	CHIP RES.(1608) 1/10W J 2.2k Ω	RRXAJR5Z0222	1	1	1
SWITCHES					
SW591	TACT SWITCH KSM0614B or TACT SWITCH SKQSAF001A or TACT SWITCH TC-1104(H=9.5)	SST0101HH013 SST0101AL041 SST0101DNG01	1	1	1
MISCELLANEOUS					
JW007	FLAT CABLE, 2P AWG26#2651/P2.0/120	WX1HC460-001	1	1	1

DVD OPEN/CLOSE CBA

Ref. No.	Description	Part No.	A	B	C
	DVD OPEN/CLOSE CBA (MCV-C) Consists on the following:	-----	1	1	1
SWITCHES					
SW2020	TACT SWITCH KSM0614B or TACT SWITCH SKQSAF001A or	SST0101HH013 SST0101AL041	1	1	1

Ref. No.	Description	Part No.	A	B	C
	TACT SWITCH TC-1104(H=9.5)	SST0101DNG01	1	1	1
MISCELLANEOUS					
JW009	FLAT CABLE, 2P AWG26#2651/P2.0/120	WX1HC460-001	1	1	1

SENSOR CBA

Ref. No.	Description	Part No.	A	B	C
	SENSOR CBA Consists on the following:	0VSA14057	1	1	1
TRANSISTORS					
Q503	PHOTO TRANSISTOR PT204-6B-12 or PHOTO TRANSISTOR MID-32A22	NPWZT2046B12 NPWZM1D32A22	1	1	1
Q504	PHOTO TRANSISTOR PT204-6B-12 or PHOTO TRANSISTOR MID-32A22	NPWZT2046B12 NPWZM1D32A22	1	1	1

AFV CBA

Ref. No.	Description	Part No.	A	B	C
	AFV CBA AFV CBA Consists on the following:	0VSA13077 0VSA13245	1	1	1
CAPACITORS					
C1	CHIP CERAMIC CAP. F Z 0.1μF/50V or CHIP CERAMIC CAP. F Z 0.1μF/25V or CHIP CERAMIC CAP. FZ Z 0.1μF/50V	CHD1JZ30F104 CHD1EZ30F104 CHD1JZ3FZ104	1	1	1
C4	CHIP CERAMIC CAP. CH J 56pF/50V or CHIP CERAMIC CAP. CG J 56pF/50V	CHD1JJ3CH560 CHD1JJ3CG560	1	1	1
C5	CHIP CERAMIC CAP. CH J 22pF/50V or CHIP CERAMIC CAP. CG J 22pF/50V	CHD1JJ3CH220 CHD1JJ3CG220	1	1	1
C6	CHIP CERAMIC CAP. CH J 56pF/50V or CHIP CERAMIC CAP. CG J 56pF/50V	CHD1JJ3CH560 CHD1JJ3CG560	1	1	1
C7	CHIP CERAMIC CAP. CH C 3pF/50V or CHIP CERAMIC CAP. CJ C 3pF/50V or CHIP CERAMIC CAP. CH D 3pF/50V	CHD1JC3CH3R0 CHD1JC3CJ3R0 CHD1JD3CH3R0	1	1	1
C8	CHIP CERAMIC CAP. CH C 3pF/50V or CHIP CERAMIC CAP. CJ C 3pF/50V or CHIP CERAMIC CAP. CH D 3pF/50V	CHD1JC3CH3R0 CHD1JC3CJ3R0 CHD1JD3CH3R0	1	1	1
C11	CHIP CERAMIC CAP. B K 0.01μF/50V	CHD1JK30B103	1	1	1
C12	ELECTROLYTIC CAP. 10μF/16V M H7	CE1CMASL100	1	1	1
C13	CHIP CERAMIC CAP. B K 0.01μF/50V	CHD1JK30B103	1	1	1
C14	CHIP CERAMIC CAP. B K 0.01μF/50V	CHD1JK30B103	1	1	1
C15	ELECTROLYTIC CAP. 10μF/16V M H7	CE1CMASL100	1	1	1
C16	ELECTROLYTIC CAP. 10μF/16V M H7	CE1CMASL100	1	1	1
C17	CHIP CERAMIC CAP. F Z 0.1μF/50V or CHIP CERAMIC CAP. F Z 0.1μF/25V or CHIP CERAMIC CAP. FZ Z 0.1μF/50V	CHD1JZ30F104 CHD1EZ30F104 CHD1JZ3FZ104	1	1	1
C19	CHIP CERAMIC CAP. F Z 0.1μF/50V or CHIP CERAMIC CAP. F Z 0.1μF/25V or CHIP CERAMIC CAP. FZ Z 0.1μF/50V	CHD1JZ30F104 CHD1EZ30F104 CHD1JZ3FZ104	1	1	1
C20	ELECTROLYTIC CAP. 3.3μF/50V M H7	CE1JMASSL3R3	1	1	1
C21	CHIP CERAMIC CAP. F Z 0.1μF/50V or CHIP CERAMIC CAP. F Z 0.1μF/25V or CHIP CERAMIC CAP. FZ Z 0.1μF/50V	CHD1JZ30F104 CHD1EZ30F104 CHD1JZ3FZ104	1	1	1
C22	ELECTROLYTIC CAP. 10μF/16V M H7	CE1CMASL100	1	1	1
C23	CHIP CERAMIC CAP. F Z 0.47μF/10V or CHIP CERAMIC CAP. F Z 0.47μF/16V or CHIP CERAMIC CAP. FZ Z 0.47μF/25V	CHD1AZ30F474 CHD1CZ30F474 CHD1EZ3FZ474			1
C24	ELECTROLYTIC CAP. 0.22μF/50V M H7	CE1JMASSLR22	1	1	1
CONNECTOR					
CN1	ANGLE PIN HEADER, 9P 6029B-1-09Z003-T	5700069	1	1	1

Ref. No.	Description	Part No.	A	B	C
DIODES					
D2	SWITCHING DIODE 1N4148M or SWITCHING DIODE 1SS133(T-77)	NDTZ01N4148M QDTZ001SS133	1	1	1
ICS					
IC1	IC:AUDIO PROCESSOR MSP3417G-QG-B8 or IC:AUDIO PROCESSOR MSP3417G-QG-B8- V3	NSZBA0SP3002 NSZBA0SP3005	1	1	1
COILS					
L1	INDUCTOR 10 μ H-K-26T	LLAXKATTU100	1	1	1
L2	PCB JUMPER D0.6-P5.0	JW5.0T	1	1	1
L3	INDUCTOR 18 μ H-K-26T	LLAXKATTU180	1	1	1
L4	INDUCTOR 10 μ H-K-26T	LLAXKATTU100	1	1	1
RESISTORS					
R1	CHIP RES.(1608) 1/10W J 1k Ω	RRXAJR5Z0102	1	1	1
R2	CHIP RES.(1608) 1/10W 0 Ω	RRXAZR5Z0000			1
R4	CHIP RES.(1608) 1/10W J 120k Ω	RRXAJR5Z0124	1	1	1
R5	CHIP RES.(1608) 1/10W 0 Ω	RRXAZR5Z0000	1	1	1
R6	CHIP RES.(1608) 1/10W 0 Ω	RRXAZR5Z0000	1	1	1
R7	CHIP RES.(1608) 1/10W J 1.2k Ω	RRXAJR5Z0122			1
MISCELLNEOUS					
X1	X'TAL 18.432MHz	FXD186LLN001	1	1	1

PSV CBA

Ref. No.	Description	Part No.	A	B	C
	PSV CBA PSV CBA Consists of the following	0VSA14315 0VSA14331	1	1	1
	POWER SUPPLY CBA(PSV-A) JUNCTION CBA(PSV-B) JACK CBA(PSV-C)	----- ----- -----	1	1	1

POWER SUPPLY CBA

Ref. No.	Description	Part No.	A	B	C
	POWER SUPPLY CBA(PSV-A) Consists on the following:	-----	1	1	1
CAPACITORS					
C013	ELECTROLYTIC CAP. 10 μ F/50V M or ELECTROLYTIC CAP. 10 μ F/50V M	CE1JMASDL100 CE1JMASTL100	1	1	1
C014	ELECTROLYTIC CAP. 470 μ F/25V M or ELECTROLYTIC CAP. 470 μ F/25V M	CE1EMASDL471 CE1EMASTL471	1	1	1
C017	ELECTROLYTIC CAP. 1000 μ F/16V M	CE1CMZPTL102	1	1	1
C018	ELECTROLYTIC CAP. 470 μ F/6.3V M or ELECTROLYTIC CAP. 470 μ F/6.3V M	CE0KMASDL471 CE0KMASTL471	1	1	1
C020	ELECTROLYTIC CAP. 22 μ F/50V M or ELECTROLYTIC CAP. 22 μ F/50V M	CE1JMASDL220 CE1JMASTL220	1	1	1
C021	CERAMIC CAP.(AX) F Z 0.1 μ F/50V	CCA1JZTFZ104	1	1	1
C022	ELECTROLYTIC CAP. 470 μ F/35V M or ELECTROLYTIC CAP. 470 μ F/35V M	CE1GMASDL471 CE1GMASTL471	1	1	1
C1001 Δ	METALLIZED FILM CAP. 0.068 μ F/275V K or Δ METALLIZED FILM CAP. 0.068 μ F/250V K	CT2E683HJE06 CT2E683DC011	1	1	1
C1003	CERAMIC CAP. B K 0.01 μ F/500V	CCD2JKP0B103	1	1	1
C1004	ELECTROLYTIC CAP. 100 μ F/400V M	CA2H101S6016	1	1	1
C1005	CERAMIC CAP. SL K 56pF/1KV or CERAMIC CAP. SL J 56pF/1KV	CCD3AKPSL560 CCD3AJPSL560	1	1	1
C1006 Δ	SAFETY CAP. 2200pF/250V or Δ SAFETY CAP. 2200pF/250V	CCN2EMP0E222 CA2E222MR049	1	1	1
C1007	ELECTROLYTIC CAP. 1000 μ F/6.3V M	CE0KMZPTL102	1	1	1
C1013	CERAMIC CAP.(AX) X K 3300pF/16V	CCA1CKTOX332	1	1	1
C1018	ELECTROLYTIC CAP. 100 μ F/10V M or	CE1AMASDL101	1	1	1

Ref. No.	Description	Part No.	A	B	C
	ELECTROLYTIC CAP. 100 μ F/10V M	CE1AMASDL101	1	1	1
C1021	CERAMIC CAP.(AX) Y M 0.01 μ F/16V	CCA1CMTOY103	1	1	1
C1022	CERAMIC CAP.(AX) Y M 0.012 μ F/16V	CCA1CMTOY123	1	1	1
C1029	CERAMIC CAP.(AX) X K 5600pF/16V	CCA1CKTOX562	1	1	1
C1032	ELECTROLYTIC CAP. 10 μ F/16V M or ELECTROLYTIC CAP. 10 μ F/16V M	CE1CMASDL100 CE1CMASTL100	1	1	1
C1033	FILM CAP.(P) 0.022 μ F/50V J or FILM CAP.(P) 0.022 μ F/50V J	CMA1JJS00223 CA1J223MS029	1	1	1
C1035	ELECTROLYTIC CAP. 470 μ F/25V M or ELECTROLYTIC CAP. 470 μ F/25V M	CE1EMASDL471 CE1EMASTL471	1	1	1
C1053	CHIP CERAMIC CAP. B K 0.01 μ F/50V	CHD1JK30B103	1	1	1
C1054	ELECTROLYTIC CAP. 470 μ F/6.3V M or ELECTROLYTIC CAP. 470 μ F/6.3V M	CE0KMASDL471 CE0KMASTL471	1	1	1
C1055	CHIP CERAMIC CAP. B K 0.01 μ F/50V	CHD1JK30B103	1	1	1
C1105	ELECTROLYTIC CAP. 100 μ F/16V M or ELECTROLYTIC CAP. 100 μ F/16V M	CE1CMASDL101 CE1CMASTL101	1	1	1
C1106	ELECTROLYTIC CAP. 100 μ F/35V M or ELECTROLYTIC CAP. 100 μ F/35V M	CE1GMASDL101 CE1GMASTL101	1	1	1
C1107	ELECTROLYTIC CAP. 220 μ F/6.3V M or ELECTROLYTIC CAP. 220 μ F/6.3V M	CE0KMASDL221 CE0KMASTL221	1	1	1
C1108	ELECTROLYTIC CAP. 470 μ F/6.3V M or ELECTROLYTIC CAP. 470 μ F/6.3V M	CE0KMASDL471 CE0KMASTL471	1	1	1
C1109	ELECTROLYTIC CAP. 220 μ F/6.3V M or ELECTROLYTIC CAP. 220 μ F/6.3V M	CE0KMASDL221 CE0KMASTL221	1	1	1
DIODES					
D013	RECTIFIER DIODE BA158	NDQZ000BA158	1	1	1
D014	SCHOTTKY BARRIER DIODE SB390	NDQZ000SB390	1	1	1
D015	ZENER DIODE DZ-5.6BSCT265 or ZENER DIODE MTZJT-775.6C	NDTC00DZ5R6BS QDTC00MTZJ5R6	1	1	1
D016	SCHOTTKY BARRIER DIODE SB340	NDQZ000SB340	1	1	1
D017	ZENER DIODE DZ-8.2BSAT265 or ZENER DIODE MTZJT-778.2A	NDTA00DZ8R2BS QDTA00MTZJ8R2	1	1	1
D018	RECTIFIER DIODE BA157 or FAST RECOVERY DIODE ERA18-04	NDQZ000BA157 QDPZ0ERA1804	1	1	1
D019	RECTIFIER DIODE FR203	NDQZ000FR203	1	1	1
D055	PCB JUMPER D0.6-P10.0	JW10.0T	1	1	1
D1001	RECTIFIER DIODE 1N4005	NDQZ001N4005	1	1	1
D1002	RECTIFIER DIODE 1N4005	NDQZ001N4005	1	1	1
D1003	RECTIFIER DIODE 1N4005	NDQZ001N4005	1	1	1
D1004	RECTIFIER DIODE 1N4005	NDQZ001N4005	1	1	1
D1006	SWITCHING DIODE 1N4148M or SWITCHING DIODE 1SS133(T-77)	NDTZ01N4148M QDTZ001SS133	1	1	1
D1008	SCHOTTKY BARRIER DIODE SB140 or SCHOTTKY BARRIER DIODE ERB81-004	NDQZ000SB140 AERB81004***	1	1	1
D1011	RECTIFIER DIODE BA159 or RECTIFIER DIODE ERA22-10	NDQZ000BA159 QDPZ0ERA2210	1	1	1
D1012	SWITCHING DIODE 1N4148M or SWITCHING DIODE 1SS133(T-77)	NDTZ01N4148M QDTZ001SS133	1	1	1
D1016	RECTIFIER DIODE FR101	NDWZ000FR101	1	1	1
D1017	ZENER DIODE DZ-20BSBT265 or ZENER DIODE MTZJT-7720B	NDTB00DZ20BS QDTB00MTZJ20	1	1	1
D1018	SWITCHING DIODE 1N4148M or SWITCHING DIODE 1SS133(T-77)	NDTZ01N4148M QDTZ001SS133	1	1	1
D1022	SWITCHING DIODE 1N4148M or SWITCHING DIODE 1SS133(T-77)	NDTZ01N4148M QDTZ001SS133	1	1	1
D1024	SWITCHING DIODE 1N4148M or SWITCHING DIODE 1SS133(T-77)	NDTZ01N4148M QDTZ001SS133	1	1	1
D1025	SWITCHING DIODE 1N4148M or SWITCHING DIODE 1SS133(T-77)	NDTZ01N4148M QDTZ001SS133	1	1	1
D1026	ZENER DIODE DZ-5.1BSBT265 or ZENER DIODE MTZJT-775.1B	NDTB00DZ5R1BS QDTB00MTZJ5R1	1	1	1

Ref. No.	Description	Part No.	A	B	C
D1030	SCHOTTKY BARRIER DIODE SB340	NDQZ000SB340	1	1	1
D1051	PCB JUMPER D0.6-P7.5	JW7.5T	1	1	1
D1060	RECTIFIER DIODE 1N4005	NDQZ001N4005	1	1	1
D1061	SWITCHING DIODE 1N4148M or	NDT201N4148M	1	1	1
	SWITCHING DIODE 1SS133(T-77)	QDTZ001SS133	1	1	1
D1062	SWITCHING DIODE 1N4148M or	NDT201N4148M	1	1	1
	SWITCHING DIODE 1SS133(T-77)	QDTZ001SS133	1	1	1
ICS					
IC1001	PHOTOCOUPLER EL817A or	NPEA000EL817	1	1	1
△	PHOTOCOUPLER EL817B or	NPEB000EL817	1	1	1
△	PHOTOCOUPLER EL817C or	NPEC000EL817	1	1	1
△	PHOTOCOUPLER LTV-817B-F or	NPEB0LTV817F	1	1	1
△	PHOTOCOUPLER LTV-817C-F	NPEC0LTV817F	1	1	1
IC1051	VOLTAGE REGULATOR PQ070XF01SZ	QSZBA0SSH026	1	1	1
IC1052	VOLTAGE REGULATOR PQ070XF01SZ	QSZBA0SSH026	1	1	1
COILS					
L013	CHOKE COIL 47μH-K or	LLBD000PKV007	1	1	1
	CHOKE COIL 47μH-K	LLBD000PKV005	1	1	1
L1001	BEAD CORE B16 RH 3.5X10X1.3	XL03010XM001	1	1	1
L1002	BEAD CORE B16 RH 3.5X10X1.3	XL03010XM001	1	1	1
L1003	LINE FILTER 56MH TLF14CB5630R2 or	LLBG002TU022	1	1	1
△	LINE FILTER 50MH LF-4D-E503	LLBG002KQ009	1	1	1
L1004	BEAD CORE B16 RH 3.5X10X1.3	XL03010XM001	1	1	1
L1009	CHOKE COIL 47μH-K or	LLBD000PKV007	1	1	1
	CHOKE COIL 47μH-K	LLBD000PKV005	1	1	1
L1010	CHOKE COIL 47μH-K or	LLBD000PKV007	1	1	1
	CHOKE COIL 47μH-K	LLBD000PKV005	1	1	1
L1011	CHOKE COIL 47μH-K or	LLBD000PKV007	1	1	1
	CHOKE COIL 47μH-K	LLBD000PKV005	1	1	1
L1012	CHOKE COIL 47μH-K or	LLBD000PKV007	1	1	1
	CHOKE COIL 47μH-K	LLBD000PKV005	1	1	1
TRANSISTORS					
Q1001	FET 2SK3566	QFWZ02SK3566	1	1	1
Q1003	TRANSISTOR 2SC1815-GR(TPE2)	QQS102SC1815	1	1	1
Q1008	TRANSISTOR KTC3199(Y) or	NQSY0KTC3199	1	1	1
	TRANSISTOR KTC3199(GR) or	NQS10KTC3199	1	1	1
	TRANSISTOR 2SC2785(J) or	QQS102SC2785	1	1	1
	TRANSISTOR 2SC2785(H) or	QQSH02SC2785	1	1	1
	TRANSISTOR 2SC2785(F) or	QQSF02SC2785	1	1	1
	TRANSISTOR 2SC1815-Y(TPE2)	QQSY02SC1815	1	1	1
Q1009	TRANSISTOR KTC3199(Y) or	NQSY0KTC3199	1	1	1
	TRANSISTOR KTC3199(GR) or	NQS10KTC3199	1	1	1
	TRANSISTOR 2SC2785(J) or	QQS102SC2785	1	1	1
	TRANSISTOR 2SC2785(H) or	QQSH02SC2785	1	1	1
	TRANSISTOR 2SC2785(F) or	QQSF02SC2785	1	1	1
	TRANSISTOR 2SC1815-Y(TPE2)	QQSY02SC1815	1	1	1
RESISTORS					
R013	CARBON RES. 1/6W J 2.7k Ω or	RCX6JATZ0272	1	1	1
	CARBON RES. 1/4W J 2.7k Ω	RCX4JATZ0272	1	1	1
R057	CHIP RES.(1608) 1/10W J 220k Ω	RRXAJR5Z0224	1	1	1
R068	CARBON RES. 1/4W J 1.8k Ω	RCX4JATZ0182	1	1	1
R069	CARBON RES. 1/4W J 1.8k Ω	RCX4JATZ0182	1	1	1
R1002	CARBON RES. 1/4W J 560k Ω	RCX4JATZ0564	1	1	1
R1003	CARBON RES. 1/4W J 560k Ω	RCX4JATZ0564	1	1	1
R1004	METAL OXIDE FILM RES. 2W J 82k Ω or	RN02JZLZ0823	1	1	1
	METAL OXIDE FILM RES. 2W J 82k Ω	RN02JZQZ0823	1	1	1
R1005	CARBON RES. 1/4W J 1M Ω	RCX4JATZ0105	1	1	1
R1006	CARBON RES. 1/4W J 1M Ω	RCX4JATZ0105	1	1	1
R1007	CARBON RES. 1/4W J 1M Ω	RCX4JATZ0105	1	1	1
R1008	CARBON RES. 1/4W G 680 Ω	RCX4GATZ0681	1	1	1

Ref. No.	Description	Part No.	A	B	C
R1010	CARBON RES. 1/4W J 6.8k Ω	RCX4JATZ0682	1	1	1
R1011	METAL OXIDE FILM RES. 1W J 1.3 Ω or	RN011R3ZU001	1	1	1
	METAL OXIDE FILM RES. 1W J 1.3 Ω	RN011R3KE009	1	1	1
R1020	CARBON RES. 1/6W J 1.5k Ω or	RCX6JATZ0152	1	1	1
	CARBON RES. 1/4W J 1.5k Ω	RCX4JATZ0152	1	1	1
R1021	CARBON RES. 1/6W J 22k Ω or	RCX6JATZ0223	1	1	1
	CARBON RES. 1/4W J 22k Ω	RCX4JATZ0223	1	1	1
R1022	CARBON RES. 1/6W J 1k Ω or	RCX6JATZ0102	1	1	1
	CARBON RES. 1/4W J 1k Ω	RCX4JATZ0102	1	1	1
R1023	CARBON RES. 1/6W J 330 Ω or	RCX6JATZ0331	1	1	1
	CARBON RES. 1/4W J 330 Ω	RCX4JATZ0331	1	1	1
R1024	CARBON RES. 1/6W J 1k Ω or	RCX6JATZ0102	1	1	1
	CARBON RES. 1/4W J 1k Ω	RCX4JATZ0102	1	1	1
R1025	CARBON RES. 1/6W J 68k Ω or	RCX6JATZ0683	1	1	1
	CARBON RES. 1/4W J 68k Ω	RCX4JATZ0683	1	1	1
R1029	CARBON RES. 1/6W J 100k Ω or	RCX6JATZ0104	1	1	1
	CARBON RES. 1/4W J 100k Ω	RCX4JATZ0104	1	1	1
R1032	CARBON RES. 1/6W J 1.2k Ω or	RCX6JATZ0122	1	1	1
	CARBON RES. 1/4W J 1.2k Ω	RCX4JATZ0122	1	1	1
R1035	CARBON RES. 1/6W J 1k Ω or	RCX6JATZ0102	1	1	1
	CARBON RES. 1/4W J 1k Ω	RCX4JATZ0102	1	1	1
R1036	CARBON RES. 1/6W J 100k Ω or	RCX6JATZ0104	1	1	1
	CARBON RES. 1/4W J 100k Ω	RCX4JATZ0104	1	1	1
R1037	CARBON RES. 1/6W J 10k Ω or	RCX6JATZ0103	1	1	1
	CARBON RES. 1/4W J 10k Ω	RCX4JATZ0103	1	1	1
R1038	CARBON RES. 1/6W J 100k Ω or	RCX6JATZ0104	1	1	1
	CARBON RES. 1/4W J 100k Ω	RCX4JATZ0104	1	1	1
R1039	CARBON RES. 1/6W J 470k Ω or	RCX6JATZ0474	1	1	1
	CARBON RES. 1/4W J 470k Ω	RCX4JATZ0474	1	1	1
R1040	CARBON RES. 1/6W J 5.6 Ω or	RCX6JATZ05R6	1	1	1
	CARBON RES. 1/4W J 5.6 Ω	RCX4JATZ05R6	1	1	1
R1043	METAL OXIDE FILM RES. 1W J 2.7 Ω or	RN01JZLZ02R7	1	1	1
	METAL OXIDE FILM RES. 1W J 2.7 Ω	RN01JZQZ02R7	1	1	1
R1051	CHIP RES.(1608) 1/10W J 3.9k Ω	RRXAJR5Z0392	1	1	1
R1052	CHIP RES.(1608) 1/10W J 10k Ω	RRXAJR5Z0103	1	1	1
R1058	CHIP RES.(1608) 1/10W J 1k Ω	RRXAJR5Z0102	1	1	1
R1059	CARBON RES. 1/6W J 1k Ω or	RCX6JATZ0102	1	1	1
	CARBON RES. 1/4W J 1k Ω	RCX4JATZ0102	1	1	1
R1060	CHIP RES.(1608) 1/10W J 1.5k Ω	RRXAJR5Z0152	1	1	1
R1061	CHIP RES.(1608) 1/10W J 1k Ω	RRXAJR5Z0102	1	1	1
R1063	CHIP RES.(1608) 1/10W J 8.2k Ω	RRXAJR5Z0822	1	1	1
R1064	CHIP RES.(1608) 1/10W J 4.7k Ω	RRXAJR5Z0472	1	1	1
R2126	CARBON RES. 1/4W J 6.8k Ω	RCX4JATZ0682	1	1	1
R2127	CARBON RES. 1/4W J 6.8k Ω	RCX4JATZ0682	1	1	1
MISCELLANEOUS					
2B33	HEATSINK(1) H9500ED or	0VM414987A	1	1	1
	HEATSINK(2) H9500ED	0VM414989	1	1	1
2L053	SCREW, S-TIGHT M3X8 BIND + CHROME or	GBMS3080	1	1	1
	SCREW, S-TIGHT M3X8 BIND + CHROME	GBMS3080	1	1	1
AC1001	AC CORD PE8G2CG9G0A-055	WAE0162LW001	1		1
△					
AC1001	AC CORD PE8G2V59G0A-059	WAB0172LW002		1	
△					
F1001	FUSE T1.6AL/250V or	PAGC20BW3162	1	1	1
△	FUSE T1.6AL/250V or	1790994	1	1	1
△	FUSE 50T016H 1.6A/250V	PAGH20BHV162	1	1	1
FH1001	FUSE HOLDER MSF-015	XH01Z00LY001	1	1	1
FH1002	FUSE HOLDER MSF-015	XH01Z00LY001	1	1	1
J922	BEAD CORE B16 RH 3.5X10X1.3	XL03010XM001	1	1	1
T001	SWITCHING TRANSFORMER CSA-SW0274B	LTT00EPSA142	1	1	1

JUNCTION CBA

Ref. No.	Description	Part No.	A	B	C
	JUNCTION CBA(PSV-B) Consists on the following:	-----	1	1	1
CONNECTOR					
CN003	CONNECTOR, 19P TUC-P19X-B1	JCTUS19TG001	1	1	1
MISCELLANEOUS					
JW005	FLAT CABLE, 9P AWG26#2651/P2.0/100	WX3809S6FF10	1	1	1
JW006	FLAT CABLE, 10P AWG26#2651/P2.0/100	WX3810S6FF10	1	1	1

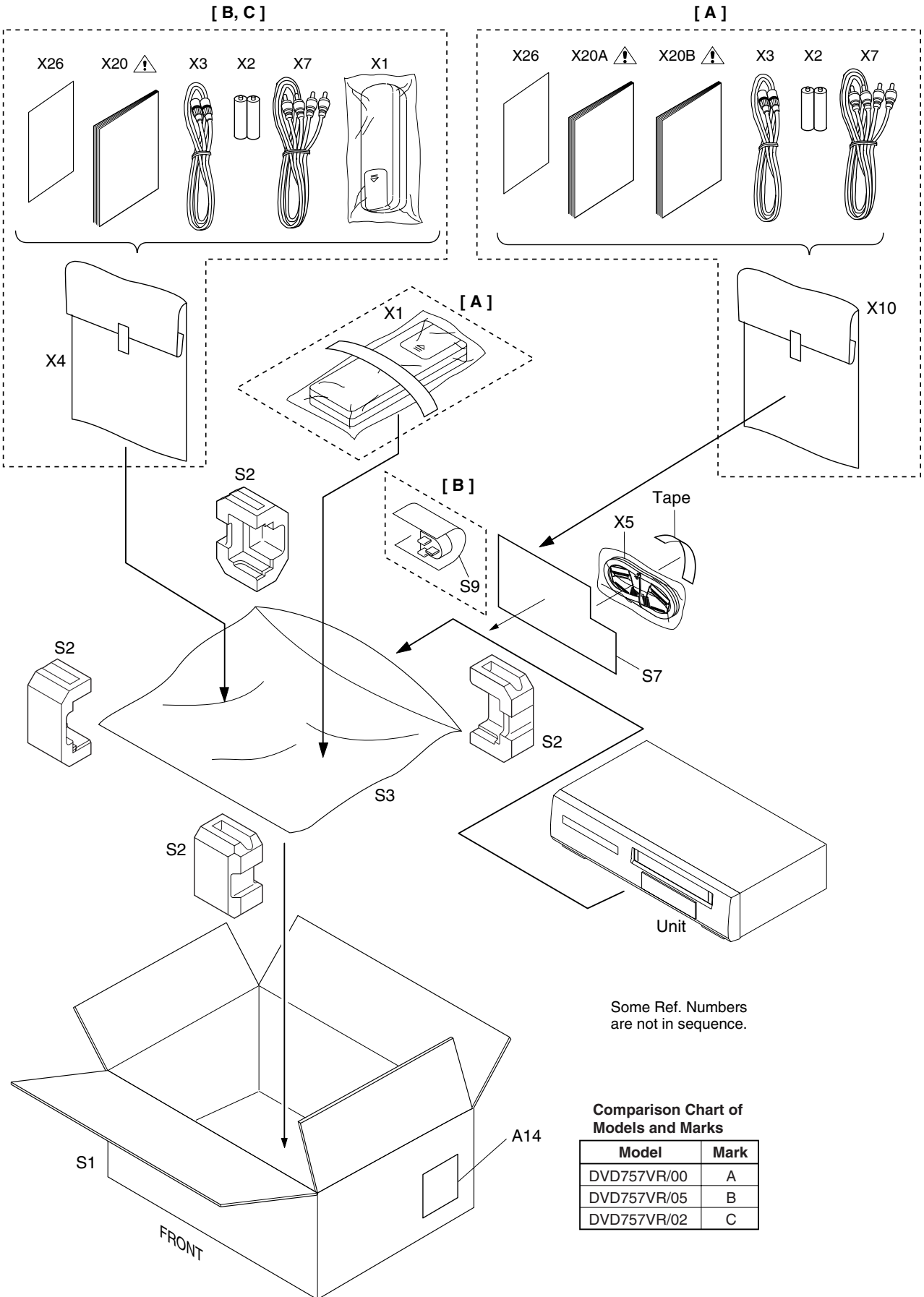
JACK CBA

Ref. No.	Description	Part No.	A	B	C
	JACK CBA(PSV-C) Consists on the following:	-----	1	1	1
CAPACITORS					
C101	CHIP CERAMIC CAP. B K 1000pF/50V	CHD1JK30B102	1	1	1
C102	ELECTROLYTIC CAP. 1 μ F/50V M or ELECTROLYTIC CAP. 1 μ F/50V M	CE1JMASDL1R0 CE1JMASTL1R0	1	1	1
C105	CHIP CERAMIC CAP. B K 2200pF/50V	CHD1JK30B222	1	1	1
C106	CHIP CERAMIC CAP. CH J 470pF/50V or CHIP CERAMIC CAP. CG J 470pF/50V	CHD1JJ3CH471 CHD1JJ3CG471	1	1	1
C108	ELECTROLYTIC CAP. 470 μ F/6.3V M or ELECTROLYTIC CAP. 470 μ F/6.3V M	CE0KMASDL471 CE0KMASTL471	1	1	1
C110	CHIP CERAMIC CAP. B K 2200pF/50V	CHD1JK30B222	1	1	1
C111	CHIP CERAMIC CAP. CH J 470pF/50V or CHIP CERAMIC CAP. CG J 470pF/50V	CHD1JJ3CH471 CHD1JJ3CG471	1	1	1
C119	CHIP CERAMIC CAP. B K 2200pF/50V	CHD1JK30B222	1	1	1
DIODES					
D112	ZENER DIODE DZ-11BSAT265 or ZENER DIODE MTZJT-7711A	NDTA00DZ11BS QDTA00MTZJ11	1	1	1
D113	ZENER DIODE DZ-11BSAT265 or ZENER DIODE MTZJT-7711A	NDTA00DZ11BS QDTA00MTZJ11	1	1	1
COILS					
L102	BEAD CORE B16 RH 3.5X10X1.3	XL03010XM001	1	1	1
TRANSISTORS					
Q103	TRANSISTOR KTA1266(GR) or TRANSISTOR 2SA1015-GR(TPE2)	NQS40KTA1266 QQS102SA1015	1	1	1
RESISTORS					
R111	CHIP RES.(1608) 1/10W J 220 Ω	RRXAJR5Z0221	1	1	1
R114	CARBON RES. 1/4W J 820 Ω	RCX4JATZ0821	1	1	1
R117	CARBON RES. 1/4W J 680 Ω	RCX4JATZ0681	1	1	1
R118	CARBON RES. 1/6W J 4.7k Ω or CARBON RES. 1/4W J 4.7k Ω	RCX6JATZ0472 RCX4JATZ0472	1	1	1
R120	CARBON RES. 1/4W J 68 Ω	RCX4JATZ0680	1	1	1
R123	CARBON RES. 1/4W J 820 Ω	RCX4JATZ0821	1	1	1
R125	CARBON RES. 1/6W J 4.7k Ω or CARBON RES. 1/4W J 4.7k Ω	RCX6JATZ0472 RCX4JATZ0472	1	1	1
R126	CHIP RES.(1608) 1/10W J 75 Ω	RRXAJR5Z0750	1	1	1
MISCELLANEOUS					
2B53	PLATE, GROUND(21PIN) H9500ED	0VM415201	1	1	1
JK1402	RGB CONNECTOR MRC-021V-03	JXGL210LY003	1	1	1
JW008	FLAT CABLE, 10P AWG26#2651/P2.0/120	WX3810S6FF12	1	1	1


FRONT CBA

Ref. No.	Description	Part No.	A	B	C
	FRONT CBA Consists on the following:	0VSA14322	1	1	1
CONNECTORS					
CN651	FE CONNECTOR, TOP 6P 06FE-BT-VK-N	JCFEJ06JG001	1	1	1
DIODES					
D651	LED(RED) 204URC-A	NPQZ0204URCA	1	1	1
LED EXCLUSIVE(A)					
D652	LED(GREEN) 204-10GD/S957	NPQZ10GDS957	1	1	1
D653	LED(GREEN) 204-10GD/S957	NPQZ10GDS957	1	1	1
LED EXCLUSIVE(B)					
D652	LED(GREEN) LTL-4231N	NPQZLTL4231N	1	1	1
D653	LED(GREEN) LTL-4231N	NPQZLTL4231N	1	1	1
RESISTORS					
R651	CARBON RES. 1/6W J 1k Ω or CARBON RES. 1/4W J 1k Ω	RCX6JATZ0102 RCX4JATZ0102	1	1	1
R652	CARBON RES. 1/6W J 39k Ω or CARBON RES. 1/4W J 39k Ω	RCX6JATZ0393 RCX4JATZ0393	1	1	1
SWITCHES					
SW651	TACT SWITCH KSM0614B or TACT SWITCH SKQSAF001A or TACT SWITCH TC-1104(H=9.5)	SST0101HH013 SST0101AL041 SST0101DNG01	1	1	1
SW652	TACT SWITCH KSM0614B or TACT SWITCH SKQSAF001A or TACT SWITCH TC-1104(H=9.5)	SST0101HH013 SST0101AL041 SST0101DNG01	1	1	1
SW653	TACT SWITCH KSM0614B or TACT SWITCH SKQSAF001A or TACT SWITCH TC-1104(H=9.5)	SST0101HH013 SST0101AL041 SST0101DNG01	1	1	1
MISCELLANEOUS					
2B15	BUSH, LED(F) H3700UD	0VM409508	1	1	1

Packing



SET MECHANICAL PARTS LIST

PRODUCT SAFETY NOTE: Products marked with a  have special characteristics important to safety. Before replacing any of these components, read carefully the product safety notice in this service manual. Don't degrade the safety of the product through improper servicing.

Comparison Chart of Models and Marks

Model	Mark
DVD757VR/00	A
DVD757VR/05	B
DVD757VR/02	C

Ref. No.	Description	Part No.	A	B	C
A1X	FRONT ASSEMBLY H9520ED	0VM204281	1		
A1X	FRONT ASSEMBLY H9521BD	0VM204282		1	
A1X	FRONT ASSEMBLY H9522FD	0VM204283			1
A2	TOP COVER H9400UD	0VM101208	1	1	1
A3	CHASSIS(E4+U27) H9400UD	0VM101207A	1	1	1
A4	PANEL, REAR H9520ED	0VM204284	1		1
A4	PANEL, REAR H9521BD	0VM204285		1	
A10 \triangle	LABEL, RATING H9520ED	-----	1		
A10 \triangle	LABEL, RATING H9521BD	-----		1	
A10 \triangle	LABEL, RATING H9522FD	-----			1
A14	LABEL, BAR CODE H9520ED	-----	1		
A14	LABEL, BAR CODE H9521BD	-----		1	
A14	LABEL, BAR CODE H9522FD	-----			1
A20	PANEL, TRAY H9520ED	0VM415502	1	1	1
A29	FOOT K7010UA	0VM403657A	1	1	1
1B1	DECK ASSEMBLY CZD012/VM17E0	N17E0FL	1	1	1
1B2	DVD MECHA 0838 VCDVM040	N79F0GVM	1	1	1
2B1	DECK PEDESTAL-1 H9400UD	0VM101201A-1	1	1	1
2B2	TOP BRACKET H9100UD	0VM203252A	1	1	1
2B3	SIDE BRACKET H9100UD	0VM305013	1	1	1
2B6	DECK PEDESTAL-2 H9400UD	0VM101201A-2	1	1	1
2B7	DECK PEDESTAL-3 H9400UD	0VM101201A-3	1	1	1
2B9	TAPE, HIMELON(40*20) H9500ED	0VM415545	1	1	1
2B16	TAPE, HIMELON H9206JD	0VM413956	1	1	1
2B18	FIBER, TOP CASE HC460ED	0VM412906	1	1	1
2B40	INSULATOR H9500ED	0VM306050A	1	1	1
2L011	SCREW, S-TIGHT M3X8 BIND + CHROME	GBMS3080	1	1	1
2L012	SCREW, S-TIGHT M3X8 BIND + CHROME	GBMS3080	1	1	1
2L021	SCREW, S-TIGHT M3X26 H9400UD	0VM414507	1	1	1
2L031	SCREW, S-TIGHT M3X5 BIND HEAD+	GBMS3050	1	1	1
2L032	SCREW, S-TIGHT M3X5 BIND HEAD+	GBMS3050	1	1	1
2L033	SCREW, S-TIGHT M3X5 BIND HEAD+	GBMS3050	1	1	1
2L034	SCREW, S-TIGHT M3X6 BIND HEAD+	GBMS3060	1	1	1
2L035	SCREW, S-TIGHT M3X5 BIND HEAD+	GBMS3050	1	1	1
2L041	SCREW, C-TIGHT M3X5 BIND HEAD +	GBCC3050	1	1	1
2L051	SCREW, P-TIGHT M3X6 BIND HEAD+	GBMP3060	1	1	1
2L052	SCREW, P-TIGHT M3X6 BIND HEAD+	GBMP3060	1	1	1
2L054	SCREW, P-TIGHT M3X6 BIND HEAD+	GBMP3060	1	1	1
2L061	SCREW, B-TIGHT M3X8 BIND HEAD +	GBKB3080	1	1	1
2L062	SCREW, B-TIGHT M3X8 BIND HEAD +	GBKB3080	1	1	1
2L071	SCREW, P-TIGHT M3X10 WASHER HEAD+	GCMP3100	1	1	1
2L081	SCREW, S-TIGHT M3X5 BIND HEAD +	GBKS3050	1	1	1

Ref. No.	Description	Part No.	A	B	C
2L082	SCREW, S-TIGHT M3X5 BIND HEAD +	GBKS3050	1	1	1
2L091	SCREW, P-TIGHT M3X8 BIND HEAD+	GBCP3080	1	1	1
PACKING					
S1	GIFT BOX CARTON H9520ED	0VM306418	1		
S1	GIFT BOX CARTON H9521BD	0VM306419		1	
S1	GIFT BOX CARTON H9522FD	0VM306420			1
S2	STYROFOAM(2) H9100UD	0VM203377C	1		1
S2	STYROFOAM H9311BD	0VM203712		1	
S3	UNIT, BAG E5500UD	0VM411683	1	1	1
S7	21P PAD HC463FD	0VM413384	1	1	1
S9	AC PAD HC461BD	0VM413331		1	
ACCESSORIES					
X1	REMOTE CONTROL UNIT 364/CRC007	NA721ED	1	1	1
X2	DRY BATTERY R6P/2S or	XB0M451T0001	1	1	1
	DRY BATTERY ES-GR6M-C	XB0M571GLP01	1	1	1
X3	RF CORD PAL 1.2M or	WPZ0122LG001	1	1	1
	RF CABLE CC1001020012010	WPZ0122LW001	1	1	1
X4	ACCESSORY BAG K8092BA	0VM404632	1	1	1
X5	SCART CABLE 1.5M CE1013020085710	WX1E4300-012	1	1	1
X7	RCA CABLE WPZ0102TM016 or	WPZ0102TM016	1	1	1
	RCA CABLE LP-001-17 or	WPZ0102LG009	1	1	1
	RCA CABLE WPZ0102LW004	WPZ0102LW004	1	1	1
X10	BAG, REMOCON STD REMOCON	0VM406766	1		
X26	GUARANTEE CARD ASIA/EUROPE	0VMN03696	1	1	1
X20 \triangle	OWNER'S MANUAL H9521BD	0VMN03762		1	
X20 \triangle	OWNER'S MANUAL H9522FD	0VMN03763			1
X20A \triangle	OWNER'S MANUAL(1/2) H9520ED	0VMN03761	1		
X20B \triangle	OWNER'S MANUAL(2/2) H9520ED	0VMN03791	1		

DECK MECHANISM SECTION

DIGITAL VIDEO DISC PLAYER & VIDEO CASSETTE RECORDER

Sec. 2: Deck Mechanism Section

- Standard Maintenance
- Mechanism Alignment Procedures
- Disassembly / Assembly of Mechanism
- Deck Exploded Views
- Deck Parts List

TABLE OF CONTENTS

STANDARD MAINTENANCE	2-1-1
SERVICE FIXTURE AND TOOLS	2-2-1
MECHANICAL ALIGNMENT PROCEDURES	2-3-1
DISASSEMBLY / ASSEMBLY PROCEDURES OF DECK MECHANISM	2-4-1
ALIGNMENT PROCEDURES OF MECHANISM	2-4-8
DECK EXPLODED VIEWS	2-5-1
DECK PARTS LIST	2-6-1

STANDARD MAINTENANCE

Service Schedule of Components

H: Hours ○: Check ●: Change

Deck		Periodic Service Schedule			
Ref.No.	Part Name	1,000 H	2,000 H	3,000 H	4,000 H
B2	Cylinder Assembly	○	●	○	●
B3	Loading Motor Assembly			●	
B8	Pulley Assembly		●		●
B587	Tension Lever Assembly		●		●
B31	AC Head Assembly			●	
B573,B574	Reel S, Reel T			●	
B37	Capstan Motor		●		●
B52	Cap Belt		●		●
*B73	FE Head Assembly			●	
*B86	F Brake Assembly (HI)		●		●
B133	Idler Assembly (HI)		●		●
B410	Pinch Arm Assembly		●		●
B414	M Brake (SP) Assembly (HI)		●		●
B416	M Brake (TU) Assembly (HI)		●		●
B525	LDG Belt		●		●

Notes:

- Clean all parts for the tape transport (Upper Drum with Video Head / Pinch Roller / Audio Control Head / Full Erase Head) using 90% Isopropyl Alcohol.
- After cleaning the parts, do all DECK ADJUSTMENTS.
- For the reference numbers listed above, refer to Deck Exploded Views.
 - * B73 ----- Recording model only
 - * B86 ----- Not used in 2 head model.

Cleaning

Cleaning of Video Head

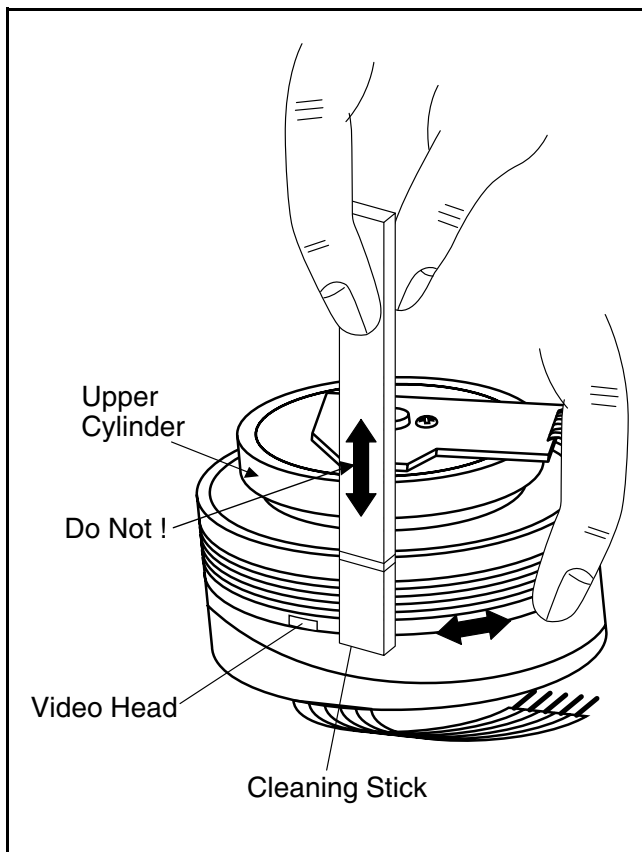
Clean the head with a head cleaning stick or chamois cloth.

Procedure

1. Remove the top cabinet.
2. Put on a glove (thin type) to avoid touching the upper and lower drum with your bare hand.
3. Put a few drops of 90% Isopropyl alcohol on the head cleaning stick or on the chamois cloth and, by slightly pressing it against the head tip, turn the upper drum to the right and to the left.

Notes:

1. The video head surface is made of very hard material, but since it is very thin, avoid cleaning it vertically.
2. Wait for the cleaned part to dry thoroughly before operating the unit.
3. Do not reuse a stained head cleaning stick or a stained chamois cloth.



Cleaning of Audio Control Head

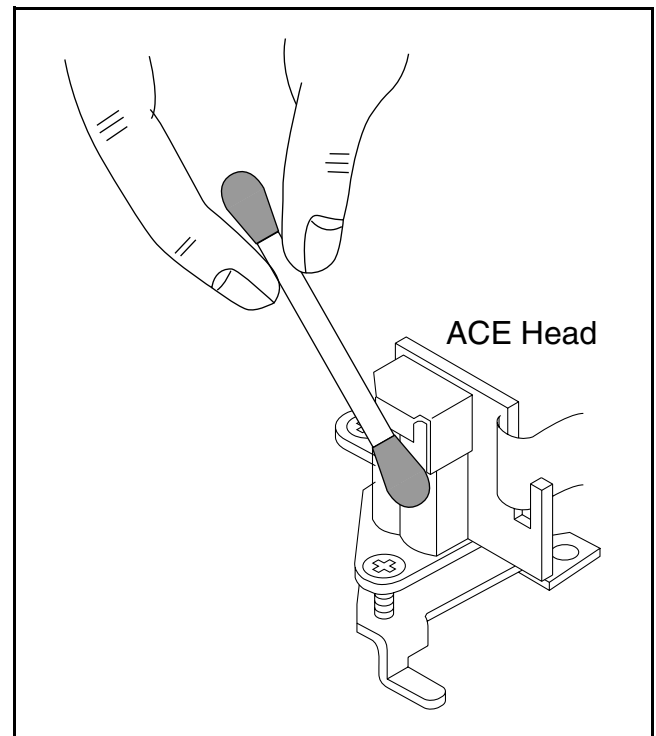
Clean the head with a cotton swab.

Procedure

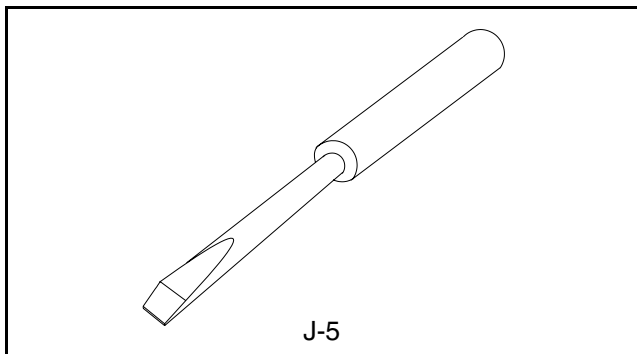
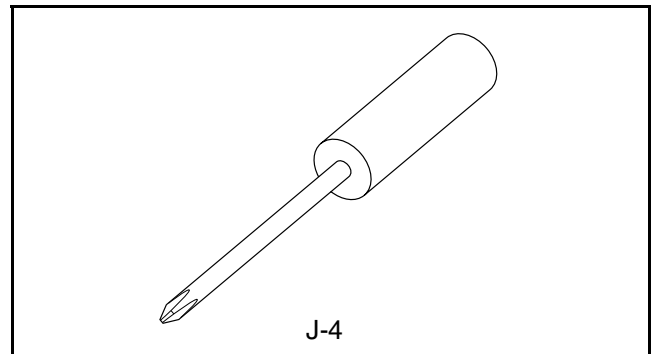
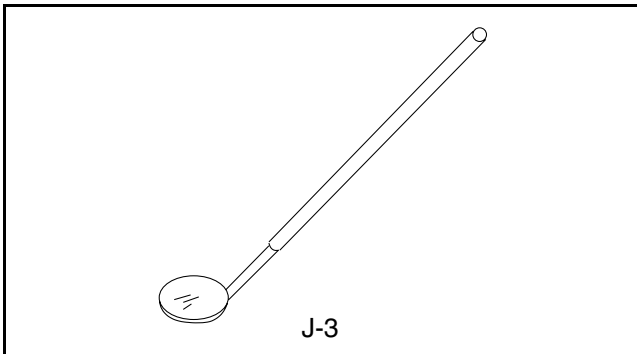
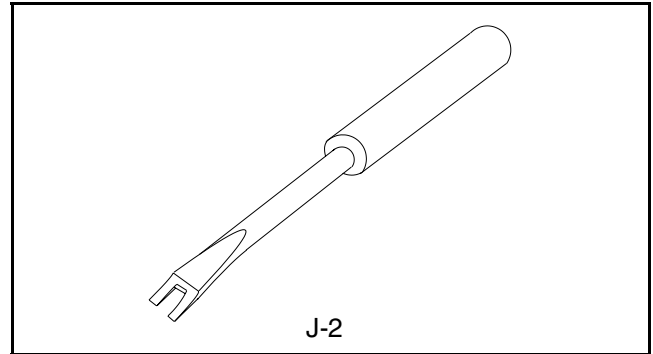
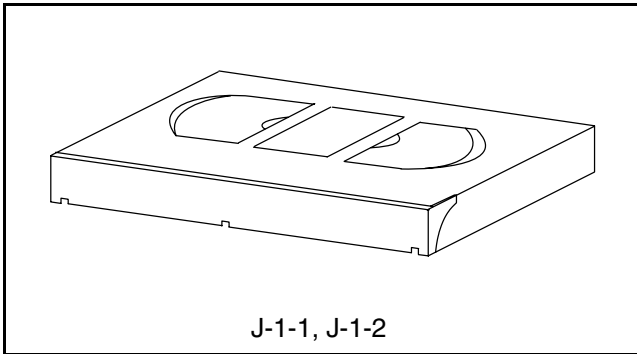
1. Remove the top cabinet.
2. Dip the cotton swab in 90% isopropyl alcohol and clean the audio control head. Be careful not to damage the upper drum and other tape running parts.

Notes:

1. Avoid cleaning the audio control head vertically.
2. Wait for the cleaned part to dry thoroughly before operating the unit or damage may occur.



SERVICE FIXTURE AND TOOLS



Ref. No.	Name	Part No.	Adjustment
J-1-1	Alignment Tape	FL6A	Electrical Adjustments
J-1-2	Alignment Tape	FL6N8 (2 Head model) FL6NS8 (4 Head model)	Azimuth and X Value Adjustment of Audio Control Head / Adjustment of Envelope Waveform
J-2	Guide Roller Adj.Screwdriver	Available Locally	Guide Roller
J-3	Mirror	Available Locally	Tape Transportation Check
J-4	Azimuth Adj.Screwdriver +	Available Locally	A/C Head Height
J-5	X Value Adj.Screwdriver -	Available Locally	X Value

MECHANICAL ALIGNMENT PROCEDURES

Explanation of alignment for the tape to correctly run starts on the next page. Refer to the information below on this page if a tape gets stuck, for example, in the mechanism due to some electrical trouble of the unit.

4-4-1 Service Information

A. Method for Manual Tape Loading/Unloading

To load a cassette tape manually:

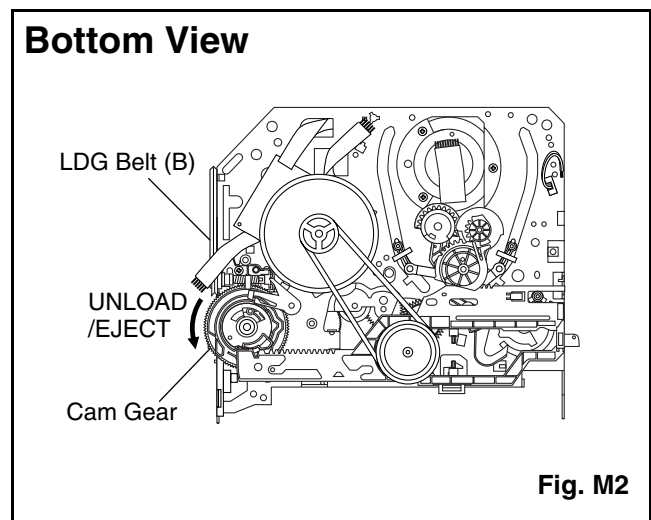
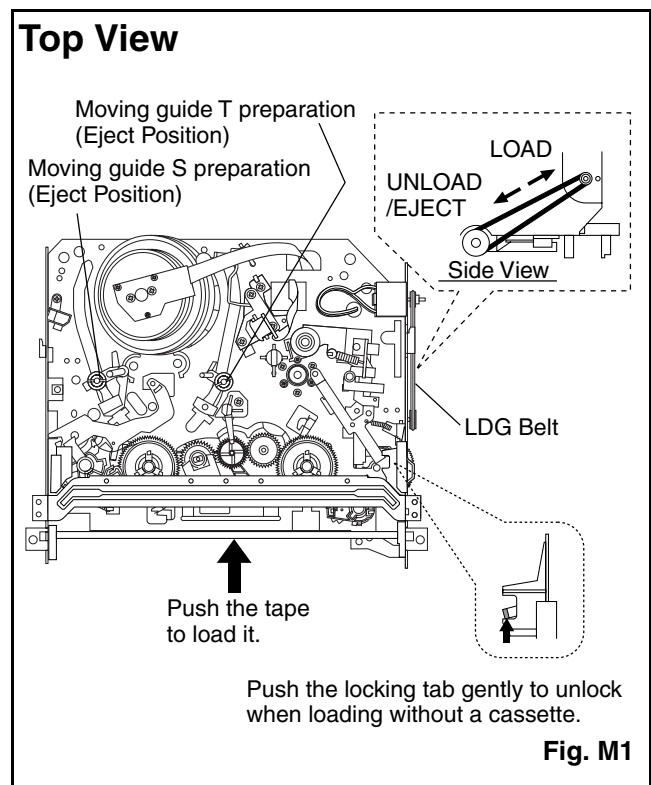
1. Disconnect the AC plug.
2. Remove the Top Case and Front Assembly.
3. Insert a cassette tape. Though the tape will not be automatically loaded, make sure that the cassette tape is all the way in at the inlet of the Cassette Holder. To confirm this, lightly push the cassette tape further in and see if the tape comes back out, by a spring motion, just as much as you have pushed in.
4. Turn the LDG Belt in the appropriate direction shown in Fig. M1 for a minute or two to complete this task.

To unload a cassette tape manually:

1. Disconnect the AC plug.
2. Remove the Top Case and Front Assembly.
3. Make sure that the Moving guide preparations are in the Eject Position.
4. Turn the LDG Belt in the appropriate direction shown in Fig. M1 until the Moving guide preparations come to the Eject Position. Stop turning when the preparations begin clicking or can not be moved further. However, the tape will be left wound around the cylinder.
5. Turn the LDG Belt in the appropriate direction continuously, and the cassette tape will be ejected. Allow a minute or two to complete this task.

B. Method to place the Cassette Holder in the tape-loaded position without a cassette tape

1. Disconnect the AC Plug.
2. Remove the Top Case and Front Assembly.
3. Turn the LDG Belt in the appropriate direction shown in Fig. M1. Release the locking tabs shown in Fig. M1 and continue turning the LDG Belt until the Cassette Holder comes to the tape-loaded position. Allow a minute or two to complete this task.



1. Tape Interchangeability Alignment

Note:

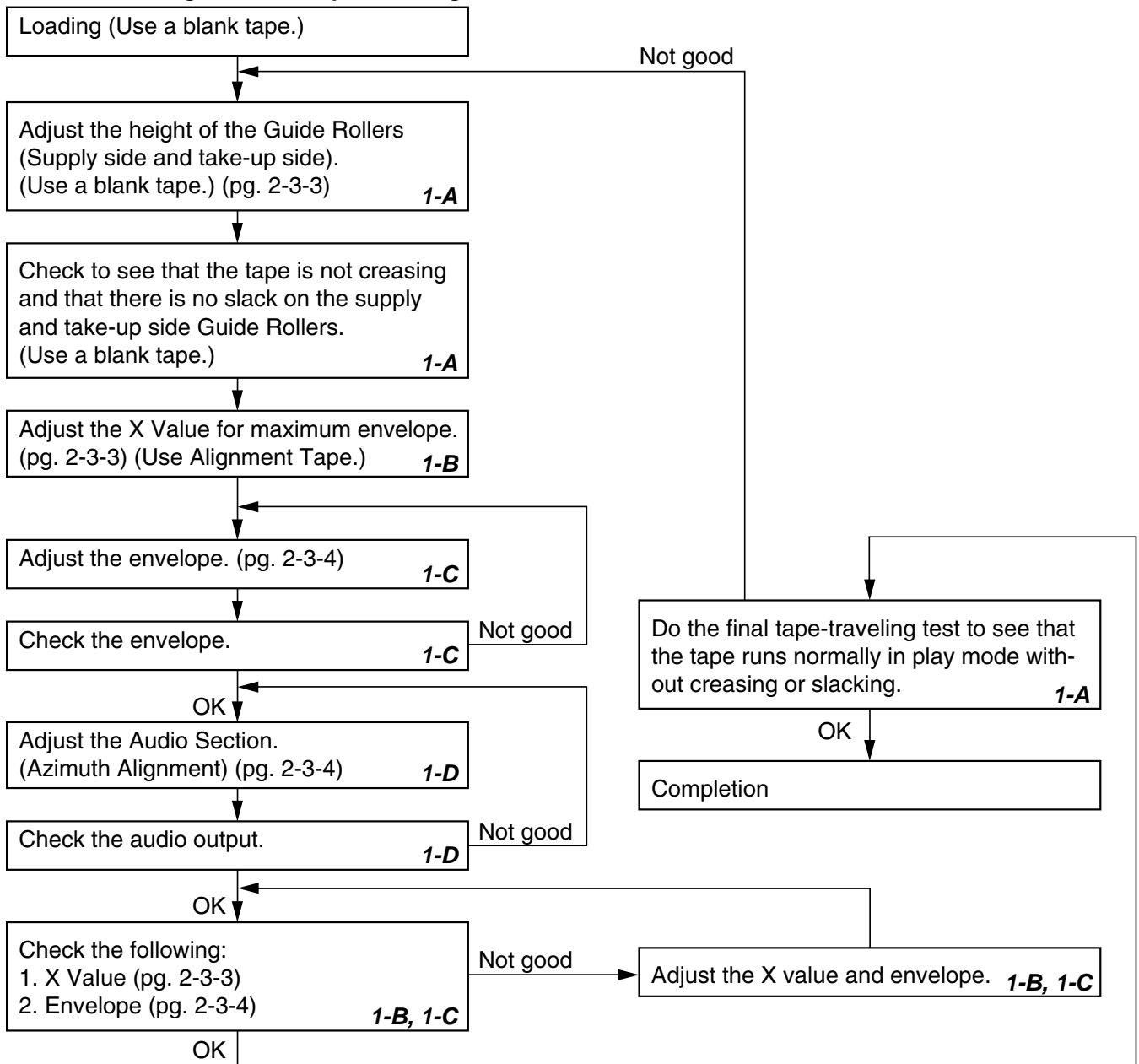
To do these alignment procedures, make sure that the Tracking Control Circuit is set to the center position every time a tape is loaded or unloaded. (Refer to page 2-3-4, procedure 1-C, step 2.)

Equipment required:

- Dual Trace Oscilloscope
- VHS Alignment Tape (FL6NS8)
- Guide Roller Adj. Screwdriver
- X-Value Adj. Screwdriver

Note: Before starting this Mechanical Alignment, do all Electrical Adjustment procedures.

Flowchart of Alignment for tape traveling



1-A. Preliminary/Final Checking and Alignment of Tape Path

Purpose:

To make sure that the tape path is well stabilized.

Symptom of Misalignment:

If the tape path is unstable, the tape will be damaged.

Note: Do not use an Alignment Tape for this procedure. If the unit is not correctly aligned, the tape may be damaged.

1. Playback a blank cassette tape and check to see that the tape runs without creasing at Guide Rollers [2] and [3], and at points A and B on the lead surface. (Refer to Fig M3 and M4.)
2. If creasing is apparent, align the height of the guide rollers by turning the top of Guide Rollers [2] and [3] with a Guide Roller Adj. Screwdriver. (Refer to Fig. M3 and M5.)

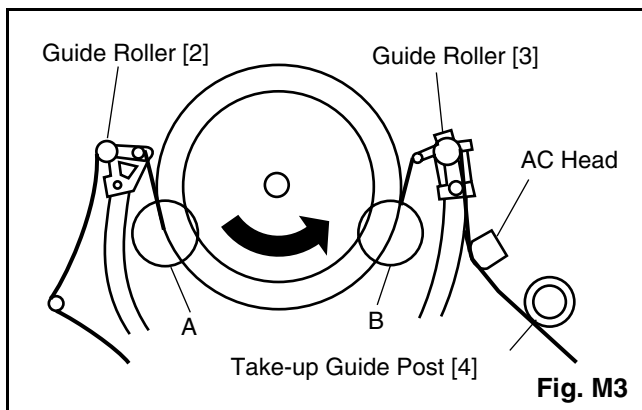


Fig. M3

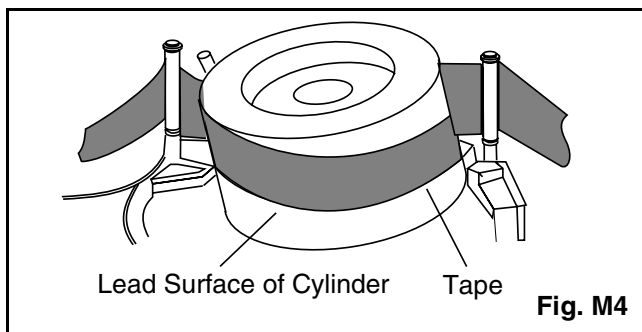


Fig. M4

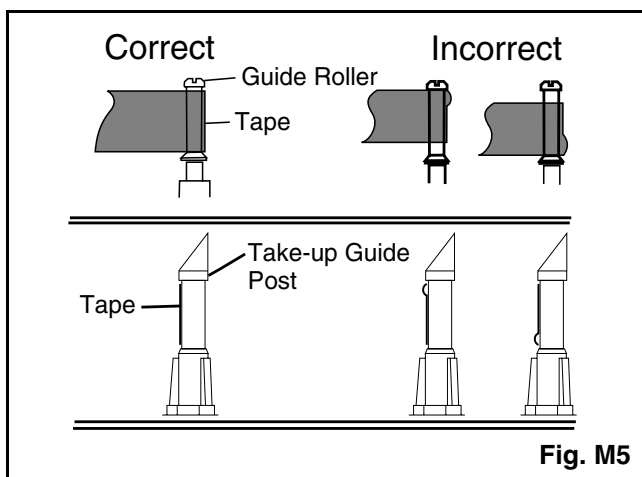


Fig. M5

3. Check to see that the tape runs without creasing at Take-up Guide Post [4] or without snaking between Guide Roller [3] and AC Head. (Fig. M3 and M5)
4. If creasing or snaking is apparent, adjust the Tilt Adj. Screw of the AC Head. (Fig. M6)

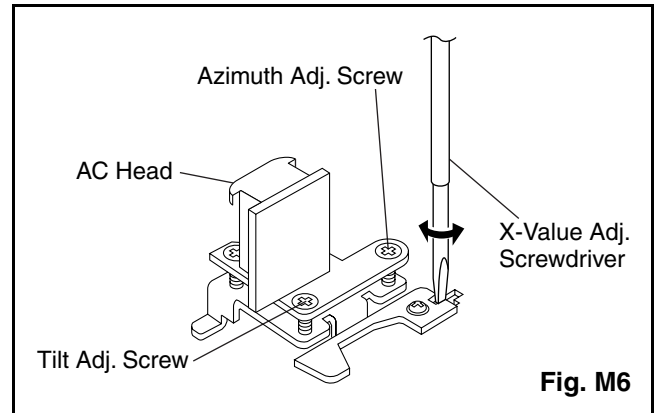


Fig. M6

1-B. X Value Alignment

Purpose:

To align the Horizontal Position of the Audio/Control/Erase Head.

Symptom of Misalignment:

If the Horizontal Position of the Audio/Control/Erase Head is not properly aligned, maximum envelope cannot be obtained at the Neutral position of the Tracking Control Circuit.

1. Connect the oscilloscope to TP301 (C-PB) and TP503 (CTL) on the Main CBA. Use TP504 (RF-SW) as a trigger.
2. Playback the Gray Scale of the Alignment Tape (FL6NS8) and confirm that the PB FM signal is present.
3. Set the Tracking Control Circuit to the center position by pressing CH UP button then "PLAY" button on the unit. (Refer to note on bottom of page 2-3-4.)
4. Use the X-Value Adj. Screwdriver so that the PB FM signal at TP301 (C-PB) is maximum. (Fig. M6)
5. Press CH UP button on the unit until the CTL waveform has shifted by approx. +2msec. Make sure that the envelope is simply attenuated (shrinks in height) during this process so that you will know the envelope has been at its peak.

- Press CH DOWN button on the unit until the CTL waveform has shifted from its original position (not the position achieved in step 5, but the position of CTL waveform in step 4) by approximately -2msec. Make sure that the envelope is simply attenuated (shrinks in height) once CTL waveform passes its original position and is further brought in the minus direction.
- Set the Tracking Control Circuit to the center position by pressing CH UP button and then "PLAY" button.

1-C. Checking/Adjustment of Envelope Waveform

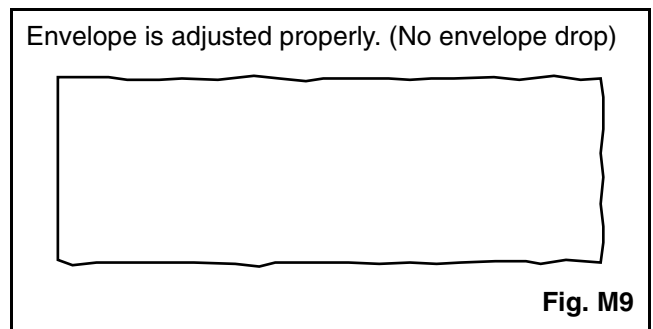
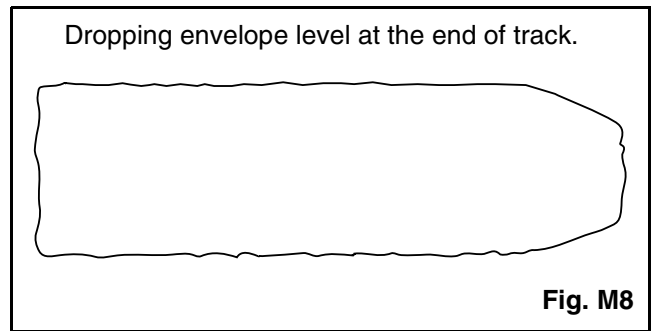
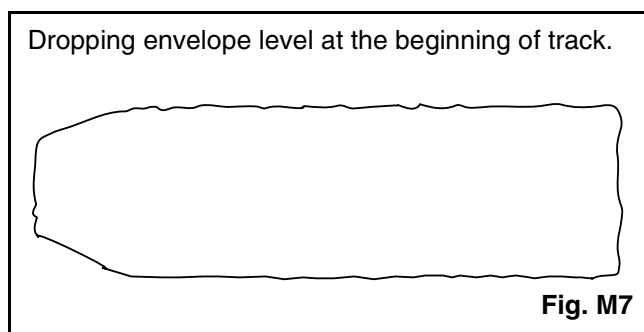
Purpose:

To achieve a satisfactory picture and precise tracking.

Symptom of Misalignment:

If the envelope output is poor, noise will appear in the picture. The tracking will then lose precision and the playback picture will be distorted by any slight variation of the Tracking Control Circuit.

- Connect the oscilloscope to TP301 (C-PB) on the Main CBA. Use TP504 (RF-SW) as a trigger.
- Playback the Gray Scale on the Alignment Tape (FL6NS8). Set the Tracking Control Circuit to the center position by pressing CH UP button and then "PLAY" button on the unit. Adjust the height of Guide Rollers [2] and [3] (Fig. M3, Page 2-3-3) watching the oscilloscope display so that the envelope becomes as flat as possible. To do this adjustment, turn the top of the Guide Roller with the Guide Roller Adj. Screwdriver.
- If the envelope is as shown in Fig. M7, adjust the height of Guide Roller [2] (Refer to Fig. M3) so that the waveform looks like the one shown in Fig. M9.
- If the envelope is as shown in Fig. M8, adjust the height of Guide Roller [3] (Refer to Fig. M3) so that the waveform looks like the one shown in Fig. M9.
- When Guide Rollers [2] and [3] (Refer to Fig.M3) are aligned properly, there is no envelope drop either at the beginning or end of track as shown in Fig. M9.



Note: Upon completion of the adjustment of Guide Rollers [2] and [3] (Refer to Fig. M3), check the X Value by pushing the CH UP or DOWN buttons alternately, to check the symmetry of the envelope. Check the number of pushes to ensure center position. The number of pushes CH UP button to achieve 1/2 level of envelope should match the number of pushes CH DOWN button from center. If required, redo the "X Value Alignment."

1-D. Azimuth Alignment of Audio/Control/Erase Head

Purpose:

To correct the Azimuth alignment so that the Audio/Control/Erase Head meets tape tracks properly.

Symptom of Misalignment:

If the position of the Audio/Control/Erase Head is not properly aligned, the Audio S/N Ratio or Frequency Response will be poor.

- Connect the oscilloscope to the audio output jack on the rear side of the deck.
- Playback the alignment tape (FL6NS8) and confirm that the audio signal output level is 6kHz.
- Adjust Azimuth Adj. Screw so that the output level on the AC Voltmeter or the waveform on the oscilloscope is at maximum. (Fig. M6)

DISASSEMBLY/ASSEMBLY PROCEDURES OF DECK MECHANISM

Before following the procedures described below, be sure to remove the deck assembly from the cabinet. (Refer to CABINET DISASSEMBLY INSTRUCTIONS on page 1-7-1.)

All the following procedures, including those for adjustment and replacement of parts, should be done in Eject mode; see the positions of [44] and [45] in Fig. DM1 on page 2-4-3. When reassembling, follow the steps in reverse order.

STEP /LOC. No.	START-ING No.	PART		REMOVAL		INSTALLATION
				Fig. No.	REMOVE/*UNHOOK/ UNLOCK/RELEASE/ UNPLUG/DESOLDER	ADJUSTMENT CONDITION
[1]	[1]	Guide Holder A	T	DM3	2(S-1)	
[2]	[1]	Cassette Holder Assembly	T	DM4		
[3]	[2]	Slider (SP)	T	DM5	*(L-1), (S-1A)	
[4]	[2]	Slider (TU)	T	DM5	*(L-2)	
[5]	[4]	Lock Lever	T	DM5	*(L-3), *(P-1)	
[6]	[2]	Cassette Plate	T	DM5		
[7]	[7]	Cylinder Assembly	T	DM1,DM6	Desolder, 3(S-2)	
[8]	[8]	Loading Motor Assembly	T	DM1,DM7	Desolder, LDG Belt, 2(S-3)	
[9]	[9]	AC Head Assembly	T	DM1,DM7	(S-4)	
[10]	[2]	Tape Guide Arm Assembly	T	DM1,DM8	*(P-2)	
[11]	[10]	C Door Opener	T	DM1,DM8	*(L-4)	
[12]	[11]	Pinch Arm (B)	T	DM1,DM8	*(P-3)	
[13]	[12]	Pinch Arm Assembly	T	DM1,DM8		
[14]	[14]	FE Head Assembly	T	DM1,DM9	(S-5)	
[15]	[15]	Prism	T	DM1,DM9	(S-6)	
[16]	[2]	Slider Shaft	T	DM10	*(L-5)	
[17]	[16]	C Drive Lever (SP)	T	DM10		
[18]	[16]	C Drive Lever (TU)	T	DM10	(S-7),*(P-4)	
[19]	[19]	Capstan Motor	B	DM2,DM11	3(S-8), Cap Belt	
[20]	[20]	Clutch Assembly (HI)	B	DM2,DM12	(C-1)	
[21]	[20]	Center Gear	B	DM12		
[22]	[22]	F Brake Assembly (HI)	B	DM2,DM12	*(L-6)	
[23]	[22]	Worm Holder	B	DM2,DM13	(S-9),*(L-7),*(L-8)	
[24]	[22]	Pulley Assembly (HI)	B	DM2,DM13		
[25]	[25]	Mode Gear	B	DM2,DM13	(C-2)	
[26]	[20],[25]	Mode Lever (HI)	B	DM2,DM13	(C-3)	
[27]	[22],[23], [26]	Cam Gear (A) (HI)	B	DM2,DM13	(C-4)	(+)Refer to Alignment Sec.Pg.2-4-8
[28]	[26]	TR Gear C	B	DM2,DM13	(C-5)	
[29]	[28]	TR Gear Spring	B	DM13		
[30]	[29]	TR Gear A/B	B	DM13		
[31]	[31]	FF Arm (HI)	B	DM1,DM13		
[32]	[26]	Idler Assembly (HI)	B	DM1,DM14	*(L-9)	
[33]	[26]	BT Arm	B	DM2,DM14	*(P-5)	

STEP /LOC. No.	START-ING No.	PART		REMOVAL		INSTALLATION
				Fig. No.	REMOVE/*UNHOOK/ UNLOCK/RELEASE/ UNPLUG/DESOLDER	ADJUSTMENT CONDITION
[34]	[26]	Loading Arm (SP) Assembly	B	DM2,DM14		(+)Refer to Alignment Sec.Pg.2-4-8
[35]	[34]	Loading Arm (TU) Assembly	B	DM2,DM14		(+)Refer to Alignment Sec.Pg.2-4-8
[36]	[16],[26]	M Brake (TU) Assembly (HI)	T	DM1,DM15		
[37]	[2],[26]	M Brake (SP) Assembly (HI)	T	DM1,DM15	*(P-6)	
[38]	[37]	Tension Lever Assembly	T	DM1,DM15		
[39]	[38]	T Lever Holder	T	DM15	*(L-10)	
[40]	[40]	M Gear (HI)	T	DM1,DM15	(C-6)	
[41]	[15],[40]	Sensor Gear (HI)	T	DM1,DM15	(C-7)	
[42]	[36],[40]	Reel T	T	DM1,DM15		
[43]	[38]	Reel S	T	DM1,DM15		
[44]	[34],[38]	Moving Guide S Preparation	T	DM1,DM16		
[45]	[35]	Moving Guide T Preparation	T	DM1,DM16		
[46]	[19]	TG Post Assembly	T	DM1,DM16	*(L-11)	
[47]	[27]	Rack Assembly	R	DM17		(+)Refer to Alignment Sec.Pg.2-4-8
[48]	[47]	F Door Opener	R	DM17		
[49]	[49]	Cleaner Assembly	T	DM1,DM6		
[50]	[49]	CL Post	T	DM6	*(L-12)	

(1)

(2)

(3)

(4)

(5)

(6)

(7)

(1): Follow steps in sequence. When reassembling, follow the steps in reverse order.

These numbers are also used as identification (location) No. of parts in the figures.

(2): Indicates the part to start disassembling with in order to disassemble the part in column (1).

(3): Name of the part

(4): Location of the part: T=Top B=Bottom R=Right L=Left

(5): Figure Number

(6): Identification of parts to be removed, unhooked, unlocked, released, unplugged, unclamped, or desoldered.

P=Spring, W=Washer, C=Cut Washer, S=Screw, *=Unhook, Unlock, Release, Unplug, or Desolder

e.g., 2(L-2) = two Locking Tabs (L-2).

(7): Adjustment Information for Installation

(+):Refer to Deck Exploded Views for lubrication.

Top View

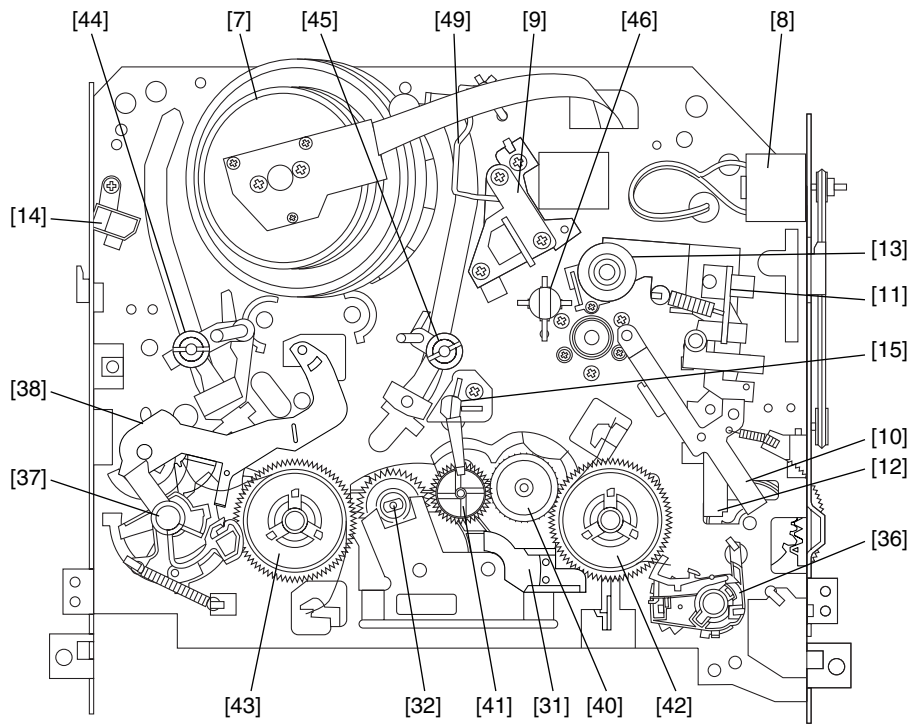


Fig. DM1

Bottom View

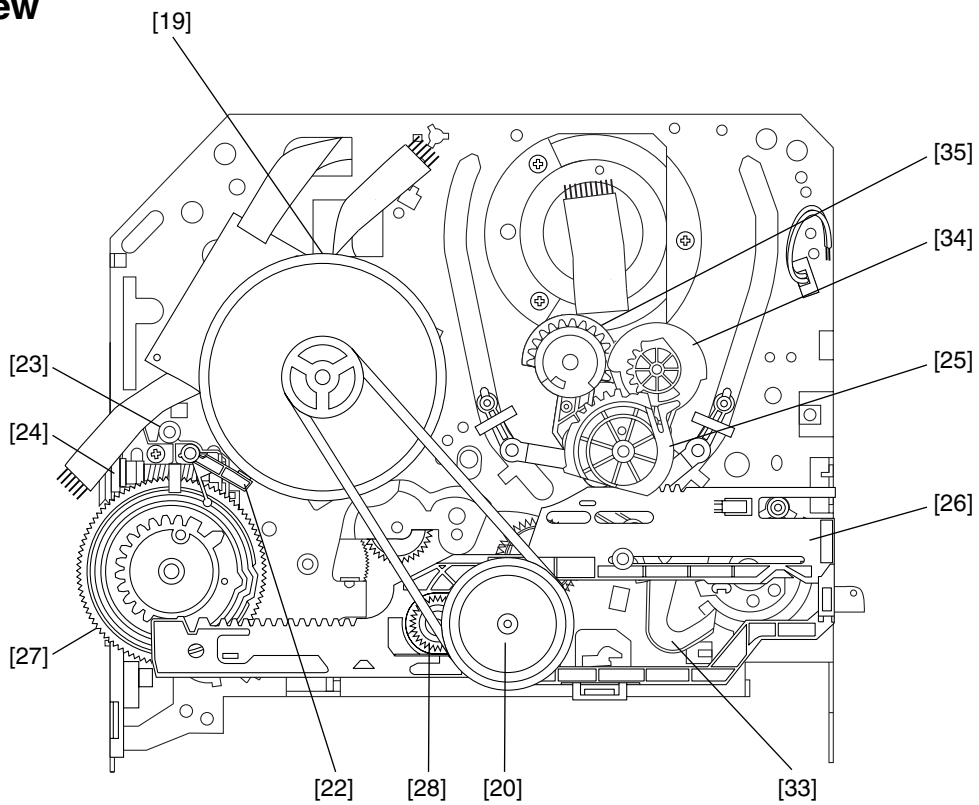


Fig. DM2

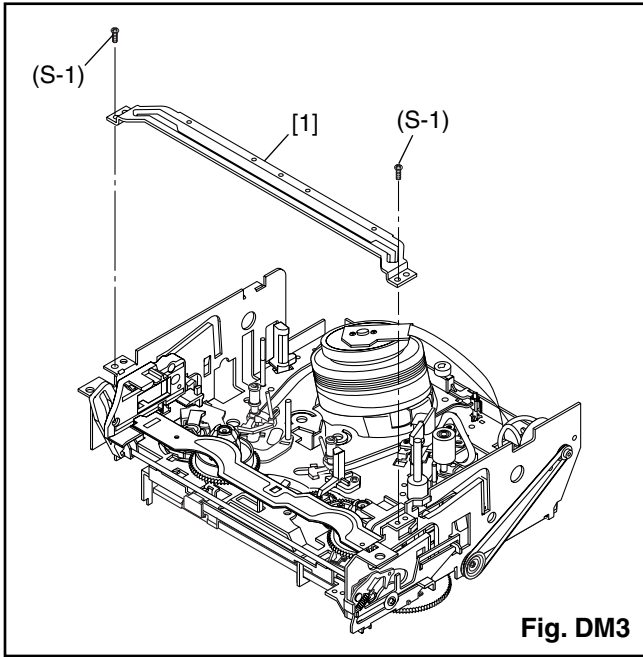


Fig. DM3

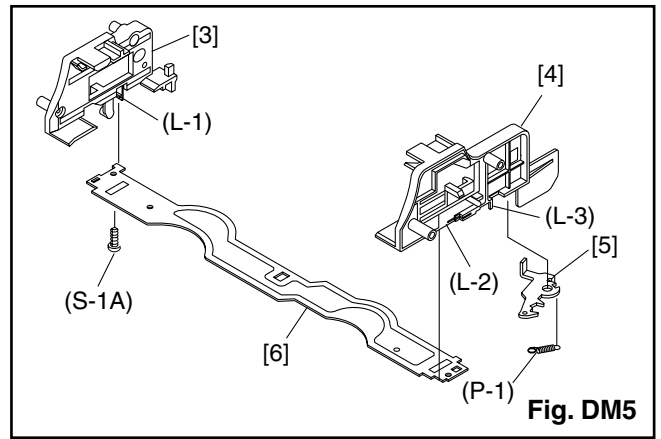


Fig. DM5

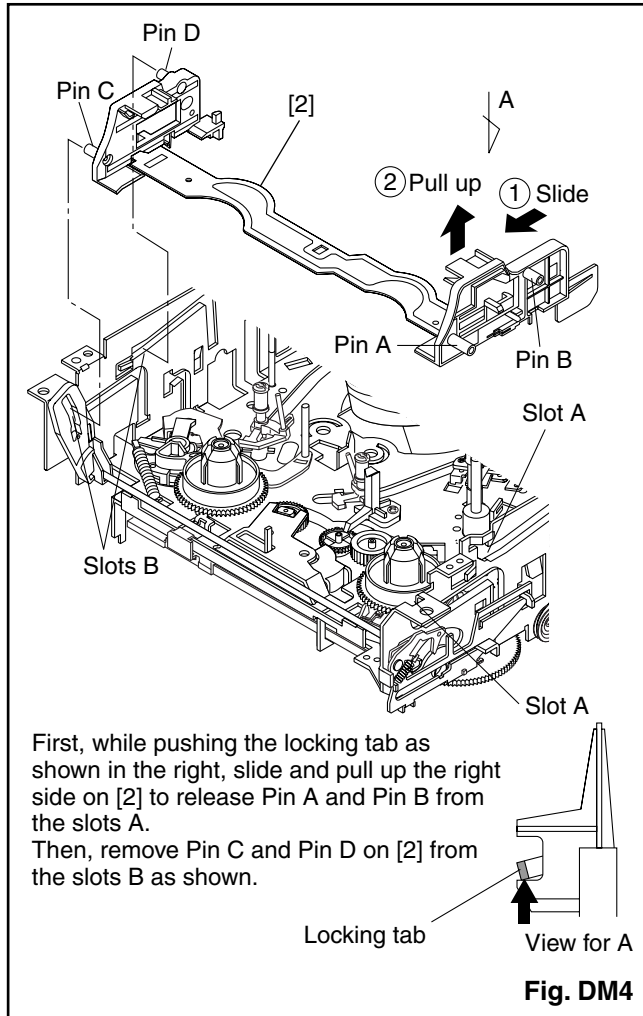


Fig. DM4

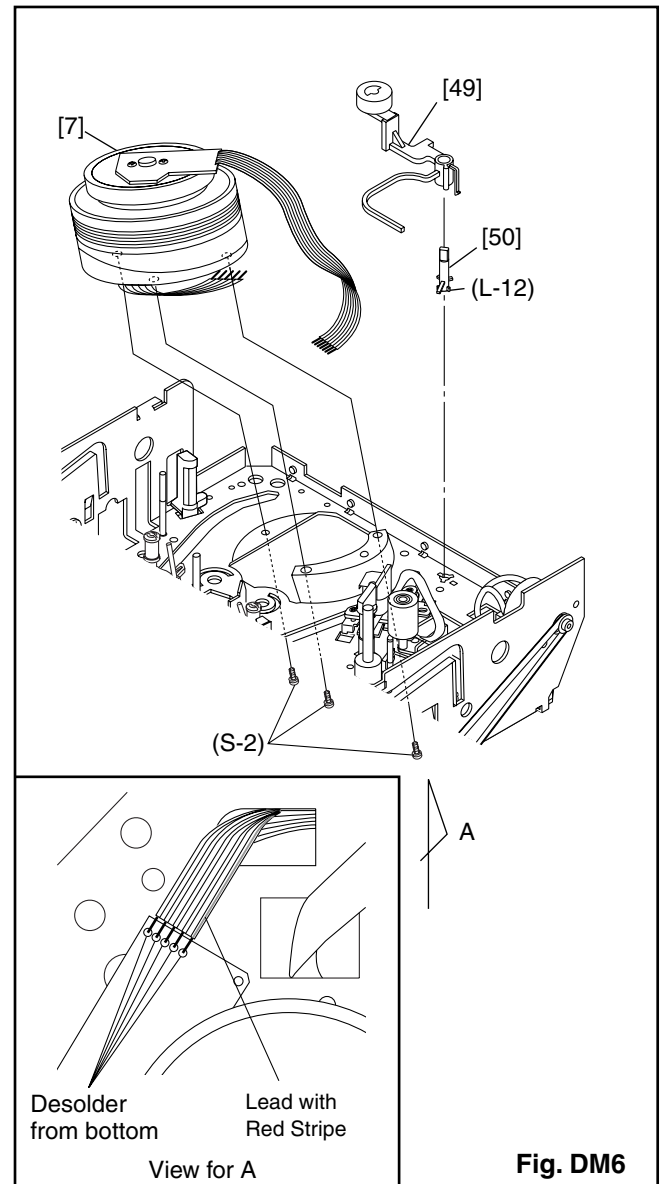
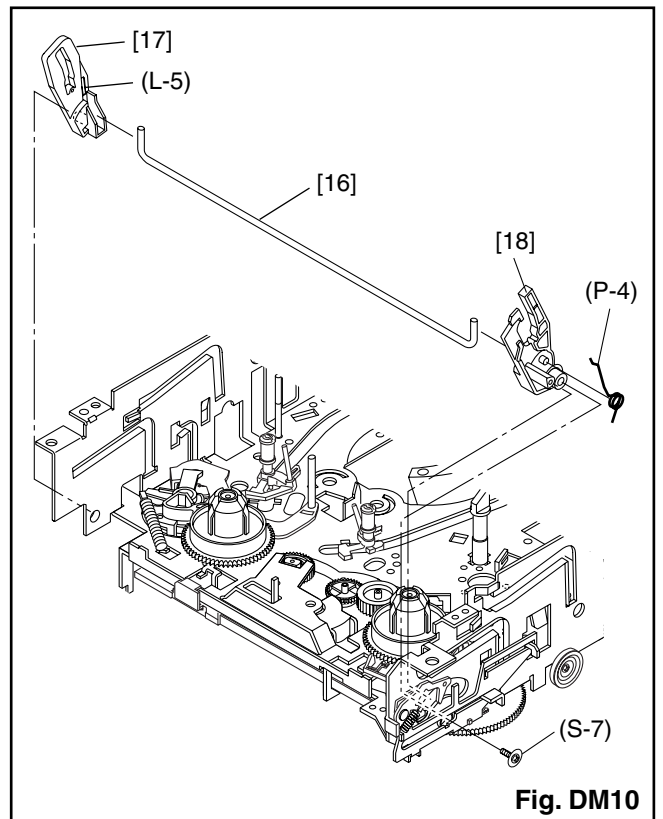
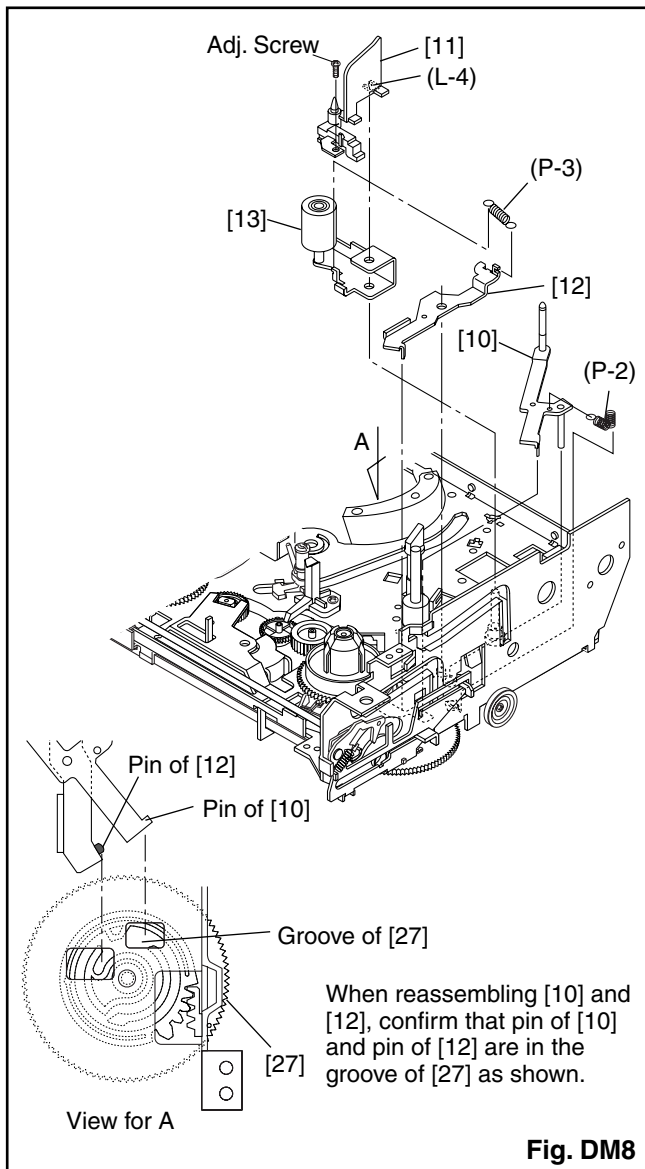
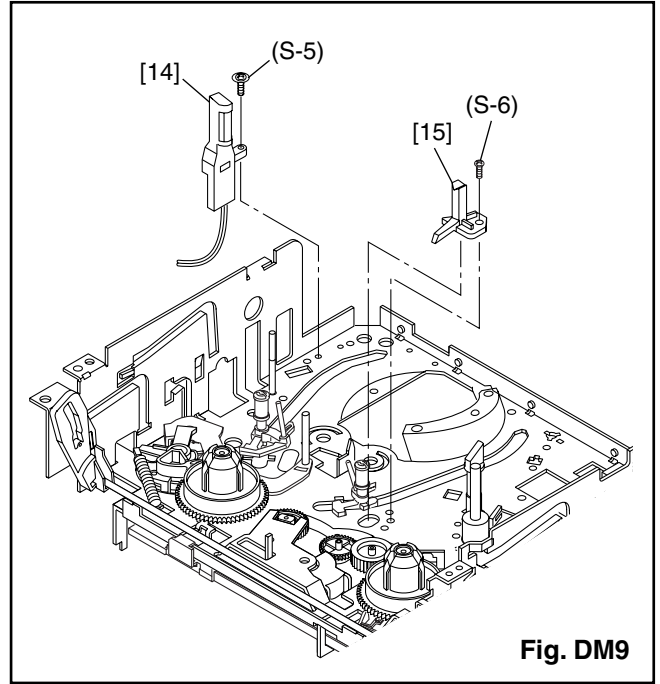
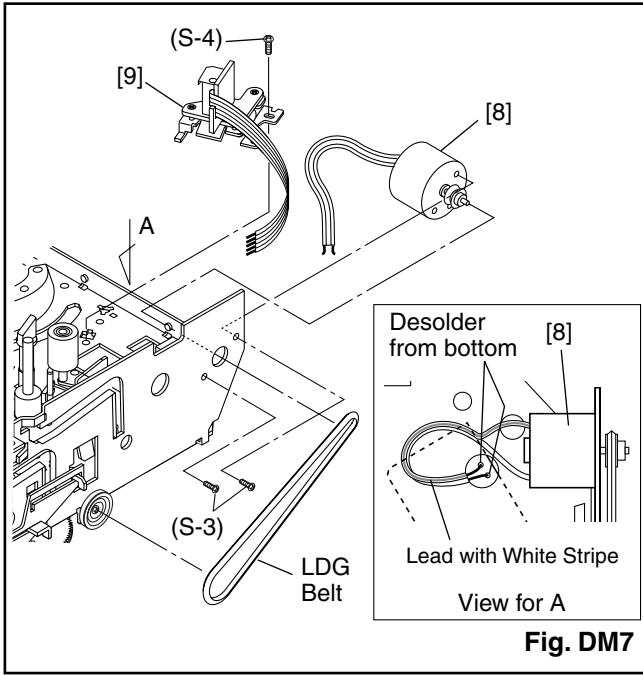
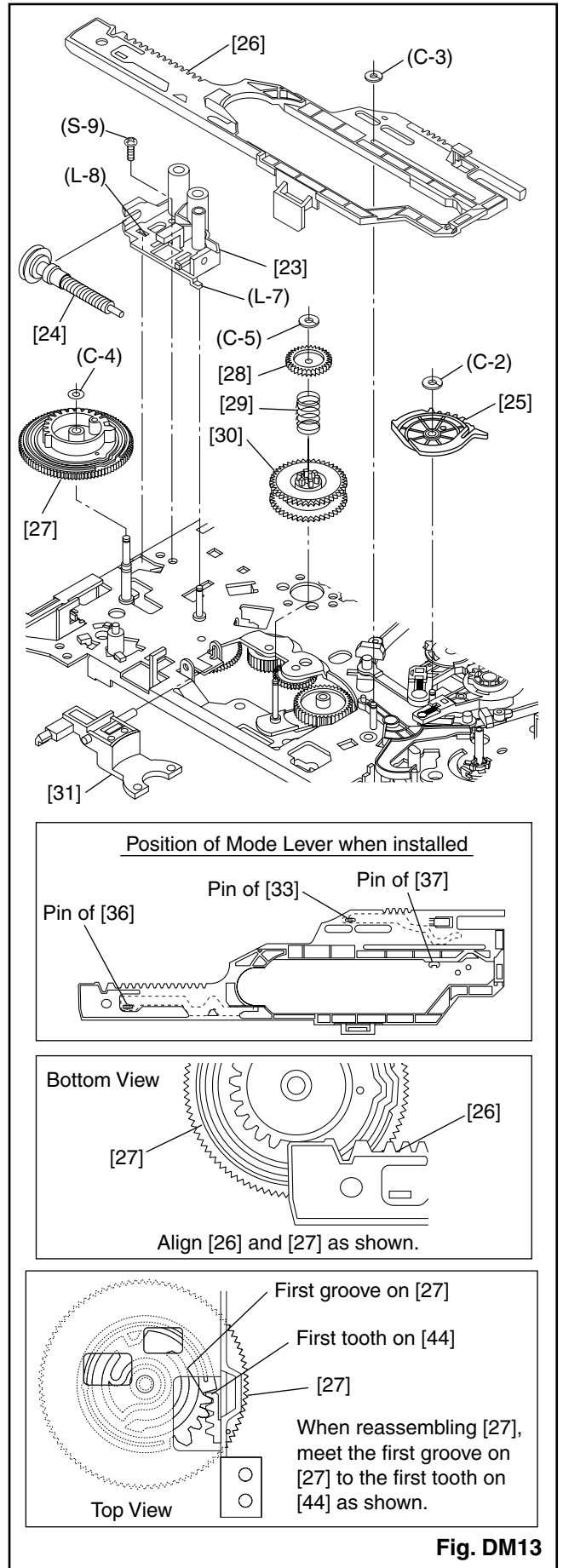
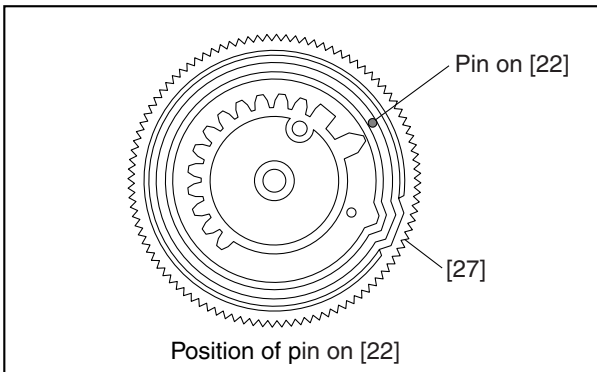
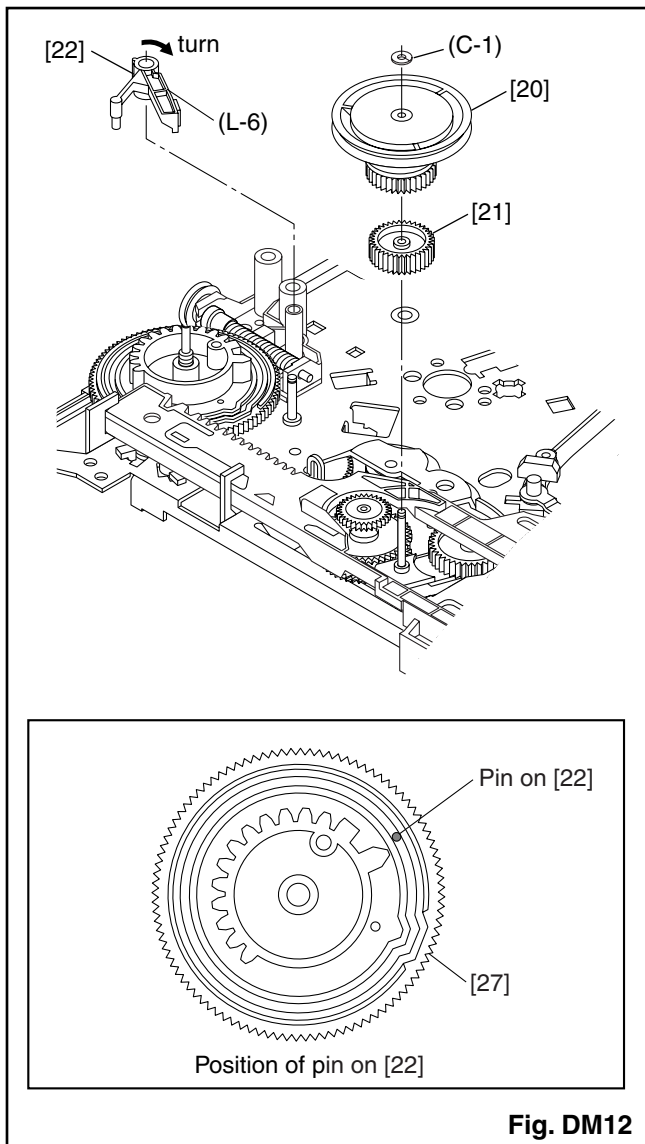
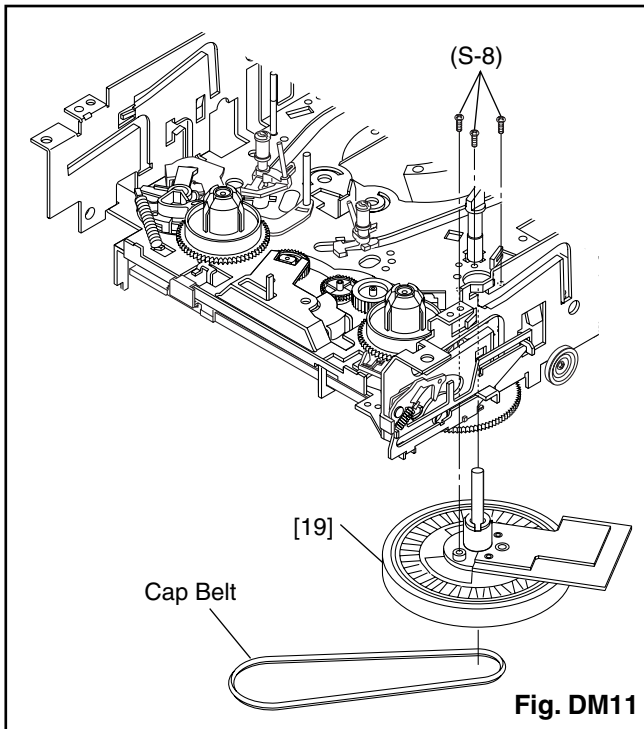
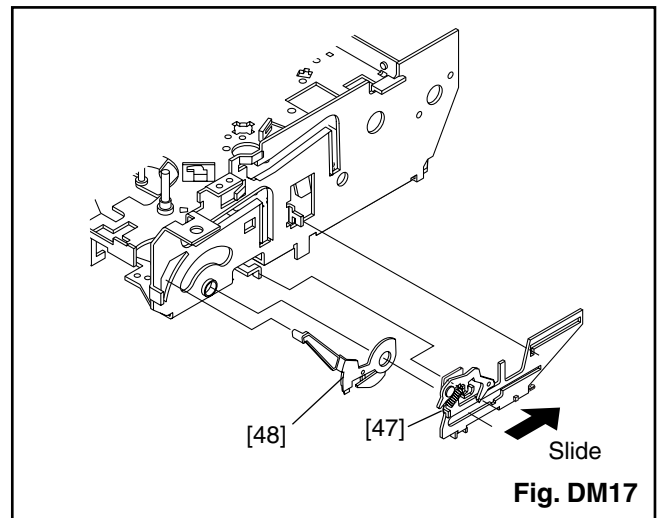
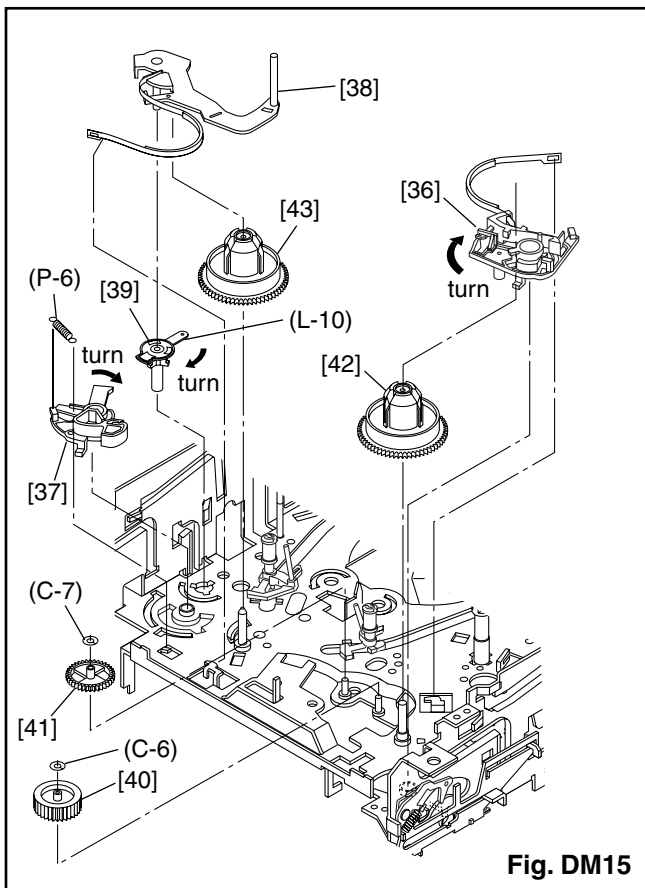
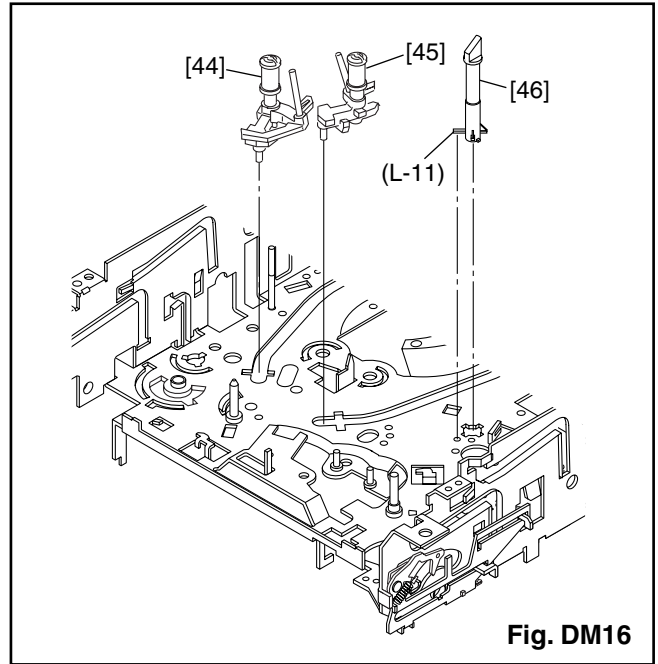
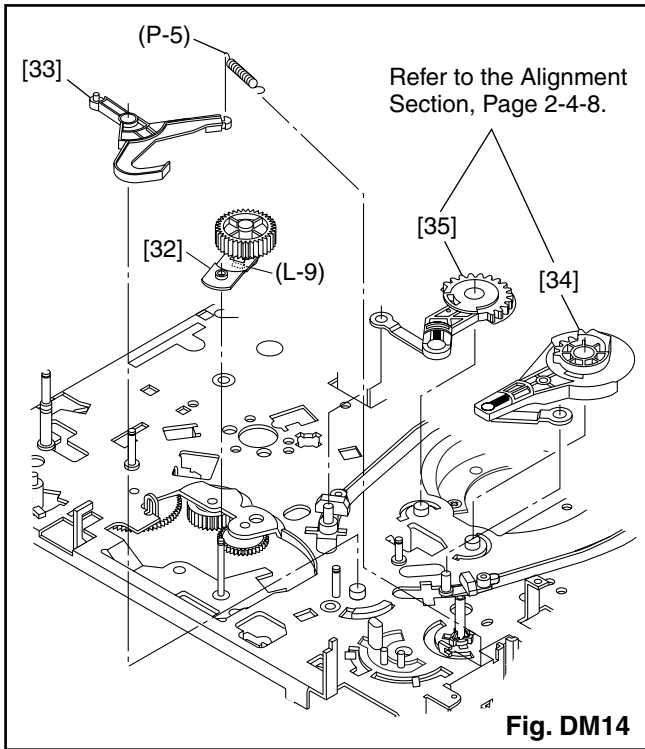


Fig. DM6







ALIGNMENT PROCEDURES OF MECHANISM

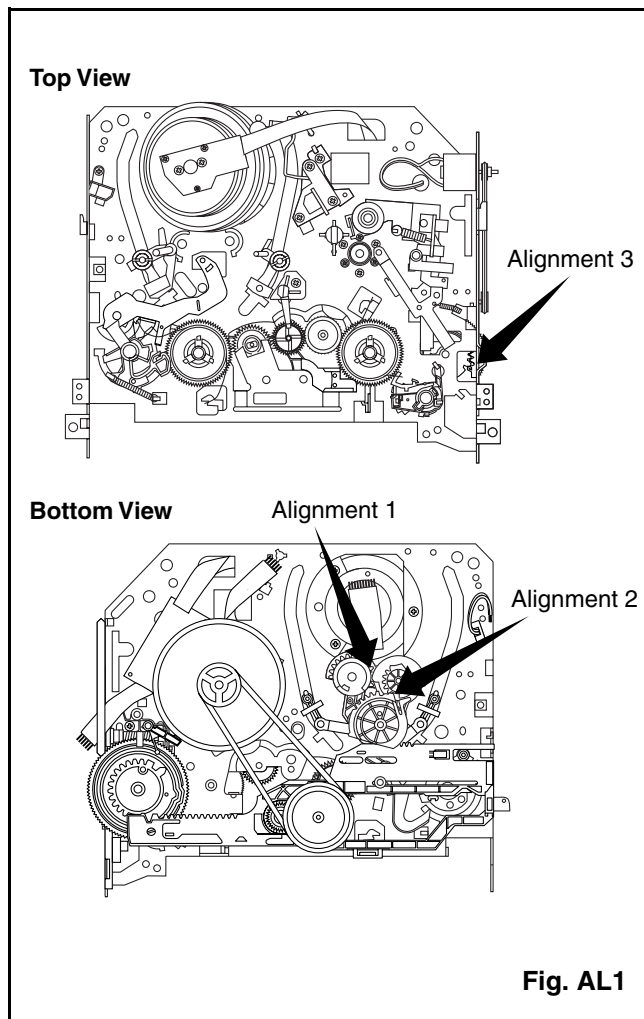
The following procedures describe how to align the individual gears and levers that make up the tape loading/unloading mechanism. Since information about the state of the mechanism is provided to the System Control Circuit only through the Mode Switch, it is essential that the correct relationship between individual gears and levers be maintained.

All alignments are to be performed with the mechanism in Eject mode, in the sequence given. Each procedure assumes that all previous procedures have been completed.

IMPORTANT:

If any one of these alignments is not performed properly, even if off by only one tooth, the unit will unload or stop and it may result in damage to the mechanical or electrical parts.

Alignment points in Eject Position



Alignment 1

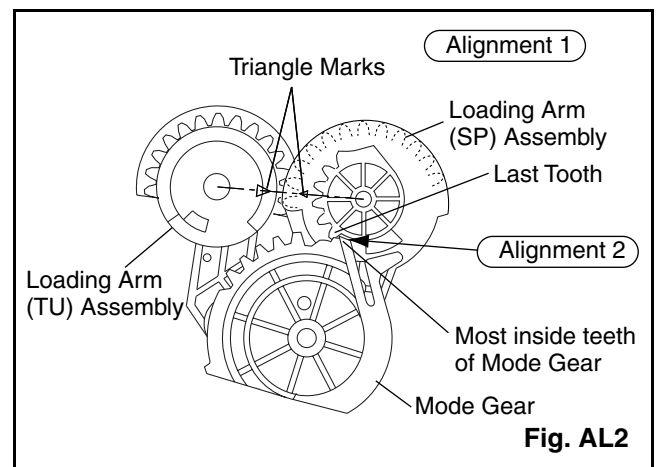
Loading Arm (SP) and (TU) Assembly

Install Loading Arm (SP) and (TU) Assembly so that their triangle marks point to each other as shown in Fig. AL2.

Alignment 2

Mode Gear

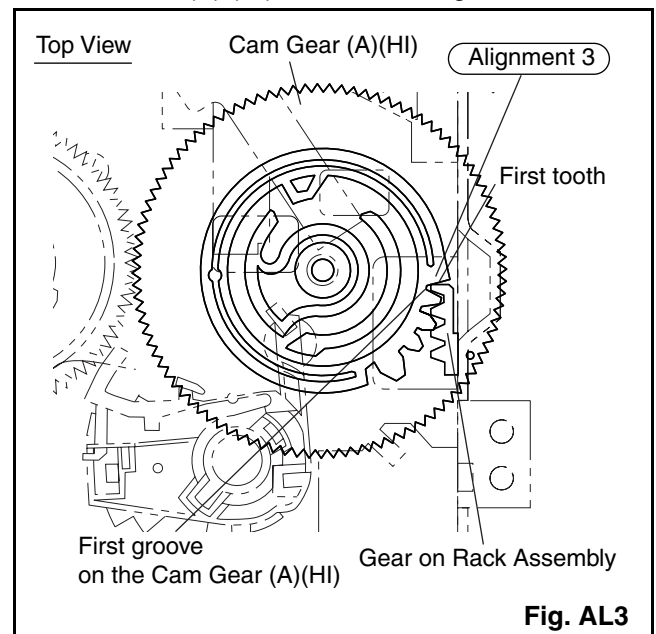
Keeping the two triangles pointing at each other, install the Loading Arm (SP) Assembly so that the last tooth of the gear meets the most inside teeth of the Mode Gear. See Fig. AL2.



Alignment 3

Cam Gear (A) (HI), Rack Assembly

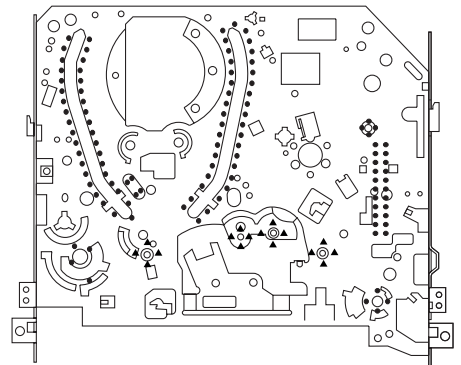
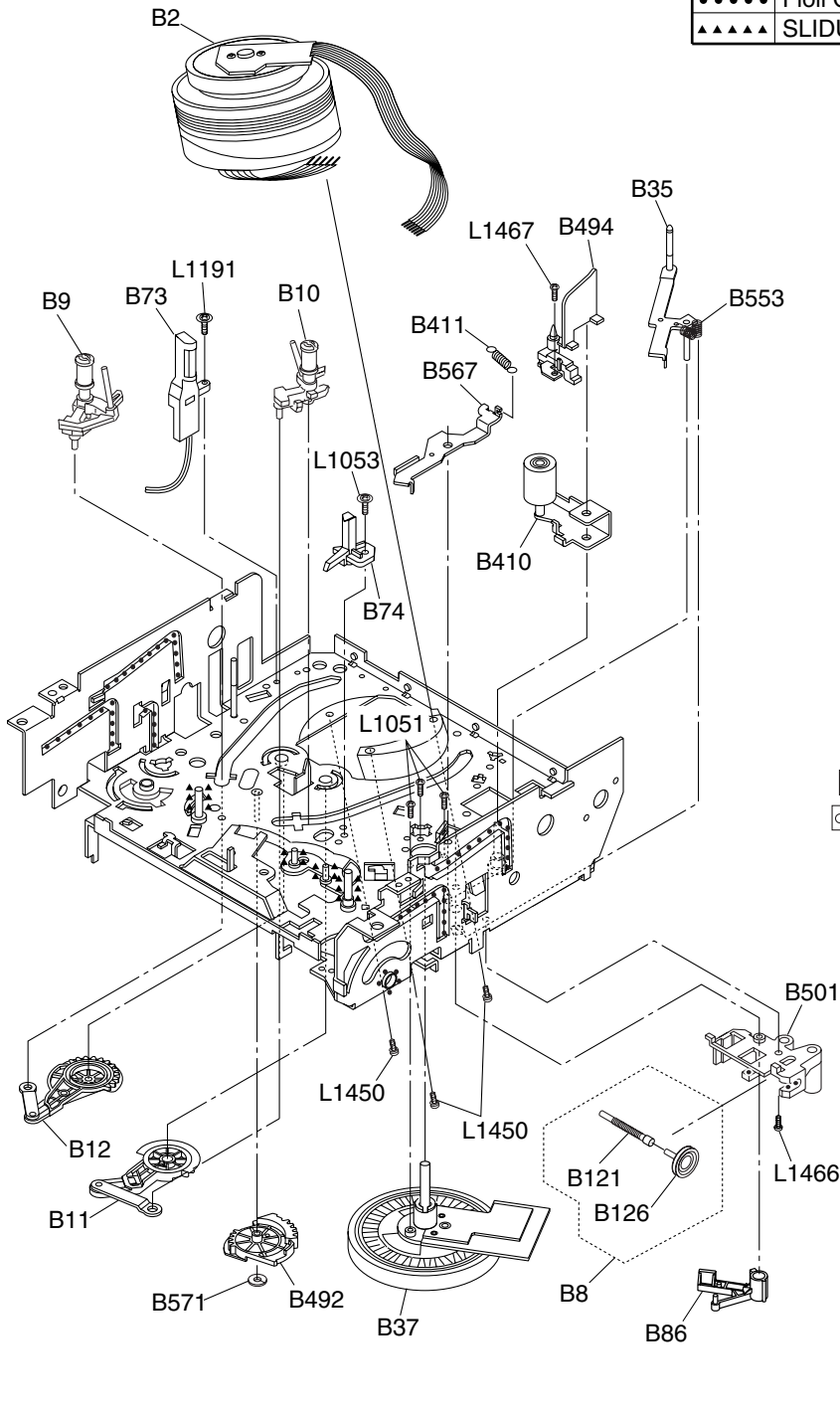
Install the Rack Assembly so that the first tooth on the gear of the Rack Assembly meets the first groove on the Cam Gear (A) (HI) as shown in Fig. AL3.



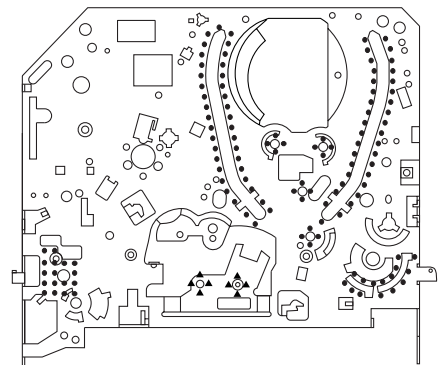
DECK EXPLODED VIEWS

Deck Mechanism View 1

Mark	Description
•••••	Floil G-684G or Multemp MH-D (Blue grease)
▲▲▲▲▲	SLIDUS OIL #150



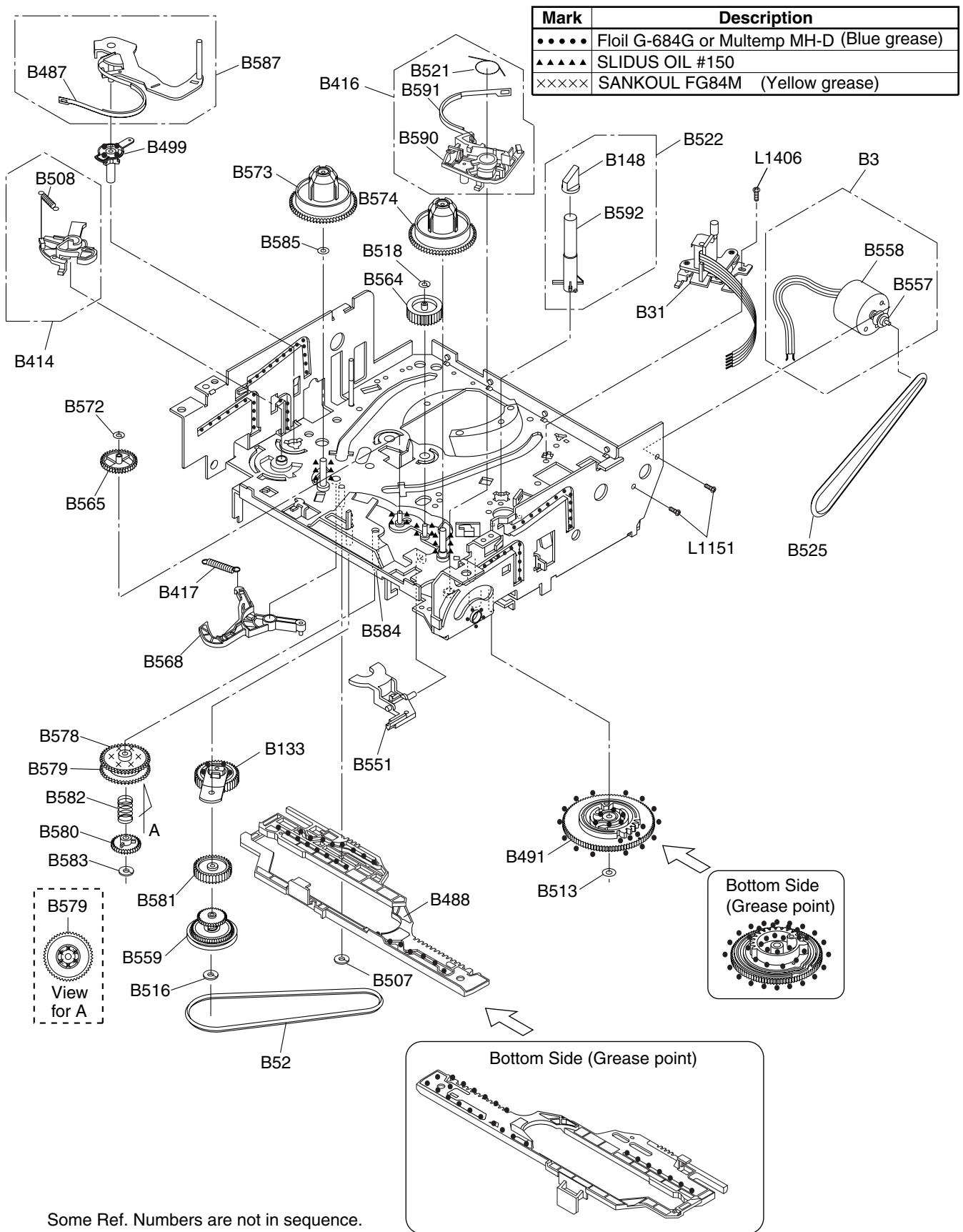
Chassis Assembly
Top View (Lubricating Point)



Chassis Assembly
Bottom View (Lubricating Point)

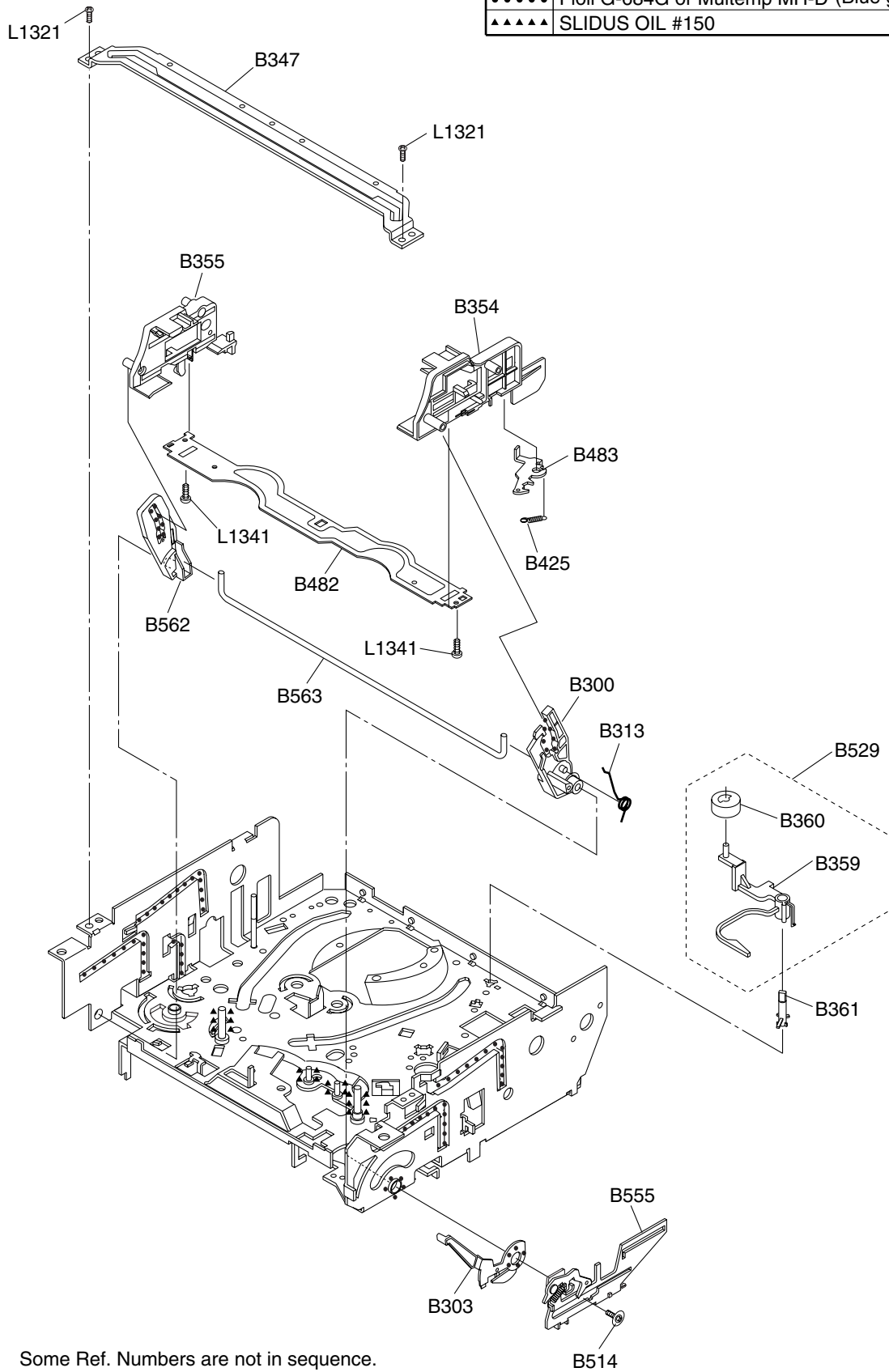
Some Ref. Numbers are not in sequence.

Deck Mechanism View 2



Deck Mechanism View 3

Mark	Description
•••••	Floil G-684G or Multemp MH-D (Blue grease)
▲▲▲▲▲	SLIDUS OIL #150



DECK PARTS LIST

NOTE:

Four different, but interchangeable, types of B558 (LOADING MOTOR) may be installed in these models. Please confirm B558 (LOADING MOTOR) type by a part number on it. B558 (LOADING MOTOR) type varies in combination with L1151. Please see Table 1 for details and combination.

Table 1 (B558 and L1151 Combination)

LOADING MOTOR (B558)		SCREW (L1151)	
Description	Parts No.	Description	Parts No.
LOADING MOTOR M31E-1 R-14 7376	MMDZB12MM003	SCREW, SEMS M2.6X4 PAN HEAD+	CPM39040
LOADING MOTOR M31E-1 R-14 7391	MMDZB12MM004		
LOADING MOTOR MDB2B80	MMDZB12SJ008	SCREW, SEMS M3X4 PAN HEAD+	CPM33040
LOADING MOTOR MDB2B82	MMDZB10SJ001		

Comparison Chart of Models and Marks

Model	Mark
DVD757VR/00	A
DVD757VR/05	B
DVD757VR/02	C

Ref. No.	Description	Part No.	A	B	C
B2	CYLINDER ASSEMBLY MK12 PAL 4HD HIFI or CYLINDER ASSEMBLY(V) MK12 PAL 4HD HIFI	N1767CYL N1769CYL	1	1	1
B3	LOADING MOTOR ASSEMBLY MK11 TVCR	0VSA13465	1	1	1
B8	PULLEY ASSEMBLY(HI) MK12	0VSA13501	1	1	1
B9	MOVING GUIDE S PREPARATION MK12	0VSA13560	1	1	1
B10	MOVING GUIDE T PREPARATION MK12	0VSA13562	1	1	1
B11	LOADING ARM(TU) ASSEMBLY MK12	0VSA13300	1	1	1
B12	LOADING ARM(SP) ASSEMBLY MK12	0VSA13299	1	1	1
B31	AC HEAD ASSEMBLY MK12	0VSA13275	1	1	1
B35	TAPE GUIDE ARM ASSEMBLY MK12	0VSA13277	1	1	1
B37	CAPSTAN MOTOR 288/VCCM012	N9671CML	1	1	1
B52	CAP BELT MK10	0VM411138	1	1	1
B73	FE HEAD ASSEMBLY MK11 or FE HEAD ASSEMBLY MK11 or FE HEAD(MK11) MH-131SF11 or FE HEAD(MK11) VTR-1X2ERS11-148 or FE HEAD(MK12) VTR-1X2ERS11-155 or FE HEAD(MK12) HVFHP0047A	N9742FEL N9743FEL DHVEC01Z0005 DHVEC01TE004 DHVEC01TE005 DHVEC01AL007	1	1	1
B74	PRISM MK10	0VM202870	1	1	1
B86	F BRAKE ASSEMBLY(HI) MK12	0VSA13447	1	1	1
B121	WORM MK12	0VM414091	1	1	1
B126	PULLEY MK12	0VM414330B	1	1	1
B133	IDLER ASSEMBLY(HI) MK12	0VSA13451	1	1	1
B148	TG CAP MK6	0VM407664C	1	1	1
B300	C DRIVE LEVER(TU) MK12	0VM203773	1	1	1
B303	F DOOR OPENER MK12 or	0VM203751C	1	1	1

Ref. No.	Description	Part No.	A	B	C
	F DOOR OPENER MK12	0VM203751	1	1	1
B313	C DRIVE SPRING MK12	0VM414145	1	1	1
B347	GUIDE HOLDER A MK10	0VM304920	1	1	1
B354	SLIDER(TU) MK12	0VM101172F	1	1	1
B355	SLIDER(SP) MK12 or SLIDER(SP) SUB ASSEMBLY MK12 or SLIDER(SP) MK12	0VM101182F 0VDM12542 0VM101182H	1	1	1
B359	CLEANER LEVER MK10	0VM304413	1	1	1
B360	CLEANER ROLLER MK9	0VM410032C	1	1	1
B361	CL POST MK10	0VM411114	1	1	1
B410	PINCH ARM(A) ASSEMBLY(4) MK12 or PINCH ARM(A) ASSEMBLY(5) MK12	0VSA13572 0VSA13788	1	1	1
B411	PINCH SPRING MK12	0VM414644	1	1	1
B414	M BRAKE(SP) ASSEMBLY(HI) MK12	0VSA13655	1	1	1
B416	M BRAKE(TU) ASSEMBLY(HI) MK12	0VSA13449	1	1	1
B417	TENSION SPG(3002654) MK12	0VM414221E	1	1	1
B425	LOCK LEVER SPRING MK10	0VM411110	1	1	1
B482	CASSETTE PLATE MK12	0VM203749	1	1	1
B483	LOCK LEVER MK12	0VM414095	1	1	1
B487	BAND BRAKE(SP) MK12	0VM305723	1	1	1
B488	MODE LEVER(HI) MK12	0VM101175J	1	1	1
B491	CAM GEAR(A)(HI) MK12	0VM101176	1	1	1
B492	MODE GEAR(LM) MK12	0VM204236	1	1	1
B494	C DOOR OPENER MK12	0VM305719	1	1	1
B499	T LEVER HOLDER MK12	0VM305729	1	1	1
B501	WORM HOLDER MK12	0VM203767	1	1	1
B507	REEL WASHER MK9 5*2.1*0.5	0VM410058	1	1	1
B508	S BRAKE SPRING(HI) MK12	0VM414899	1	1	1
B513	P.S.W F 6*2.55*0.5	0VM402629A	1	1	1
B514	SCREW RACK MK10	0VM411535	1	1	1
B516	REEL WASHER MK9 5*2.1*0.5	0VM410058	1	1	1
B518	P.S.W CUT 1.6X4.0X0.5T	0VM408485A	1	1	1
B521	REV BRAKE SPG(HI) MK12	0VM414943	1	1	1
B522	TG POST ASSEMBLY MK10	0VSA11012	1	1	1
B525	LDG BELT MK11	0VM412804	1	1	1
B529	CLEANER ASSEMBLY MK10	0VSA11161	1	1	1
B551	FF ARM(HI) MK12	0VM306183	1	1	1
B553	REV SPRING MK11	0VM412555	1	1	1
B555	RACK ASSEMBLY MK12	0VSA13289	1	1	1
B557	MOTOR PULLEY U5	0VM403205A	1	1	1
B558	LOADING MOTOR MDB2B82 or LOADING MOTOR MDB2B80 or LOADING MOTOR M31E-1 R-14 7376 or LOADING MOTOR M31E-1 R14 7391	MMDZB10SJ001 MMDZB12SJ008 MMDZB12MM003 MMDZB12MM004	1	1	1
B559	CLUTCH ASSEMBLY(HI) MK12	0VSA13450	1	1	1
B562	C DRIVE LEVER(SP) MK12	0VM203772	1	1	1
B563	SLIDER SHAFT MK12	0VM305762	1	1	1
B564	M GEAR(HI) MK12	0VM305755	1	1	1
B565	SENSOR GEAR(HI) MK12	0VM305756	1	1	1
B567	PINCH ARM(B) MK12	0VM305718	1	1	1
B568	BT ARM MK12	0VM305728	1	1	1
B571	P.S.W CUT 1.6X4.0X0.5T	0VM408485A	1	1	1
B572	P.S.W CUT 1.6X4.0X0.5T	0VM408485A	1	1	1
B573	REEL S MK11	0VM203436	1	1	1
B574	REEL T MK10	0VM202872C	1	1	1
B578	TR GEAR A MK10	0VM304440	1	1	1
B579	TR GEAR B MK12	0VM305900	1	1	1

Ref. No.	Description	Part No.	A	B	C
B580	TR GEAR C MK12	OVM305743A	1	1	1
B581	CENTER GEAR MK11	OVM305081	1	1	1
B582	TR GEAR SPRING MK10	OVM411187C	1	1	1
B583	CAM WASHER MK12	OVM414741	1	1	1
B584	TR GEAR SHAFT MK10	OVM411186	1	1	1
B585	PSW(317505) MK11	OVM413663	1	1	1
B587	TENSION LEVER ASSEMBLY MK12	OVSA13279	1	1	1
B590	BRAKE ARM(TU) MK12	OVM203752E	1	1	1
B591	BAND BRAKE(TU) MK12	OVM305724C	1	1	1
B592	TG POST MK10	OVM411108E	1	1	1
L1051	SCREW, B-TIGHT M2.6X6 PAN HEAD+	GPMB9060	1	1	1
L1053	SCREW, S-TIGHT M2.6X8 WASHER HEAD+	GCMS9080	1	1	1
L1151	SCREW, SEMS M3X4 PAN HEAD + or	CPM33040	1	1	1
	SCREW, SEMS M2.6X4 PAN HEAD+	CPM39040	1	1	1
L1191	SCREW, S-TIGHT M2.6X8 WASHER HEAD+	GCMS9080	1	1	1
L1321	SCREW, S-TIGHT M3X6 BIND HEAD+	GBMS3060	1	1	1
L1341	SCREW, P-TIGHT M2X6 PAN HEAD+	GPMP2060	1	1	1
L1406	AC HEAD SCREW MK9	OVM410964	1	1	1
L1450	SCREW, SEMS M2.6X5 PAN HEAD+	CPM39050	1	1	1
L1466	SCREW, S-TIGHT M2.6X6 BIND HEAD+	GBMS9060	1	1	1
L1467	SCREW, S-TIGHT M2.6X5 WASHER HEAD+	GCMS9050	1	1	1

Spare Parts List

MECHANICAL

Various

1010	9965 000 19489	DVD MAIN CBA UNIT
1060	9965 000 19490	SENSOR CBA
1B1	9965 000 19477	DECK ASSEMBLY CZD012/ VM17E0
1B2	9965 000 19478	DVD MECHA 0838 VCDVM040
S7	9965 000 19485	21P PAD HC463FD
X1	9965 000 19486	REMOTE CONTROL UNIT 364/CRC007
X20!	9965 000 19488	OWNER'S MANUAL H9520ED /001
X20!	9965 000 19643	OWNER'S MANUAL H9522FD /021
X3	4822 320 50377	CONNECT. CABLE PAL
X3	9965 000 17134	RF CABLE CC1001020012010
X5	9965 000 14782	SCART CABLE 1.5M CE10130200857
X7	9965 000 15316	RCA CABLE LP-001-17
X7	9965 000 15354	RCA CABLE WPZ0102TM016

—|—

2B1	9965 000 19479	DECK PEDESTAL-1 H9400UD
2B18	9965 000 12400	FIBER, TOP CASE HC460ED
2B2	9965 000 19480	TOP BRACKET H9100UD
2B3	9965 000 19481	SIDE BRACKET H9100UD
2B40	9965 000 19484	INSULATOR H9500ED
2B6	9965 000 19482	DECK PEDESTAL-2 H9400UD
2B7	9965 000 19483	DECK PEDESTAL-3 H9400UD
A1X	9965 000 19487	FRONT ASSEMBLY H9520ED /001
A1X	9965 000 19641	FRONT ASSEMBLY H9522FD /021
A2	9965 000 19474	TOP COVER H9400UD
A20	9965 000 19476	PANEL, TRAY H9520ED
A3	9965 000 19642	CHASSIS(E4+U27) H9400UD
A4	9965 000 19475	PANEL, REAR H9520ED / 001/021

DECK ASSY

~

L1051	9965 000 05359	SCREW, M2.6X6 PAN HEAD+
L1053	9965 000 05375	SCREW, M2.6X8 WASHER HEAD+
L1151	4822 502 14013	M 3 X 4
L1151	9965 000 08642	SCREW, SEMS M2.6X4 PAN +
L1191	9965 000 05375	SCREW, M2.6X8 WASHER HEAD+
L1321	4822 502 14009	M 3 X 6
L1341	9965 000 19639	SCR, P-TIGHT 2X8 PAN HEAD +
L1406	9965 000 08643	AC HEAD SCREW MK9
L1450	4822 502 14671	SCREW M2.6X5
L1466	9965 000 05364	SCREW, M2.6X6 BIND HEAD+
L1467	9965 000 12251	SCREW, S-TIGHT M2.6X5 WASHER H
B10	9965 000 16633	MOVING GUIDE T PREPARATION MK1
B11	9965 000 16634	LOADING ARM(TU) ASSEMBLY MK12
B12	9965 000 16635	LOADING ARM(SP) ASSEMBLY MK12
B121	9965 000 16640	WORM MK12
B126	9965 000 18128	PULLEY MK12
B133	9965 000 16642	IDLER ASSEMBLY(HI) MK12
B148	4822 462 11189	TG CAP
B2	9965 000 16630	CYLINDER ASSEMBLY MK12 PAL 4HD

B2	9965 000 19632	CYLINDER ASSY(V) MK12 PAL 4HD
B3	9965 000 17217	LOADING MOTOR ASSEMBLY MK11 TV
B300	9965 000 16643	C DRIVE LEVER(TU) MK12
B303	9965 000 16644	F DOOR OPENER MK12
B303	9965 000 18129	F DOOR OPENER MK12
B31	9965 000 16636	AC HEAD ASSEMBLY MK12
B313	9965 000 16645	C DRIVE SPRING MK12
B347	9965 000 08445	GUIDE HOLDER MK10
B35	9965 000 16637	TAPE GUIDE ARM ASSEMBLY MK12
B354	9965 000 18130	SLIDER(TU) MK12
B355	9965 000 19634	SLIDER(SP) MK12
B359	9965 000 08449	CLEANER LEVER MK10
B360	9965 000 06561	CLEANER ROLLER MK9
B361	9965 000 08450	CL POST MK10
B37	9965 000 16638	CAPSTAN MOTOR 288/ VCCM012
B410	9965 000 16648	PINCH ARM(A) ASSEMBLY(4) MK12
B410	9965 000 19635	PINCH ARM(A) ASSY(5) MK12
B411	9965 000 16649	PINCH SPRING MK12
B414	9965 000 17218	M BRAKE(SP) ASSEMBLY(HI) MK12
B416	9965 000 16651	M BRAKE(TU) ASSEMBLY(HI) MK12
B417	9965 000 17197	TENSION SPG(3002654) MK12
B425	9965 000 08457	LOCK LEVER SPRING MK10
B482	9965 000 16653	CASSETTE PLATE MK12
B483	9965 000 16654	LOCK LEVER MK12
B487	9965 000 16655	BAND BRAKE(SP) MK12
B488	9965 000 18145	MODE LEVER(HI) MK12
B491	9965 000 16657	CAM GEAR(A)(HI) MK12
B492	9965 000 19636	MODE GEAR(LM) MK12
B494	9965 000 16659	C DOOR OPENER MK12
B499	9965 000 16660	T LEVER HOLDER MK12
B501	9965 000 16661	WORM HOLDER MK12
B507	9965 000 05342	REEL WASHER MK9 5*2.1*0.5
B508	9965 000 17219	S BRAKE SPRING(HI) MK12
B513	4822 532 13158	P.S.W. F
B514	9965 000 08641	S.CREW RACK MK10
B516	9965 000 05342	REEL WASHER MK9 5*2.1*0.5
B518	4822 532 13159	P.S.W. 1.6X4.0X0.5T
B52	9965 000 08593	CAP BELT MK10
B521	9965 000 17220	REV BRAKE SPG(HI) MK12
B522	9965 000 08483	TG POST ASSEMBLY MK10
B525	9965 000 12230	LDG BELT MK11
B529	9965 000 08504	CLEANER ASSEMBLY MK10
B551	9965 000 17221	FF ARM(HI) MK12
B553	9965 000 12233	REV SPRING MK11
B555	9965 000 16663	RACK ASSEMBLY MK12
B557	9965 000 08519	MOTOR PULLEY U5
B558	9965 000 17222	LOADING MOTOR MDB2B82
B558	9965 000 18131	LOADING MOTOR M31E-1 R14 7391
B558	9965 000 19637	LOADING MOTOR MDB2B80
B559	9965 000 16664	CLUTCH ASSEMBLY(HI) MK12
B562	9965 000 16665	C DRIVE LEVER(SP) MK12
B563	9965 000 16666	SLIDER SHAFT MK12
B564	9965 000 16667	M GEAR(HI) MK12
B565	9965 000 16668	SENSOR GEAR(HI) MK12
B567	9965 000 16669	PINCH ARM(B) MK12
B568	9965 000 16670	BT ARM MK12
B571	4822 532 13159	P.S.W. 1.6X4.0X0.5T
B572	4822 532 13159	P.S.W. 1.6X4.0X0.5T
B573	9965 000 12241	REEL S MK11
B574	9965 000 12376	REEL T MK10
B578	9965 000 12243	TR GEAR A MK10
B579	9965 000 16671	TR GEAR B MK12
B580	9965 000 19638	TR GEAR C MK12
B581	9965 000 16673	CENTER GEAR MK11
B582	9965 000 12247	TR GEAR SPRING MK10
B583	9965 000 17201	CAM WASHER MK12
B584	9965 000 12248	TR GEAR SHAFT MK10
B585	9965 000 13687	PSW(317505) MK11
B587	9965 000 16674	TENSION LEVER ASSEMBLY MK12
B590	9965 000 18132	BRAKE ARM(TU) MK12
B591	9965 000 17210	BAND BRAKE(TU) MK12

B592	9965 000 16678	TG POST MK10
B73	9965 000 12210	FE HEAD ASSEMBLY MK11
B73	9965 000 12896	FE HEAD ASS'Y MK11
B73	9965 000 19633	FE HEAD(MK11) MH- 131SF11
B74	9965 000 08555	PRISM MK10
B8	9965 000 16631	PULLEY ASSEMBLY(HI) MK12
B86	9965 000 16639	F BRAKE ASSEMBLY(HI) MK12
B9	9965 000 16632	MOVING GUIDE S PREPARATION MK1

MAIN PWB

Various

PS502	9965 000 12189	PHOTO INTERRUPTER RPI-302C70
SW20		
21	4822 276 13954	KSM0614B
SW20		
21	4822 276 14127	SKQSAF001A
SW20		
21	9965 000 19590	TACT SWITCH TC- 1104(H=9.5)
SW20		
22	4822 276 13954	KSM0614B
SW20		
22	4822 276 14127	SKQSAF001A
SW20		
22	9965 000 19590	TACT SWITCH TC- 1104(H=9.5)
SW50		
1	4822 276 13954	KSM0614B
SW50		
1	4822 276 14127	SKQSAF001A
SW50		
1	9965 000 19590	TACT SWITCH TC- 1104(H=9.5)
SW50		
6	9965 000 16625	LEAF SWITCH MXS01830MVPO
SW50		
7	9965 000 16626	ROTARY MODE SWITCH SSS-50MD
SW50		
7	9965 000 19591	ROTARY MODE SWITCH R8100245
SW60		
3	4822 276 13954	KSM0614B
SW60		
3	4822 276 14127	SKQSAF001A
SW60		
3	9965 000 19590	TACT SWITCH TC- 1104(H=9.5)
TU701	9965 000 12256	TUNER UNIT TMDZ2-731A
X2001	9965 000 19593	CER RES.(47PF) CSTLS4M00G56-A0
X301	4822 242 10695	Crystal 4.433 619 MHz
X301	9965 000 05629	X'TAL 4.433619MHZ
X501	9965 000 12194	X'TAL 12.000MHZ
X502	9965 000 12288	X'TAL 32.768KHZ(20PPM)
X502	9965 000 19592	X'TAL 32.768KHZ(20PPM)
— —		
2B54	9965 000 19552	PLATE, GROUND(MAIN) H9500ED
C056	9965 000 14863	ELECTROLYTIC CAP. 47UF/25V M
C056	9965 000 19553	ELCAP. 47UF/25V M
C057	9965 000 19554	ELCAP. 10UF/16V M
C058	9965 000 19555	ELCAP. 330UF/6.3V M
C058	9965 000 19556	ELCAP. 330UF/6.3V M
C063	9965 000 15244	ELECTROLYTIC CAP. 47UF/16V M
C063	9965 000 19557	ELCAP. 47UF/16V M
C104	9965 000 15246	ELECTROLYTIC CAP. 100UF/16V M
C1061	9965 000 19566	ELCAP. 2200UF/6.3V M
C107	9965 000 14862	ELECTROLYTIC CAP. 470UF/6.3V M
C107	9965 000 19558	ELCAP. 470UF/6.3V M
C117	9965 000 15289	ELECTROLYTIC CAP. 1UF/ 50V M
C117	9965 000 19559	ELCAP. 1UF/50V M

D110	9965 000 12178	ZENER DIODE DZ-11BSAT265	IC631	9965 000 12198	IC:VPS/PDC SLICER LC74793JM-TR	Q1351	4822 130 41306	2SC1815GR
D110	9965 000 19571	ZENER DIODE MTZJT-7711A	IC751	9965 000 02111	BU4053BCF	Q1351	9965 000 05643	TRANSISTOR 2SC2785(F)
D115	9965 000 12178	ZENER DIODE DZ-11BSAT265	IC751	9965 000 13852	IC:SWITCH TC4053BF(N) OR	Q1351	9965 000 09882	TRANSISTOR BN1L4M-T
D115	9965 000 19571	ZENER DIODE MTZJT-7711A	IC775	9965 000 12184	IC:COMPARATOR KIA339F EL	Q1351	9965 000 10994	2SC3199-GR/KTC3199-GR
D118	9965 000 12178	ZENER DIODE DZ-11BSAT265	IC775	9965 000 12410	IC:COMPARATOR LM339DT	Q1351	9965 000 19583	TRANSISTOR 2SC2785(H)
D118	9965 000 19571	ZENER DIODE MTZJT-7711A	Q051	4822 130 42371	2SA1020Y	Q1352	4822 130 10103	KTC3199Y
D119	9965 000 12178	ZENER DIODE DZ-11BSAT265	Q051	9965 000 12190	TRANSISTOR KTA1281(Y)	Q1352	4822 130 11647	2SC2785J
D119	9965 000 19571	ZENER DIODE MTZJT-7711A	Q052	4822 130 10098	KRC103M	Q1352	4822 130 41306	2SC1815GR
D121	9965 000 12178	ZENER DIODE DZ-11BSAT265	Q052	9965 000 05389	TRANSISTOR BA1F4M-T	Q1352	9965 000 05643	TRANSISTOR 2SC2785(F)
D121	9965 000 19571	ZENER DIODE MTZJT-7711A	Q053	4822 130 42292	2SC2120Y	Q1352	9965 000 10994	2SC3199-GR/KTC3199-GR
D1301	9965 000 05249	ZENER DIODE MTZJT-775.6B	Q053	9965 000 09287	TRANSISTOR 2SC536NG-NPA-AT	Q1352	9965 000 19583	TRANSISTOR 2SC2785(H)
D1301	9965 000 08622	ZENER DIODE DZ-5.6BSBT265	Q054	4822 130 10098	KRC103M	Q1502	4822 130 10098	KRC103M
D1401	9965 000 12178	ZENER DIODE DZ-11BSAT265	Q054	9965 000 05389	TRANSISTOR BA1F4M-T	Q1502	9965 000 05389	TRANSISTOR BA1F4M-T
D1401	9965 000 19571	ZENER DIODE MTZJT-7711A	Q055	4822 130 11013	KTC3199Y	Q1505	4822 130 10098	KRC103M
D1402	9965 000 12178	ZENER DIODE DZ-11BSAT265	Q055	4822 130 11647	2SC2785J	Q1505	9965 000 05389	TRANSISTOR BA1F4M-T
D1402	9965 000 19571	ZENER DIODE MTZJT-7711A	Q055	4822 130 41306	2SC1815GR	Q1506	4822 130 10098	KRC103M
D1501	4822 157 10332		Q055	9965 000 05643	TRANSISTOR 2SC2785(F)	Q1506	9965 000 05389	TRANSISTOR BA1F4M-T
D2009	4822 130 30621	1N4148	Q055	9965 000 09882	TRANSISTOR BN1L4M-T	Q2007	4822 130 10103	KTC3199Y
D2009	4822 130 32778	1SS133	Q055	4822 130 11647	2SC2785J	Q2007	4822 130 11647	2SC2785J
D2010	4822 130 30621	1N4148	Q055	4822 130 41306	2SC1815GR	Q2007	4822 130 41306	2SC1815GR
D2010	4822 130 32778	1SS133	Q055	9965 000 05643	TRANSISTOR 2SC2785(F)	Q2007	9965 000 05643	TRANSISTOR 2SC2785(F)
D301	4822 130 30621	1N4148	Q055	9965 000 09882	TRANSISTOR BN1L4M-T	Q2007	9965 000 09882	TRANSISTOR BN1L4M-T
D301	4822 130 32778	1SS133	Q055	9965 000 10994	2SC3199-GR/KTC3199-GR	Q2007	9965 000 10994	2SC3199-GR/KTC3199-GR
D301	4822 130 30621	1N4148	Q055	9965 000 19583	TRANSISTOR 2SC2785(H)	Q2007	9965 000 19583	TRANSISTOR 2SC2785(H)
D301	4822 130 32778	1SS133	Q056	9965 000 11122	KTC3205Y	Q301	9965 000 16622	CHIP TRANSISTOR KTA1504GR-RTK
D370	4822 130 32778	1SS133	Q056	9965 000 19584	TRANSISTOR 2SC3266-Y(TPE2)	Q301	9965 000 19585	CHIP TRANSISTOR KTA1504Y-RTK
D501	4822 130 82978	LTL-16KPE-P	Q057	4822 130 10145	KRA103M	Q302	4822 130 10103	KTC3199Y
D501	9965 000 08621	LED(RED) 204HD/E	Q057	9965 000 05389	TRANSISTOR BN1F4M-T	Q302	4822 130 11647	2SC2785J
D504	4822 130 82978	LTL-16KPE-P	Q058	4822 130 11101	2SA1015GR	Q302	4822 130 41306	2SC1815GR
D504	9965 000 08621	LED(RED) 204HD/E	Q058	4822 130 42959	2SA1015Y	Q302	9965 000 05643	TRANSISTOR 2SC2785(F)
D510	4822 130 30621	1N4148	Q059	9965 000 05389	TRANSISTOR BA1F4M-T	Q302	9965 000 09882	TRANSISTOR BN1L4M-T
D510	4822 130 32778	1SS133	Q104	4822 130 11101	2SA1015GR	Q302	9965 000 10994	2SC3199-GR/KTC3199-GR
D511	4822 130 10094	UZ7.5BSA	Q104	4822 130 42959	2SA1015Y	Q302	9965 000 19583	TRANSISTOR 2SC2785(H)
D511	9965 000 15309	ZENER DIODE DZ-7.5BSAT265	Q105	4822 130 10103	KTC3199Y	Q401	9965 000 12361	CHIP TRANSISTOR RN1511(TE85R)
D512	4822 130 30621	1N4148	Q105	4822 130 11647	2SC2785J	Q401	9965 000 16623	CHIP TRANSISTOR T148
D512	4822 130 32778	1SS133	Q105	4822 130 41306	2SC1815GR	Q403	4822 130 42292	2SC2120Y
D555	9965 000 05250	LED SIR-563ST3F P	Q105	9965 000 05643	TRANSISTOR 2SC2785(F)	Q404	4822 130 11101	2SA1015GR
D555	9965 000 05648	LED SIR-563ST3F Q	Q105	9965 000 09882	TRANSISTOR BN1L4M-T	Q404	4822 130 42959	2SA1015Y
D555	9965 000 19572	LED MIE-534A2	Q105	9965 000 10994	2SC3199-GR/KTC3199-GR	Q405	4822 130 10145	KRA103M
D611	4822 130 30621	1N4148	Q1052	4822 130 42292	2SC2120Y	Q405	9965 000 05388	TRANSISTOR BN1F4M-T
D611	4822 130 32778	1SS133	Q1053	4822 130 10462	KTA1267-GR	Q406	9965 000 13683	CHIP TRANSISTOR KTC3875Y-RTK
D612	4822 130 30621	1N4148	Q1053	4822 130 11646	2SA1175J	Q451	9965 000 16624	CHIP TRANSISTOR KRC103S RTK
D612	4822 130 32778	1SS133	Q1053	4822 130 63144	2SA1267(YG)	Q451	9965 000 19586	CHIP TRANSISTOR FA1F4M-T1B
D613	4822 130 30621	1N4148	Q1053	9965 000 05644	TRANSISTOR 2SA1175(F)	Q502	4822 130 10103	KTC3199Y
D613	4822 130 32778	1SS133	Q1053	9965 000 19587	TRANSISTOR 2SA1175(H)	Q502	4822 130 11647	2SC2785J
D701	4822 130 81729	MTZJ33D	Q1054	4822 130 10103	KTC3199Y	Q502	4822 130 41306	2SC1815GR
D701	9965 000 09183	ZENER DIODE DZ-33BSDT265	Q1054	4822 130 11647	2SC2785J	Q502	9965 000 05643	TRANSISTOR 2SC2785(F)
D751	9965 000 05248	ZENER DIODE MTZJT-778.2A	Q1054	4822 130 41306	2SC1815GR	Q502	9965 000 09882	TRANSISTOR BN1L4M-T
D751	9965 000 15310	ZENER DIODE DZ-8.2BSAT265	Q1054	9965 000 05643	TRANSISTOR 2SC2785(F)	Q502	9965 000 05643	TRANSISTOR 2SC2785(F)
			Q1054	9965 000 09882	TRANSISTOR BN1L4M-T	Q502	9965 000 09882	TRANSISTOR BN1L4M-T
			Q1054	9965 000 10994	2SC3199-GR/KTC3199-GR	Q502	9965 000 10994	2SC3199-GR/KTC3199-GR
			Q1054	9965 000 19583	TRANSISTOR 2SC2785(H)	Q502	9965 000 19583	TRANSISTOR 2SC2785(H)
			Q1055	4822 130 10103	KTC3199Y	Q506	9965 000 08630	PHOTO TRANSISTOR PT204-6B-12
			Q1055	4822 130 42292	2SC2120Y	Q506	9965 000 18096	PHOTO TRANSISTOR MID-32A22
			Q1056	4822 130 63485	KTC3198-Y	Q507	4822 130 10103	KTC3199Y
			Q1056	4822 130 63773	KTC3198-GR	Q507	4822 130 11647	2SC2785J
			Q1057	4822 130 11691	KRA110M	Q507	4822 130 41306	2SC1815GR
			Q1057	9965 000 19588	RES. BUILT-IN TR BN1L3Z(P)	Q507	9965 000 05643	TRANSISTOR 2SC2785(F)
			Q1058	4822 130 10462	KTA1267-GR	Q508	9965 000 09882	TRANSISTOR BN1L4M-T
			Q1058	4822 130 11646	2SA1175J	Q508	9965 000 10994	2SC3199-GR/KTC3199-GR
			Q1058	4822 130 63144	2SA1267(YG)	Q508	9965 000 19583	TRANSISTOR 2SC2785(H)
			Q1058	9965 000 05644	TRANSISTOR 2SA1175(F)	Q508	9965 000 10994	2SC3199-GR/KTC3199-GR
			Q1058	9965 000 19587	TRANSISTOR 2SA1175(H)	Q508	9965 000 19583	TRANSISTOR 2SC2785(H)
			Q1059	4822 130 10103	KTC3199Y	Q509	4822 130 10103	KTC3199Y
			Q1059	4822 130 11647	2SC2785J	Q509	4822 130 11647	2SC2785J
			Q1059	4822 130 41306	2SC1815GR	Q509	4822 130 41306	2SC1815GR
			Q1059	9965 000 05643	TRANSISTOR 2SC2785(F)	Q509	9965 000 05643	TRANSISTOR 2SC2785(F)
			Q1059	9965 000 09882	TRANSISTOR BN1L4M-T	Q509	9965 000 09882	TRANSISTOR BN1L4M-T
			Q1059	9965 000 10994	2SC3199-GR/KTC3199-GR	Q509	9965 000 10994	2SC3199-GR/KTC3199-GR
			Q1059	9965 000 19583	TRANSISTOR 2SC2785(H)	Q509	9965 000 19583	TRANSISTOR 2SC2785(H)
			Q1201	4822 130 10103	KTC3199Y	Q510	4822 130 10098	KRC103M
			Q1201	4822 130 11647	2SC2785J	Q510	9965 000 05389	TRANSISTOR BA1F4M-T
			Q1201	4822 130 41306	2SC1815GR	Q511	4822 130 10103	KTC3199Y
			Q1201	9965 000 05643	TRANSISTOR 2SC2785(F)	Q511	4822 130 11647	2SC2785J
			Q1201	9965 000 09882	TRANSISTOR BN1L4M-T	Q511	4822 130 41306	2SC1815GR
			Q1201	9965 000 10994	2SC3199-GR/KTC3199-GR	Q511	9965 000 05643	TRANSISTOR 2SC2785(F)
			Q1201	9965 000 19583	TRANSISTOR 2SC2785(H)	Q511	9965 000 09882	TRANSISTOR BN1L4M-T
			Q1202	4822 130 10103	KTC3199Y	Q511	9965 000 10994	2SC3199-GR/KTC3199-GR
			Q1202	4822 130 11647	2SC2785J	Q511	9965 000 19583	TRANSISTOR 2SC2785(H)
			Q1202	4822 130 41306	2SC1815GR	Q510	4822 130 10098	KRC103M
			Q1202	9965 000 05643	TRANSISTOR 2SC2785(F)	Q510	9965 000 05389	TRANSISTOR BA1F4M-T
			Q1202	9965 000 09882	TRANSISTOR BN1L4M-T	Q511	4822 130 10103	KTC3199Y
			Q1202	9965 000 10994	2SC3199-GR/KTC3199-GR	Q511	4822 130 11647	2SC2785J
			Q1202	9965 000 19583	TRANSISTOR 2SC2785(H)	Q511	4822 130 41306	2SC1815GR
			Q1203	4822 130 11101	2SA1015GR	Q511	9965 000 05643	TRANSISTOR 2SC2785(F)
			Q1203	4822 130 42959	2SA1015Y	Q511	9965 000 09882	TRANSISTOR BN1L4M-T
			Q1204	4822 130 11101	2SA1015GR	Q511	9965 000 10994	2SC3199-GR/KTC3199-GR
			Q1204	4822 130 42959	2SA1015Y	Q511	9965 000 19583	TRANSISTOR 2SC2785(H)
			Q1351	4822 130 10103	KTC3199Y	Q513	4822 130 10098	KRC103M
			Q1351	4822 130 11647	2SC2785J	Q513	9965 000 05389	TRANSISTOR BA1F4M-T



Q514	4822 130 10923	KTC3199(BL)
Q514	4822 130 11692	2SC2785K
Q514	4822 130 41319	2SC1815BL
Q515	4822 130 10923	KTC3199(BL)
Q515	4822 130 11692	2SC2785K
Q515	4822 130 41319	2SC1815BL
Q611	4822 130 10098	KRC103M
Q611	9965 000 05389	TRANSISTOR BA1F4M-T
Q752	4822 130 10098	KRC103M
Q752	9965 000 05389	TRANSISTOR BA1F4M-T
Q775	9965 000 13683	CHIP TRANSISTOR KTC3875Y-RTK
Q776	9965 000 13683	CHIP TRANSISTOR KTC3875Y-RTK
JK101	9965 000 19578	RGB CONN. MRC-021V-05
JK120	2	9965 000 15322 RCA JACK(BLACK) MSP-281V2-B
JK140	1	9965 000 15323 S TYPE JACK MDC-050V-2.4
JK751	9965 000 15321	RCA JACK MSP-382V-12 PBSN
JK752	4822 265 11659	RCA JACK(YELLOW) MSP-281V4-B
JK753	4822 265 11661	RCA JACK(WHITE) MSP-281V1-B
JK754	9965 000 00423	MSP-281V3-A RCA JACK(RED)
JW001	9965 000 19579	FFC CABLE, 22P FFC/P1.00/200
JW002	9965 000 19580	FFC CABLE, 18P FFC/P1.00/200
JW004	9965 000 19581	FFC CABLE, 6P FFC/P1.25/90

MCV PWB

Various

1022	9965 000 14797	FUNCTION CBA (MCV-B)
1023	9965 000 19492	DVD OPEN/CLOSE CBA (MCV-C)

FUNCTION PWB

Various

FL200	1	9965 000 15338	V.F.D. 20U29100SAN
SW20	14	4822 276 13954	KSM0614B

—|—

C2004	9965 000 15295	ELECTROLYTIC CAP. 100UF/6.3V H	
C2055	9965 000 15337	ELECTROLYTIC CAP. 22UF/50V M H	
CN200	1	9965 000 15308	FMN CONNECTOR, SIDE 10P 10FMN-

—W—

R2002	4822 051 30103	10kΩ 5% 0.062W	
R2003	4822 051 30103	10kΩ 5% 0.062W	
R2010	9965 000 13036	CHIP RES.(1608) 1/10W J 1K OHM	
R2011	4822 051 30103	10kΩ 5% 0.062W	
R2038	4822 051 30103	10kΩ 5% 0.062W	
R2059	9965 000 09942	CHIP RES.(1608) 1/16W J 330K O	
RM200	1	9965 000 10857	REMOTE RECEIVER

—

L2001	4822 157 10649	100UH
-------	----------------	-------

—|—

D2001	4822 130 30621	1N4148
D2003	4822 130 30621	1N4148
D2004	4822 130 30621	1N4148
D2005	4822 130 30621	1N4148

IC2001	9965 000 15339	FL DRIVER IC PT6315-S(-TP)
Q2022	4822 130 42959	2SA1015Y

AFV PWB

Various

X1	9965 000 12200	X'TAL 18.432MHZ
----	----------------	-----------------

—|—

C12	9965 000 14891	ELECTROLYTIC CAP. 10UF/16V M H
C15	9965 000 14891	ELECTROLYTIC CAP. 10UF/16V M H
C16	9965 000 14891	ELECTROLYTIC CAP. 10UF/16V M H
C20	9965 000 14892	ELECTROLYTIC CAP. 3.3UF/50V M
C22	9965 000 14891	ELECTROLYTIC CAP. 10UF/16V M H
C24	9965 000 14893	ELECTROLYTIC CAP. 0.22UF/50V M
CN1	4822 265 11267	ANGLE PIN HEADER 9P

—W—

R1	9965 000 13036	CHIP RES.(1608) 1/10W J 1K OHM
R2	9965 000 09942	CHIP RES.(1608) 1/16W J 330K O
R4	9965 000 13037	CHIP RES.(1608) 1/10W J 120K O
R5	9965 000 09942	CHIP RES.(1608) 1/16W J 330K O
R6	9965 000 09942	CHIP RES.(1608) 1/16W J 330K O
R7	9965 000 09966	CHIP RES.(1608) 1/10W J 390K O

—

L1	4822 157 10889	10UH
L3	4822 157 11318	18UH 10%
L4	4822 157 10889	10UH

—|—

D2	4822 130 30621	1N4148
D2	4822 130 32778	1SS133

—

IC1	9965 000 14760	AUD UP MSP3417G-QG-B8-V3
-----	----------------	--------------------------

PSV PWB

Various

1042	9965 000 19495	JUNCTION CBA (PSV-B)
------	----------------	----------------------

FRONT PWB

Various

SW65	1	4822 276 13954	KSM0614B
SW65	1	4822 276 14127	SKQSAF001A
SW65	1	9965 000 19590	TACT SWITCH TC-1104(H=9.5)
SW65	2	4822 276 13954	KSM0614B
SW65	2	4822 276 14127	SKQSAF001A
SW65	2	9965 000 19590	TACT SWITCH TC-1104(H=9.5)
SW65	3	4822 276 13954	KSM0614B

SW65	3	4822 276 14127	SKQSAF001A
SW65	3	9965 000 19590	TACT SWITCH TC-1104(H=9.5)

—|—

CN651	9965 000 09301	FE CONNECTOR, TOP 6P 06FE-BT-V
-------	----------------	-----------------------------------

—|—

D561	4822 130 82978	LTL-16KPE-P
D561	9965 000 08621	LED(RED) 204HD/E
D562	4822 130 10685	LTL4231N-001
D562	9965 000 08623	LED(GREEN) 204-10GD/S957
D563	4822 130 10685	LTL4231N-001
D563	9965 000 08623	LED(GREEN) 204-10GD/S957

SENSOR PWB

—

Q503	9965 000 08630	PHOTO TRANSISTOR PT204-6B-12
Q503	9965 000 18096	PHOTO TRANSISTOR MID-32A22
Q504	9965 000 08630	PHOTO TRANSISTOR PT204-6B-12
Q504	9965 000 18096	PHOTO TRANSISTOR MID-32A22

Revision List

New parts list added and old parts list removed.

July 7 2003